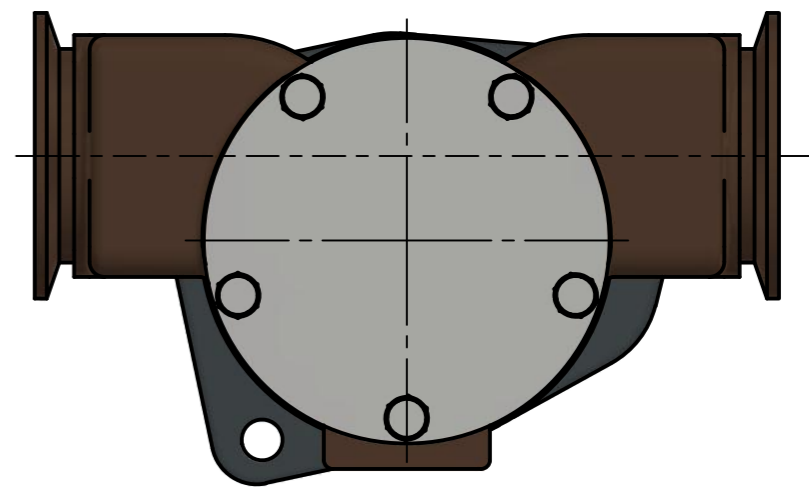
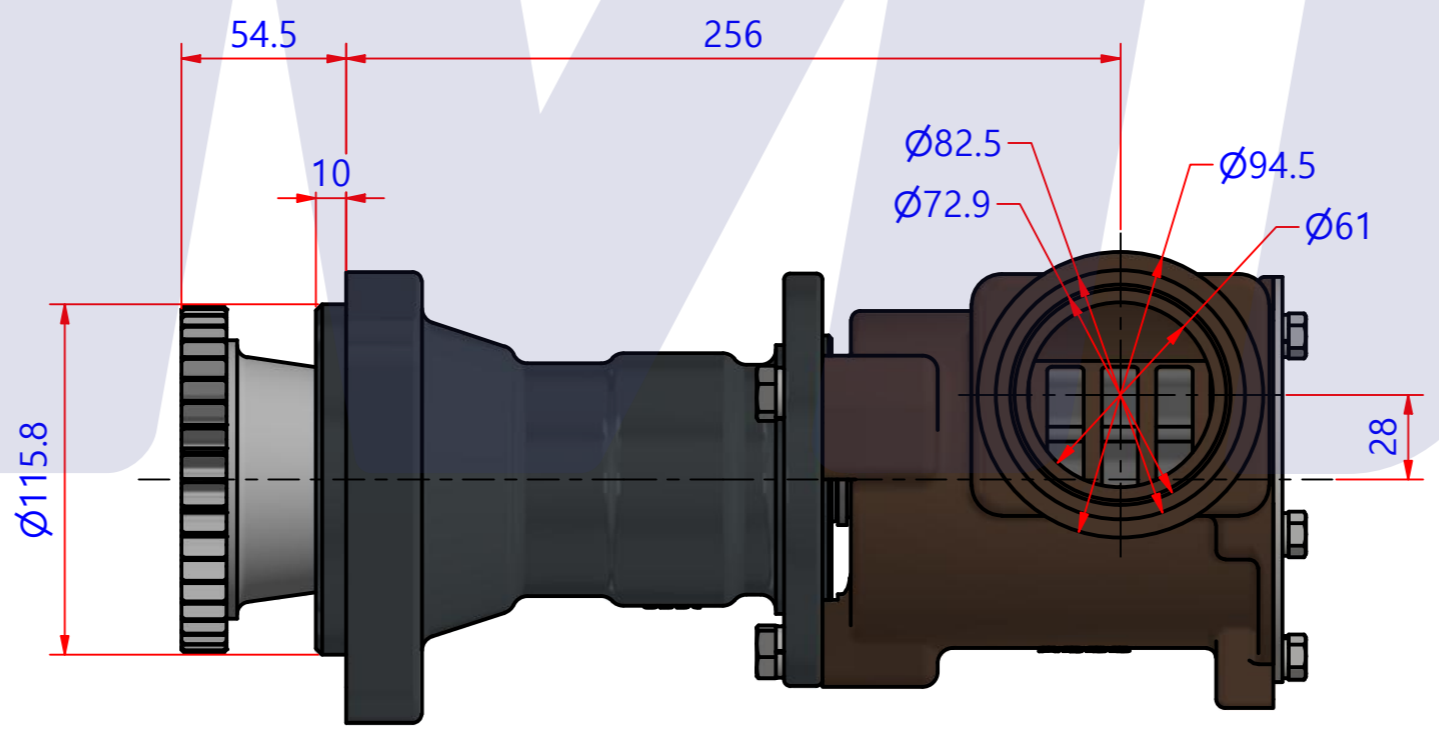
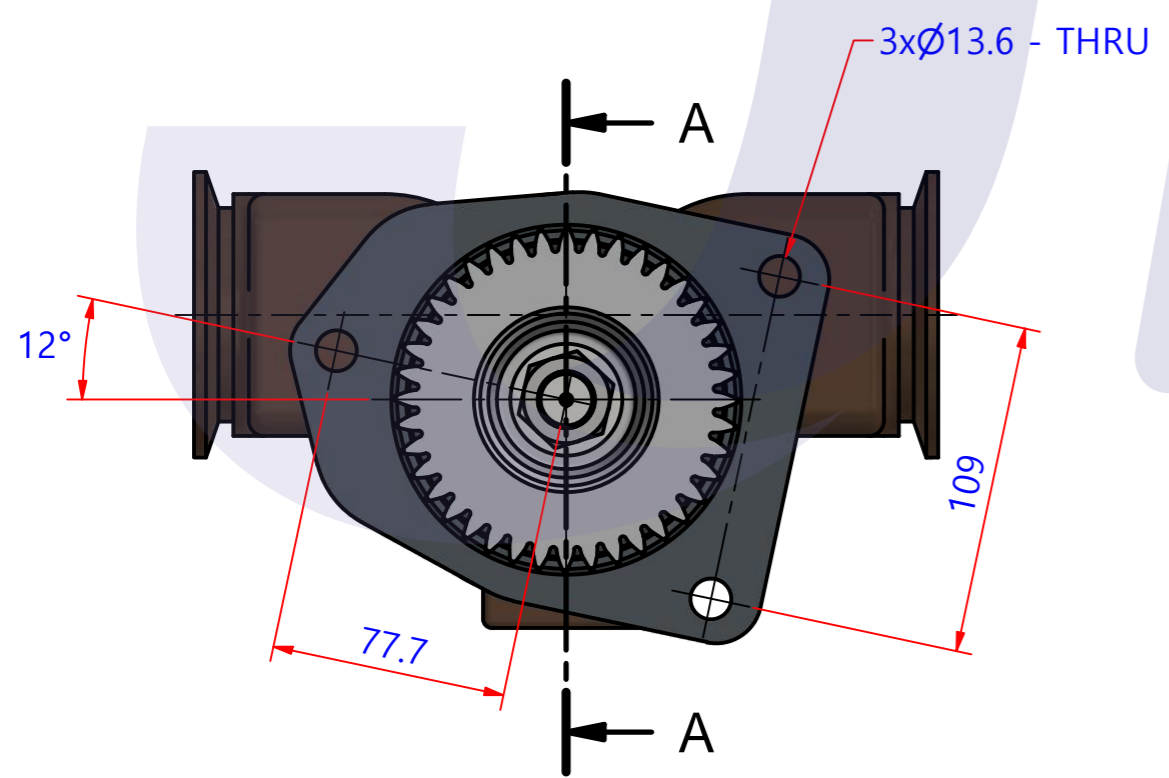
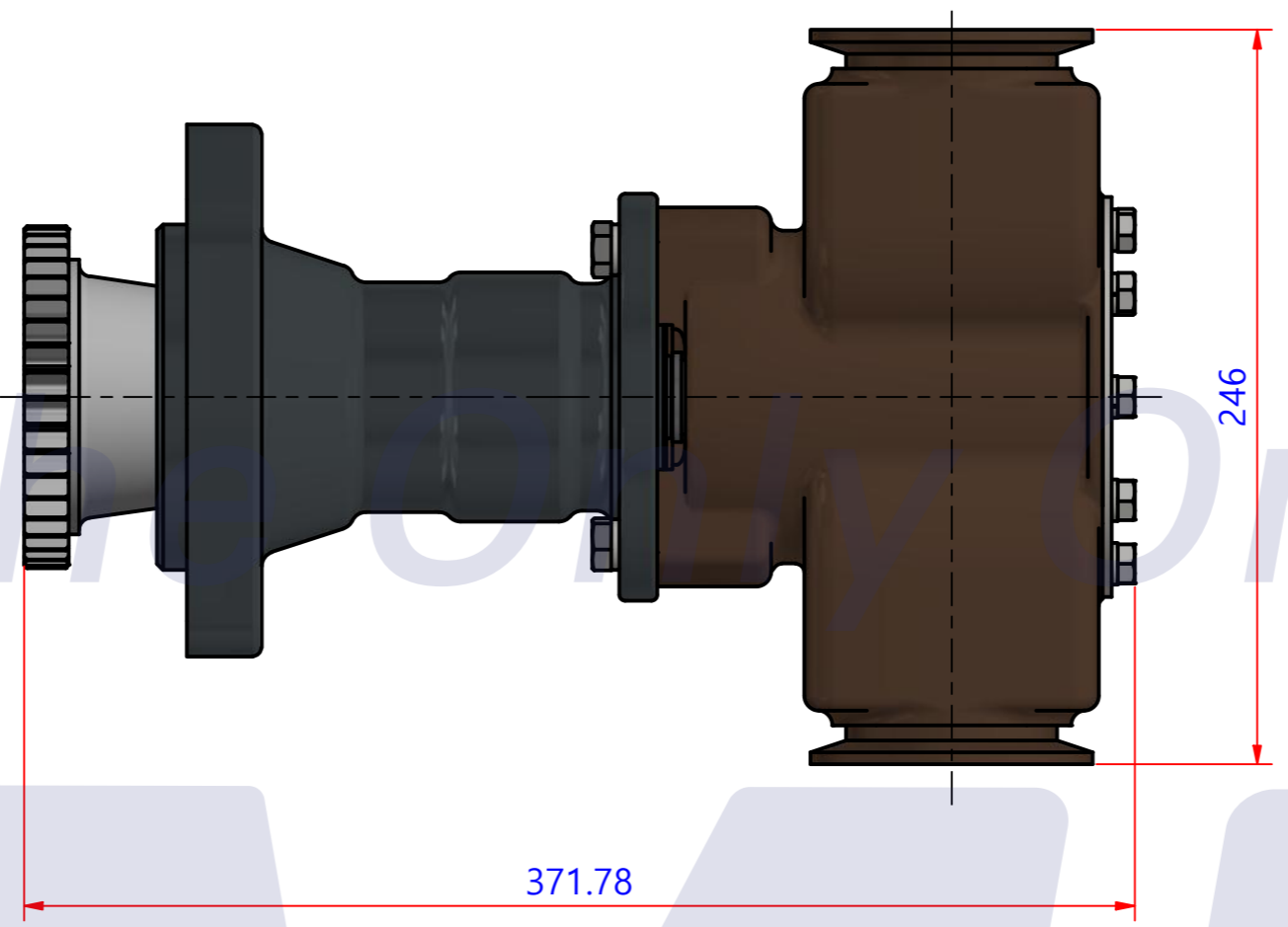
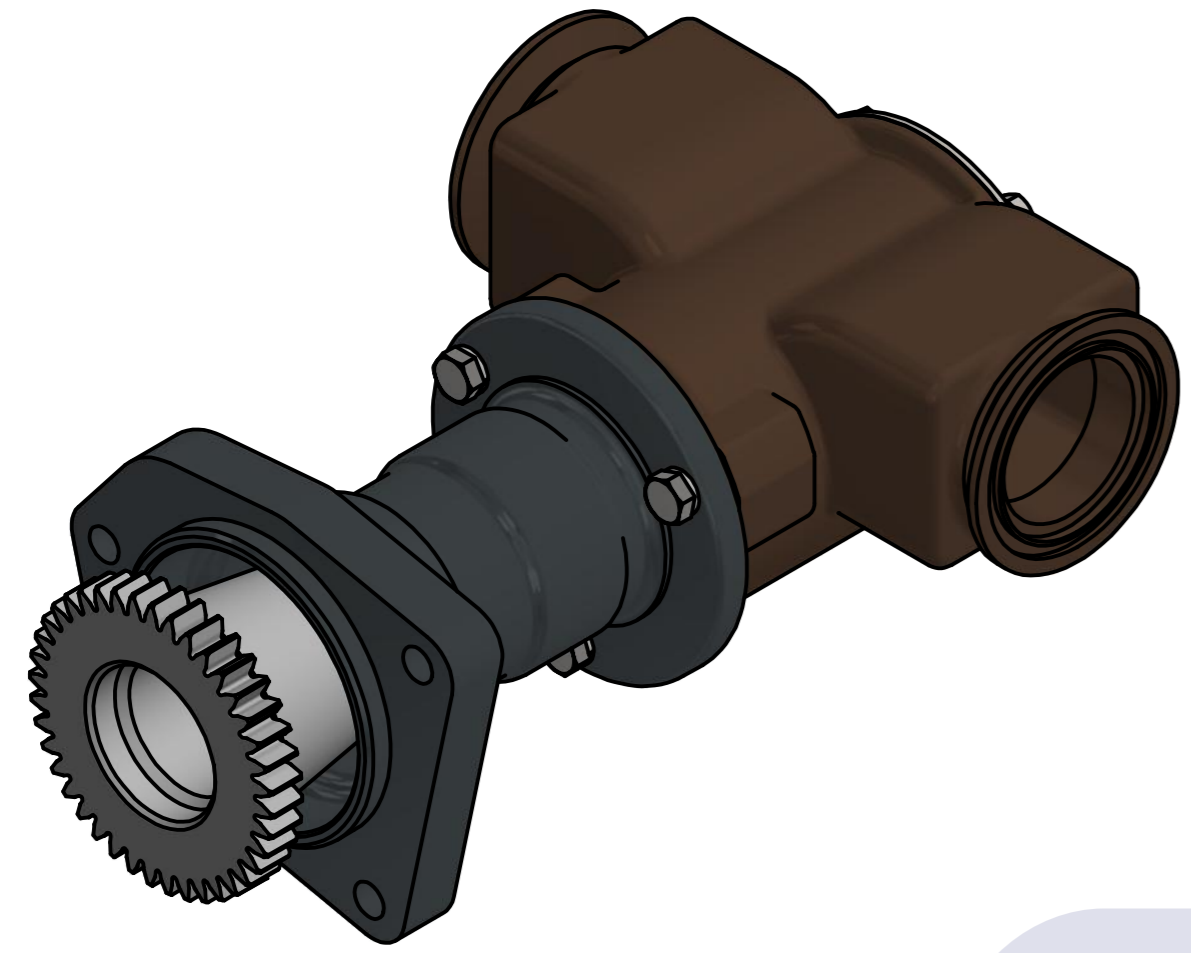
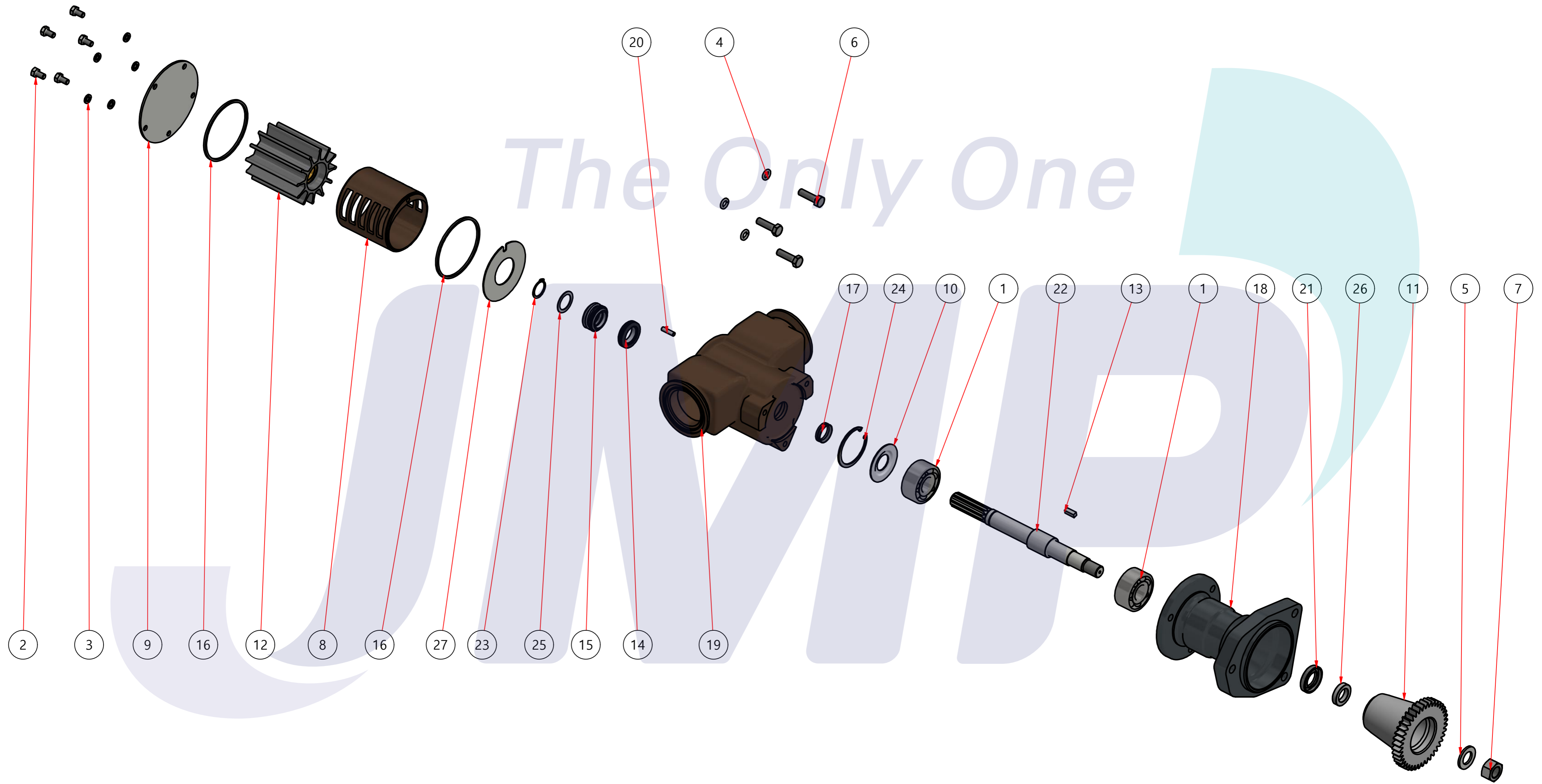


PART LIST					
No.	QTY	PART NUMBER	PART NAME	MAT	DESCRIPTION
1	1	PUA0187	PUMP ASSY		JPR-CT1800R



Drawing by	Checked by	Approved by - date	Model Name	Date	Scale
M.J.KANG	C.I, JEON		JPR-CT1800R	2018-12-27	1 : 1
			<b>PUMP ASSY</b>		
			PART NUMBER	Edition	Sheet
			PUA0187(0)	0	A2

PART LIST					
No.	QTY	PART NUMBER	PART NAME	MAT	DESCRIPTION
1	1	PUA0187	PUMP ASSY		JPR-CT1800R



Drawing by	Checked by	Approved by - date	Model Name	Date	Scale
M.J.KANG	C.I, JEON		JPR-CT1800R	2019-01-31	1:1
			<b>PUMP PARTS VIEW</b>		
			PART NUMBER	Edition	Sheet
			PUA0187(0)	0	A2

품 번	PUA0187
품 명	CT1800R

A: MAJOR KIT B: MINOR KIT C: CAM SET D: M-SEAL SET E: IMPELLER KIT

No.	QTY	PART NUMBER	PART NAME	A (JSK0139)	B (JSM0139)	C (CAMSET0032)	D (MCSSET0027)	E (JIKJMP049)
1	2	BER0063	BEARING	X				
2	5	BOL0006	HEX BOLT	X	X			
3	5	BOL0036	SPRING WASHER	X	X			
4	3	BOL0038	SPRING WASHER	X				
5	1	BOL0058	FLAT WASHER	X				
6	3	BOL0194	HEX BOLT.	X				
7	1	BOL0195	HEX NUT	X				
8	1	CAM0032	CAM	X	X	X		
9	1	COV0038	COVER	X	X			
10	1	COV0041	BER COVER	X				
11	1	GEA0038	GEAR					
12	1	IMP0057	RUBBER IMPELLER	X	X			X
13	1	KEY0034	KEY	X				
14	1	MCS0010	CERAMIC	X	X		X	
15	1	MCS0037	CARBON	X	X		X	
16	2	ORG0043	QUAD-RING	X	X	X (1)		X (1)
17	1	ORG0054	V-RING	X				
18	1	PBC0282	PUMP CASING / BER					
19	1	PBC0283	PUMP CASING / IMP					
20	1	PIN0011	PIN	X				
21	1	RET0042	RETAINER	X				
22	1	SHA0147	SHAFT	X				
23	1	SNP0008	SNAP-RING	X	X			
24	1	SNP0013	SNAP-RING	X				
25	1	SPC0012	SHIM	X	X			
26	1	SPC0036	GEAR SPACER	X				
27	1	WER0020	WEAR PLATE	X	X			