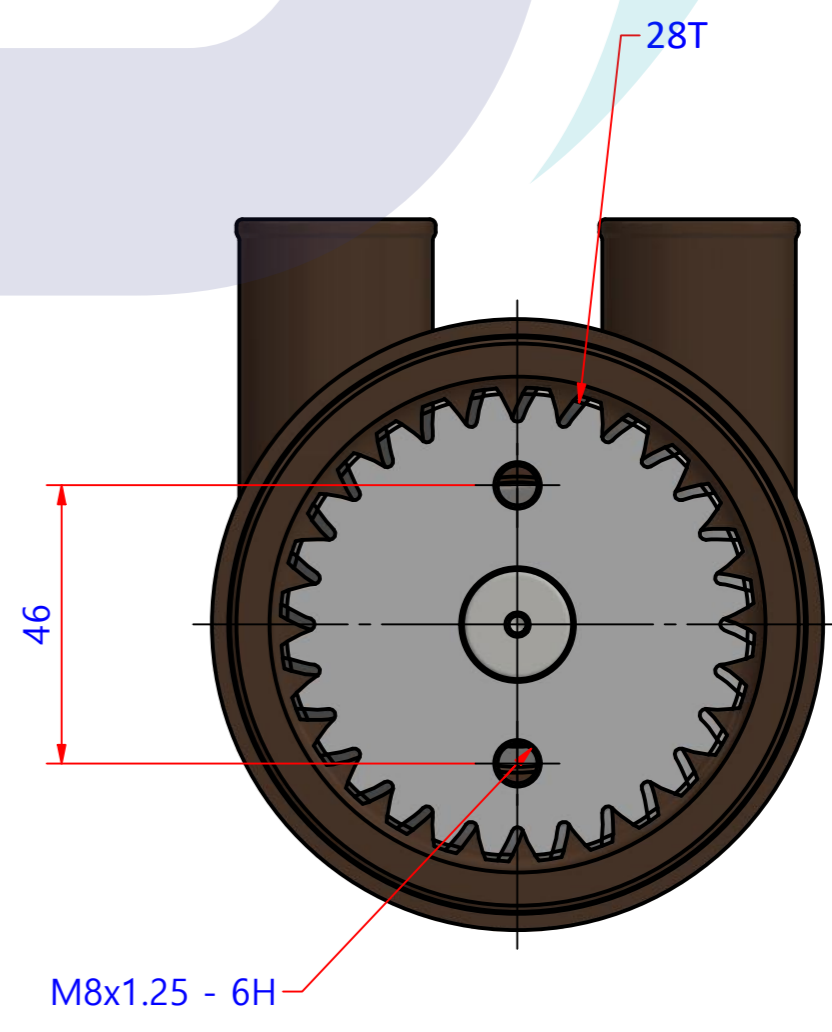
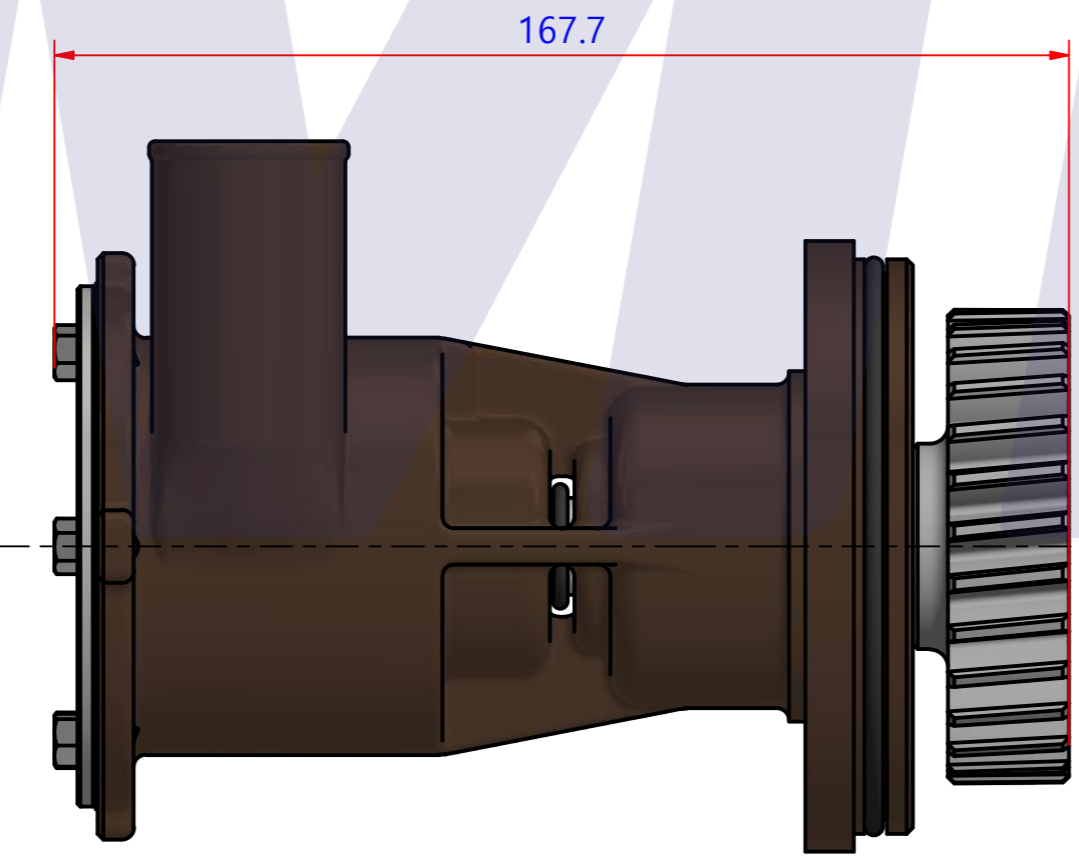
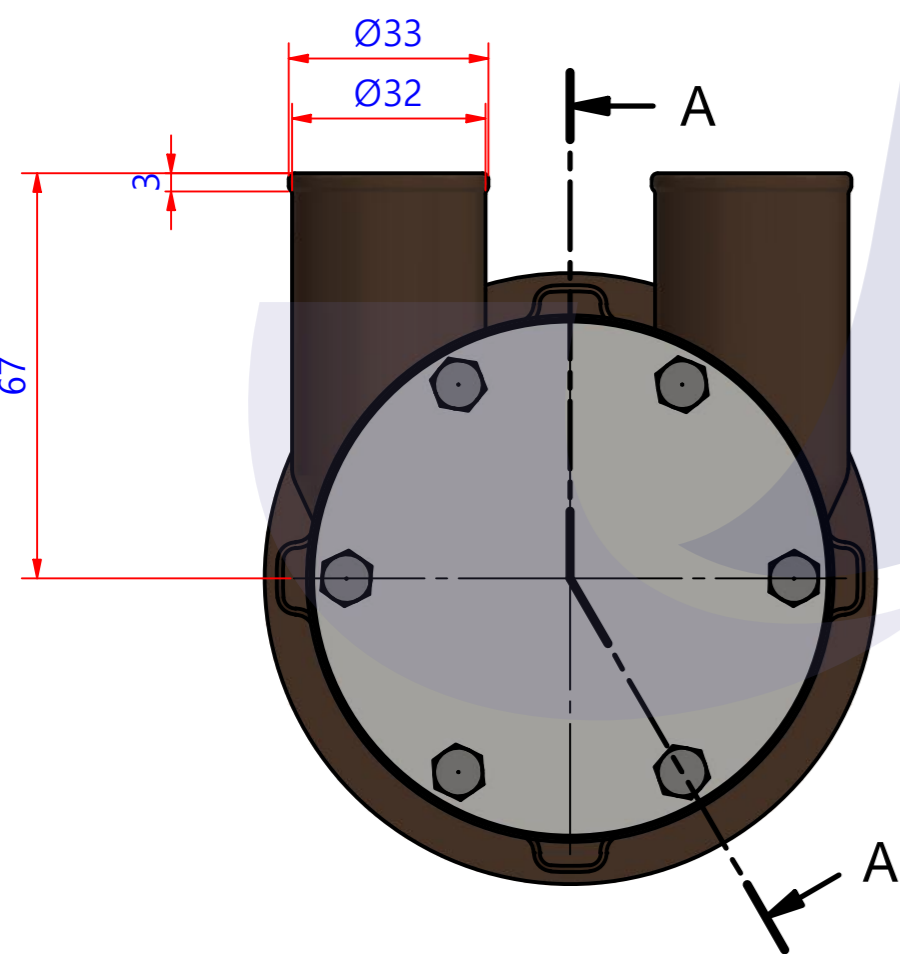
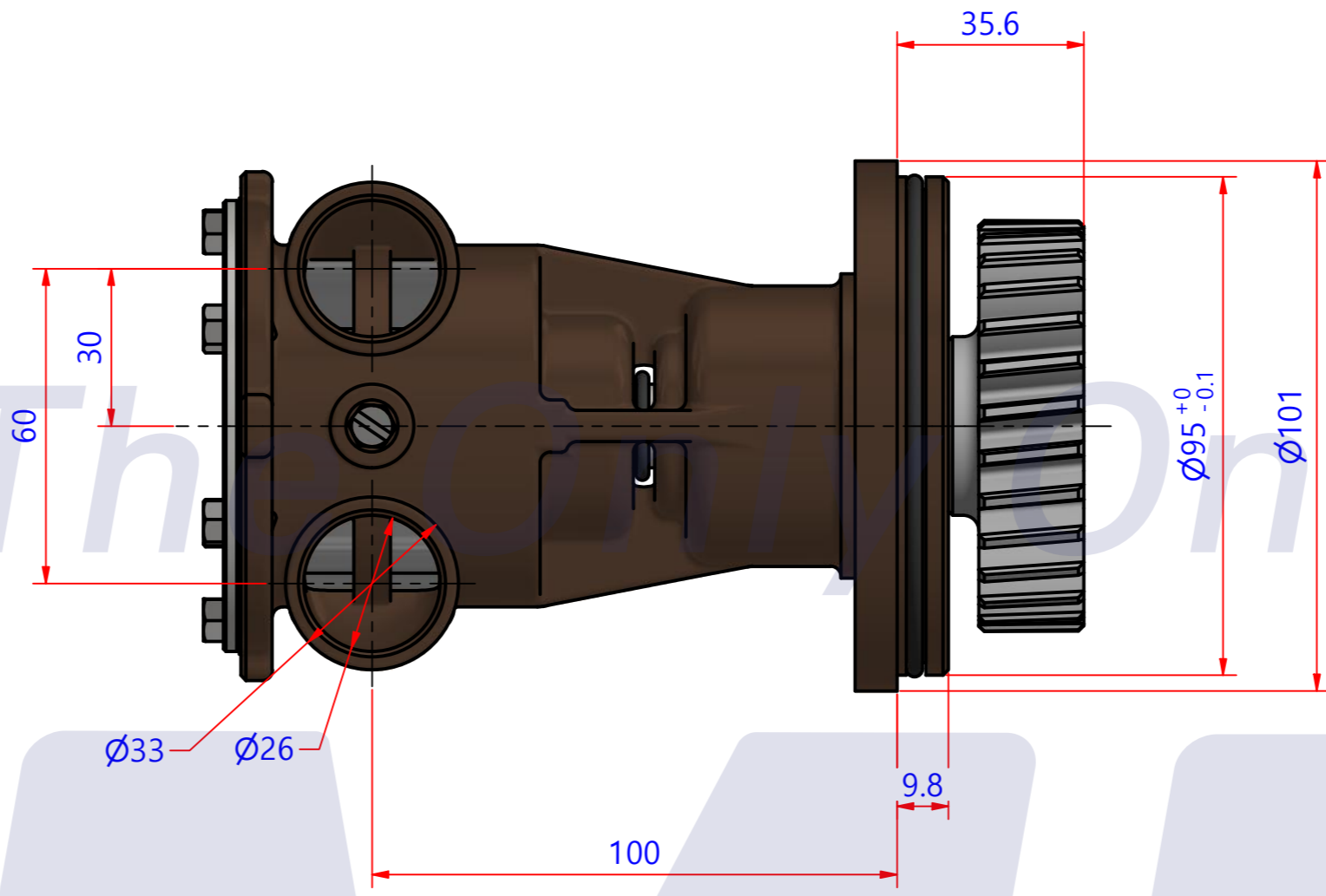
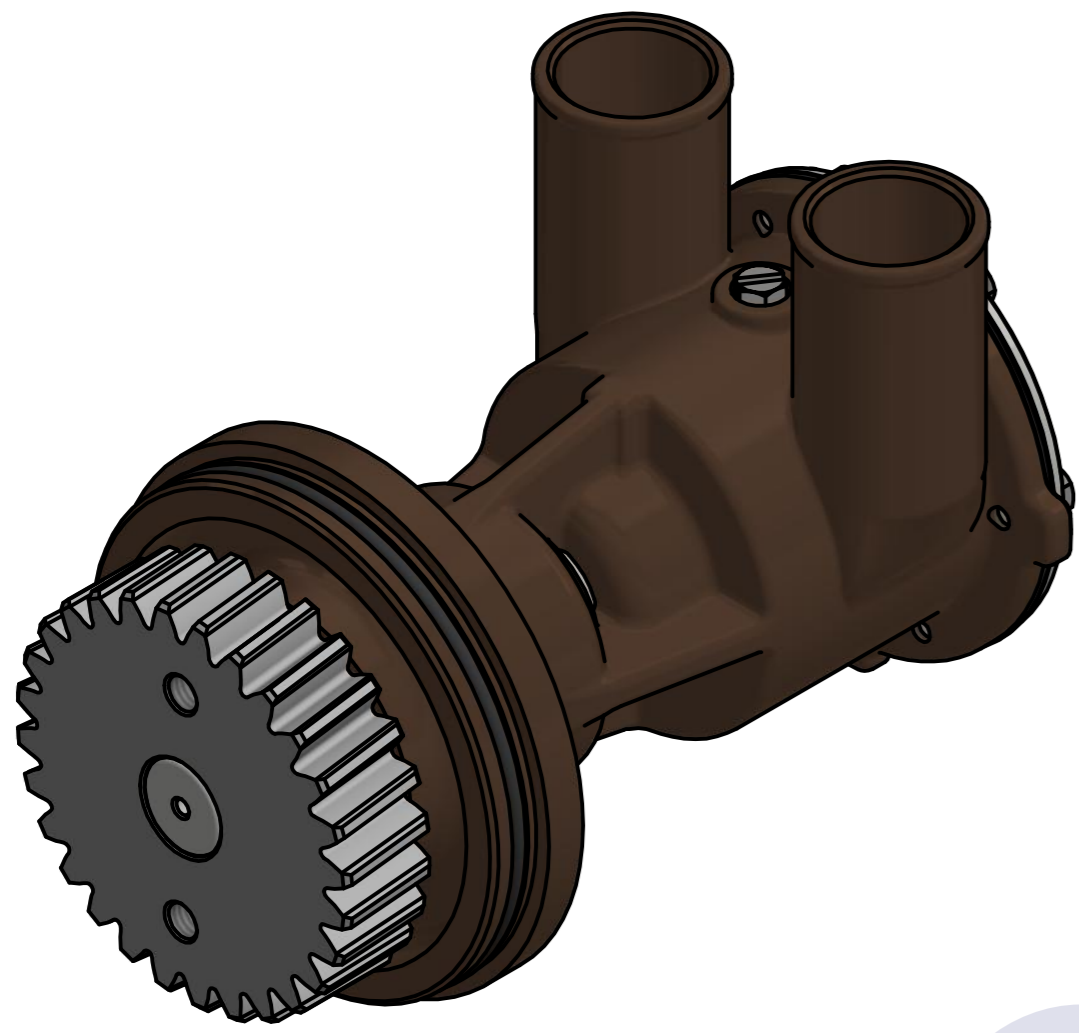
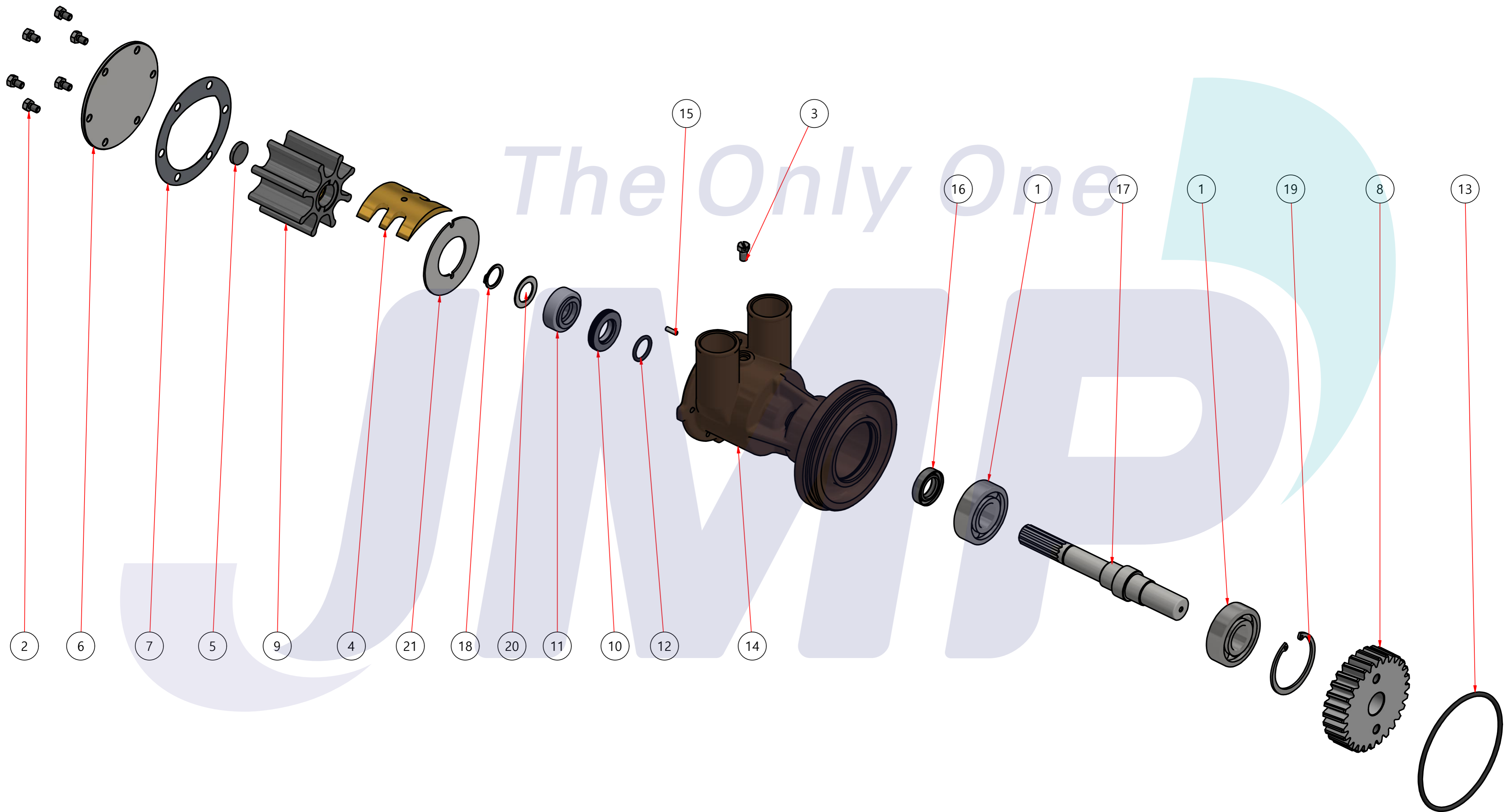


PART LIST					
No.	QTY	PART NUMBER	PART NAME	MAT	DESCRIPTION
1	1	PUA0174	PUMP ASSY		JPR-CT3054



Drawing by	Checked by	Approved by - date	Model Name	Date	Scale
M.J.KANG	C.I, JEON		JPR-CT3054	2018-06-28	1 : 1
			PUMP ASSY		
			PART NUMBER	Edition	Sheet
			PUA0174(0)	0	A2

PART LIST					
No.	QTY	PART NUMBER	PART NAME	MAT	DESCRIPTION
1	1	PUA0174	PUMP ASSY		JPR-CT3054



Drawing by	Checked by	Approved by - date	Model Name	Date	Scale
M.J.KANG	C.I, JEON		JPR-CT3054	2018-07-03	1:1
			PUMP PARTS VIEW		
			PART NUMBER	Edition	Sheet
			PUA0174(0)	0	A2

품 번	PUA0174
품 명	JPR-CT3054

A: MAJOR KIT B: MINOR KIT C: CAM SET D: M-SEAL SET E: IMPELLER KIT

No.	QTY	PART NUMBER	PART NAME	A (JSK0142)	B (JSM0142)	C (CAMSET0046)	D (MCSSET0008)	E (JIKJMP024)
1	2	BER0035	BEARING	X				
2	6	BOL0163	HEX BOLT	X	X			
3	1	BOL0207	SCREW	X	X	X		
4	1	CAM000303	CAM	X	X	X		
5	1	CAP0002	IMP CAP					
6	1	COV0063	COVER	X	X			
7	1	GAK0016	GASKET	X	X			X
8	1	GEA0034	GEAR					
9	1	IMP0005	RUBBER IMPELLER	X	X			X
10	1	MCS0013	CERAMIC	X	X		X	
11	1	MCS0016	CARBON	X	X		X	
12	1	ORG0044	O-RING	X	X			
13	1	ORG0057	O-RING	X				
14	1	PBC0268	PUMP CASING					
15	1	PIN0001	PIN					
16	1	RET0013	RETAINER	X				
17	1	SHA0158	SHAFT	X				
18	1	SNP0006	SNAP-RING	X	X			
19	1	SNP0010	SNAP-RING	X				
20	1	SPC0019	SPACER	X	X			
21	1	WER0029	WEAR PLATE	X	X			