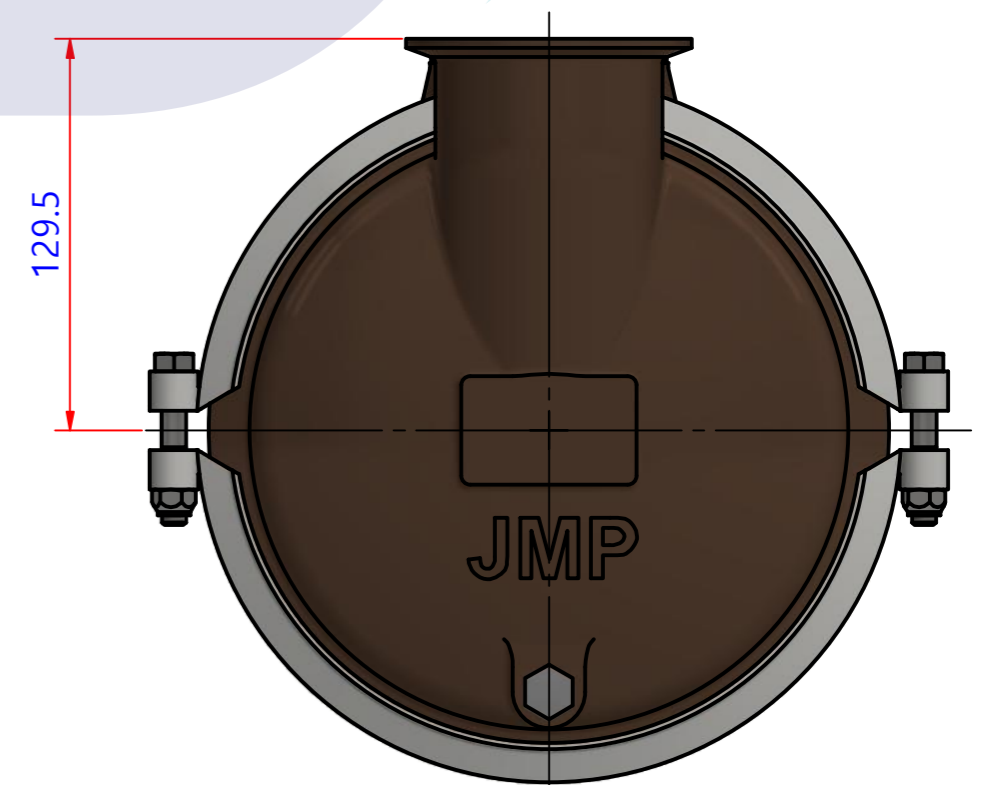
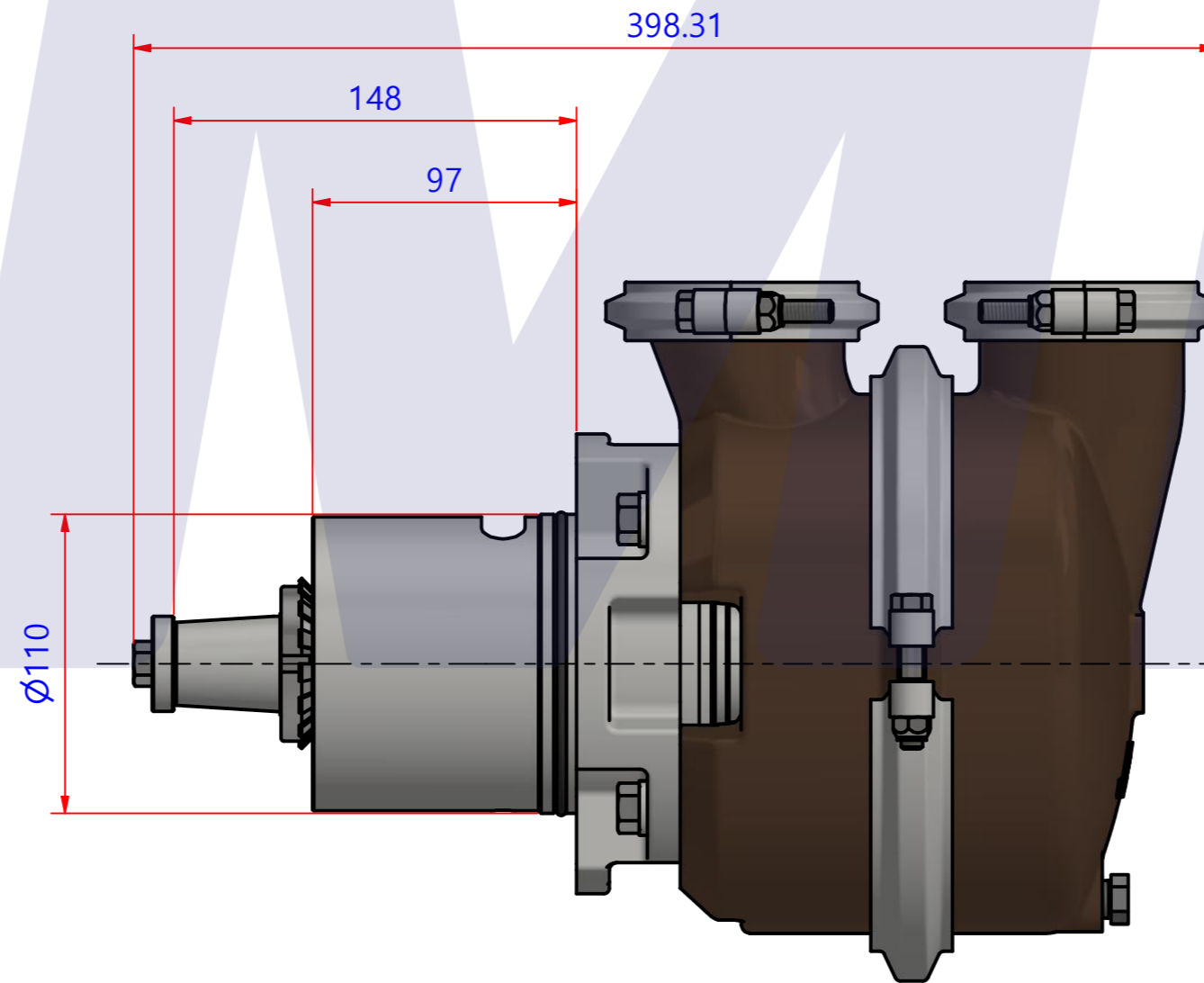
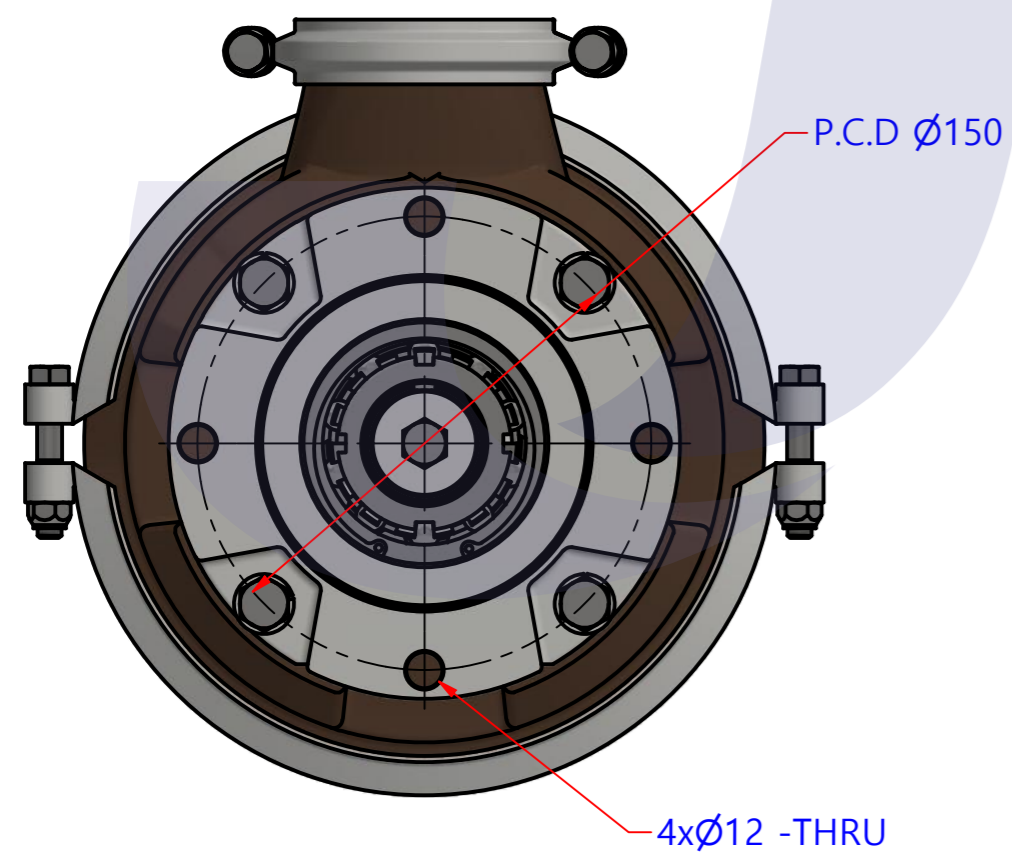
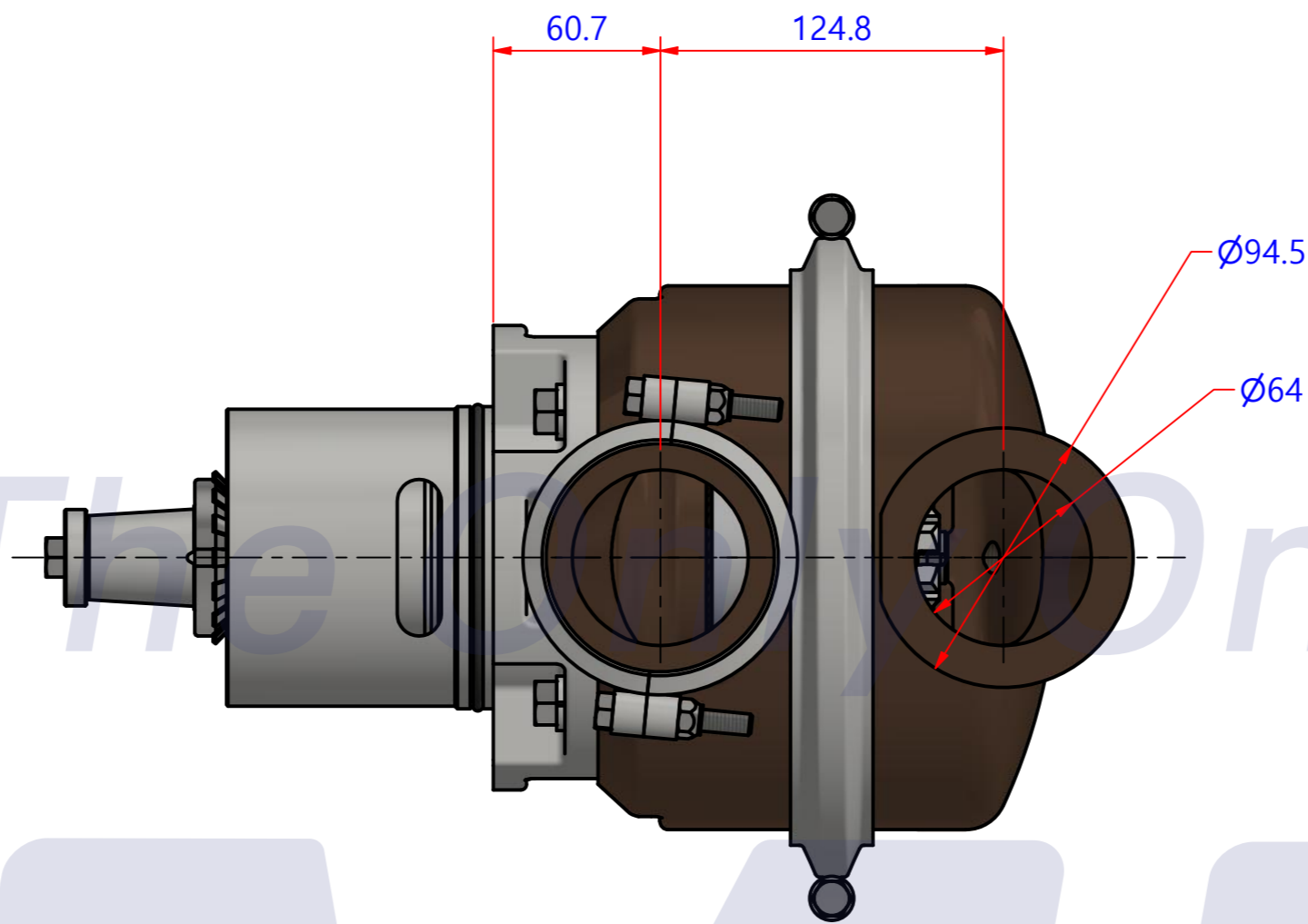
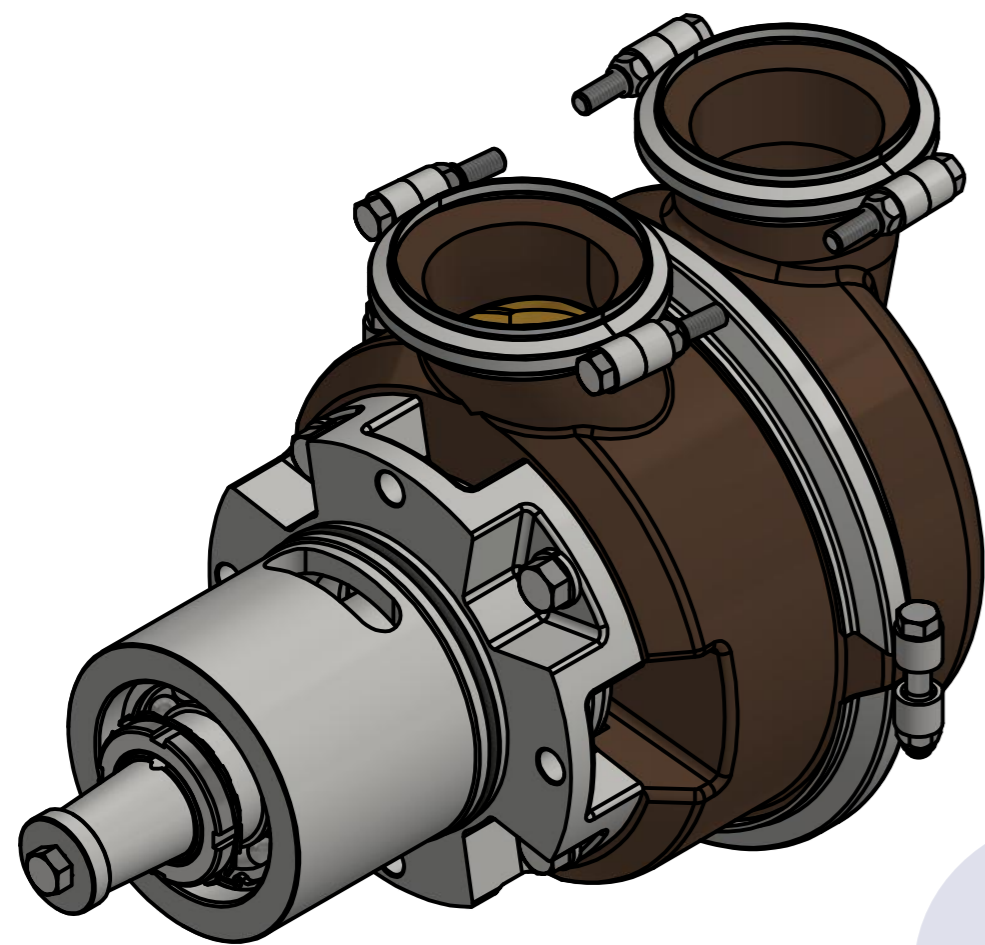
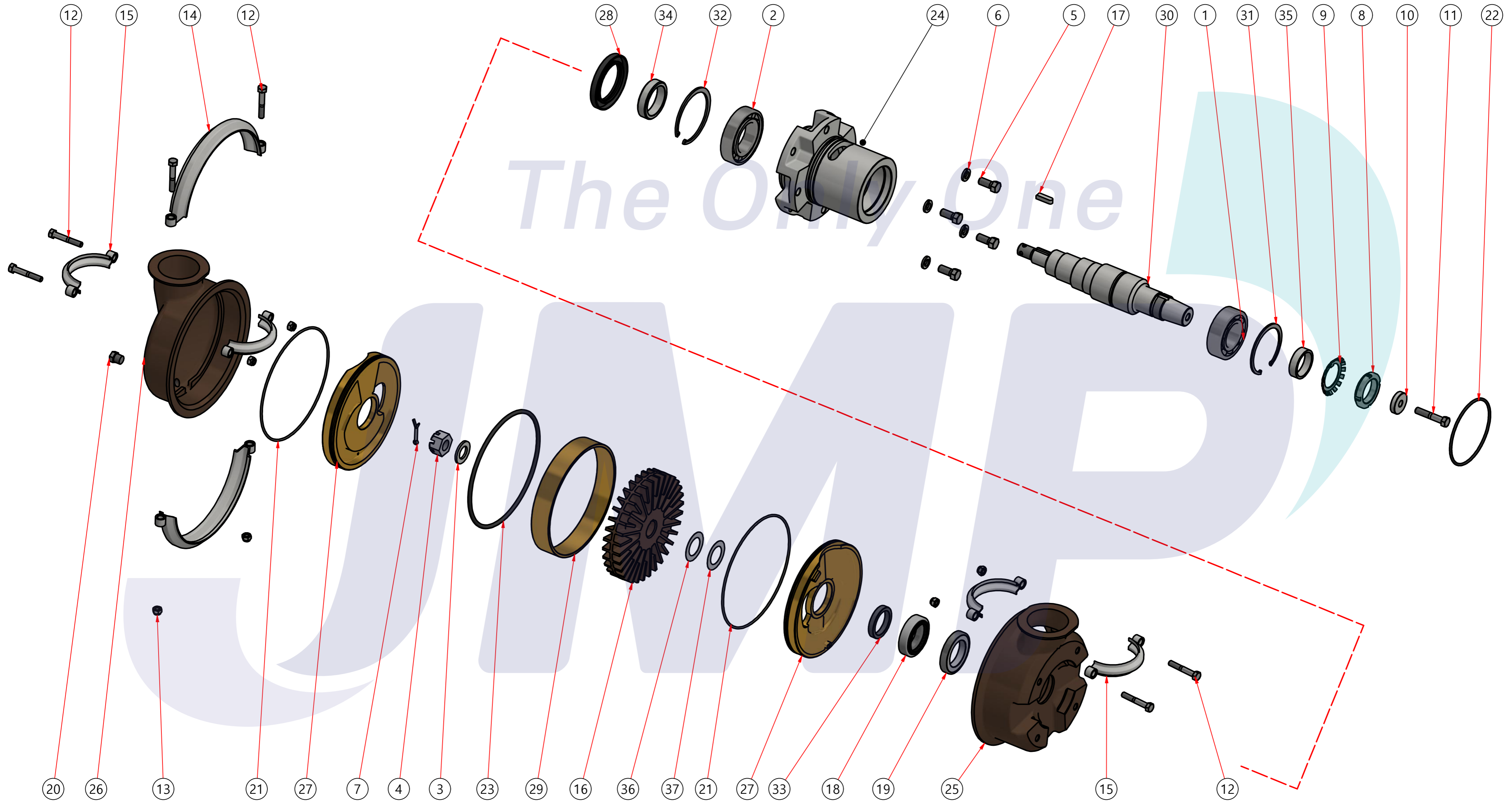


부품 리스트					
항목	수량	부품번호	주제	재질	설명
1	1	PUA006301	PUMP ASSY		JPR-CT3412



Drawing by C.H HWANG	Checked by C.I. JEON	Approved by - date	Model Name JPR-CT3412	Date 2020-09-21	Scale 0.4:1
		PUMP ASSY		Edition 0	Sheet A2
		PART NUMBER PUA006301(0)			

PART LIST					
No.	QTY	PART NUMBER	PART NAME	MAT	DESCRIPTION
1	1	PUA006301	PUMP ASSY		JPR-CT3412



Drawing by 강 명진	Checked by Y.D. JEON	Approved by - date	Model Name JPR-CT3412	Date 2014-02-26	Scale 1 : 1
			PUMP PART'S VIEW		
			PART NUMBER PUA006301(0)	Edition 0	Sheet A2

품번	PUA006301
품명	JPR-CT3412

A: MAJOR KIT B: M-SEAL KIT C: M-SEAL SET D: PORT PIECE E: IMPELLER F: CLAMP(L) G: CLAMP(S) H: SHAFT

No.	QTY	PART NUMBER	PART NAME	A (JSK0124)	B (JMK0002)	C (MCSSET0009)	D (PORT001G)	E (JIMP0026)	F (CLP0100)	G (CLP0101)	H (SHA0048G)
1	1	BER0037	BEARING	X							
2	1	BER0038	BEARING	X							
3	1	BOL0058	FLAT WASHER	X							
4	1	BOL0076	LOCK NUT	X							X
5	4	BOL0082	HEX BOLT								
6	4	BOL0083	SPRING WASHER								
7	1	BOL0097	COTTER PIN	X	X						
8	1	BOL0110	SLOTTED NUT	X							
9	1	BOL0111	LOCK WASHER	X							
10	1	BOL0112	FLAT WASHER	X							
11	1	BOL0113	HEX BOLT	X							
12	6	BOL0114	HEX BOLT						X (2)	X (2)	
13	6	BOL0115	NUT						X (2)	X (2)	
14	2	CLP0001	CLAMP (L)						X		
15	4	CLP0002	CLAMP (S)							X (2)	
16	1	IMP0026	ALBC IMPELLER	X				X			
17	1	KEY0017	KEY	X							X
18	1	MCS0017	CARBON	X	X	X					
19	1	MCS0023	CERAMIC	X	X	X					
20	1	NIP0008	PLUG	X							
21	2	ORG0023	O-RING	X			X (1)				
22	1	ORG0024	O-RING	X							
23	1	ORG0029	O-RING	X	X						
24	1	PBC0108	PUMP CASING / BER1								
25	1	PBC0110	PUMP CASING / IMP1								
26	1	PBC0111	PUMP CASING / IMP2								
27	2	PORT001	PORT PIECE	X			X (1)				
28	1	RET0020	RETAINER	X	X						
29	1	RIG0001	DISTANCE RING	X							
30	1	SHA0048	SHAFT	X							X
31	1	SNP0016	SNAP-RING	X							
32	1	SNP0018	SNAP-RING	X							
33	1	SPC0003	SPACER	X	X						
34	1	SPC0005	SPACER	X							
35	1	SPC0006	SPACER	X							
36	1	SPC0007	SHIM	X							
37	1	SPC0008	SHIM	X							