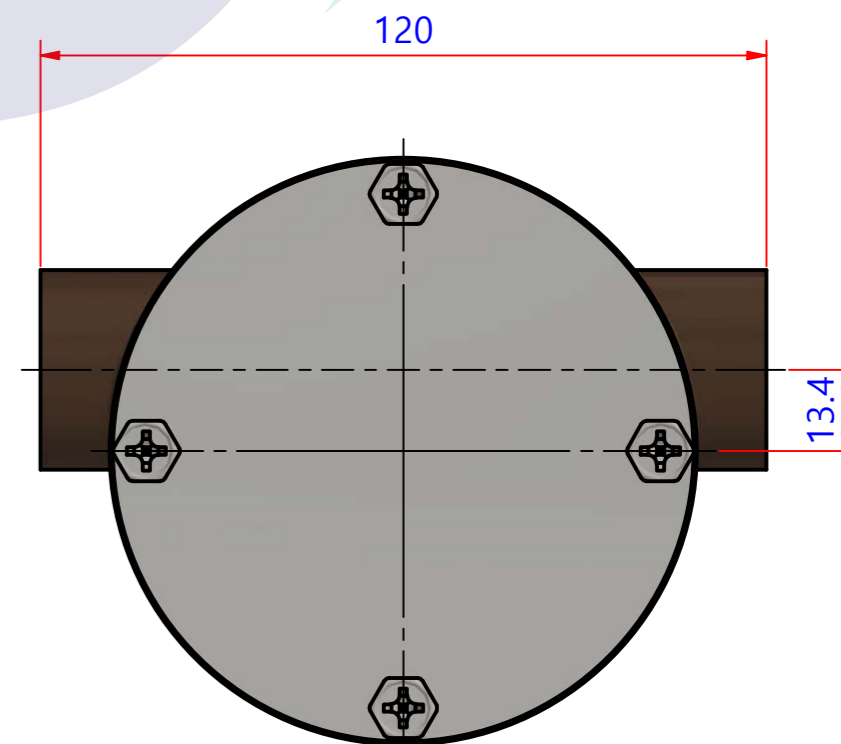
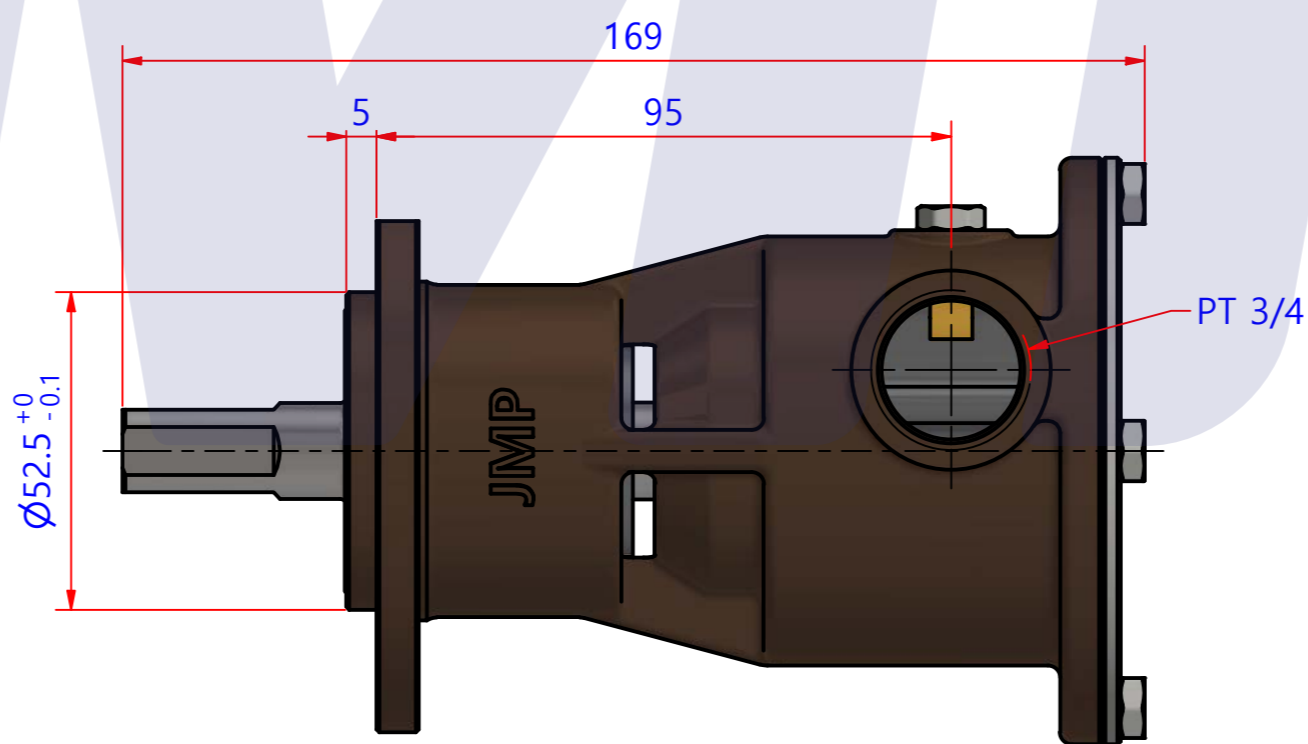
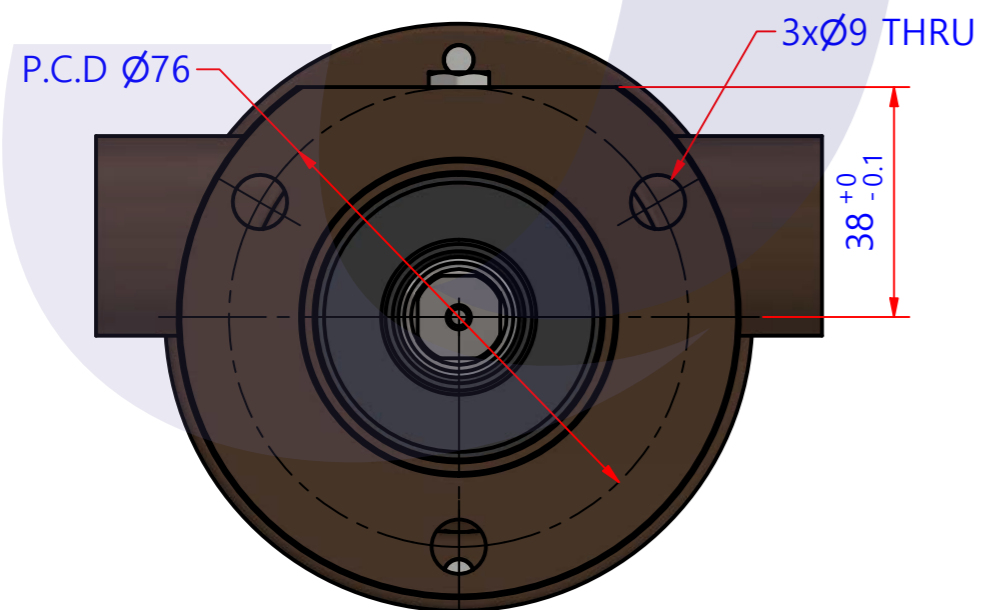
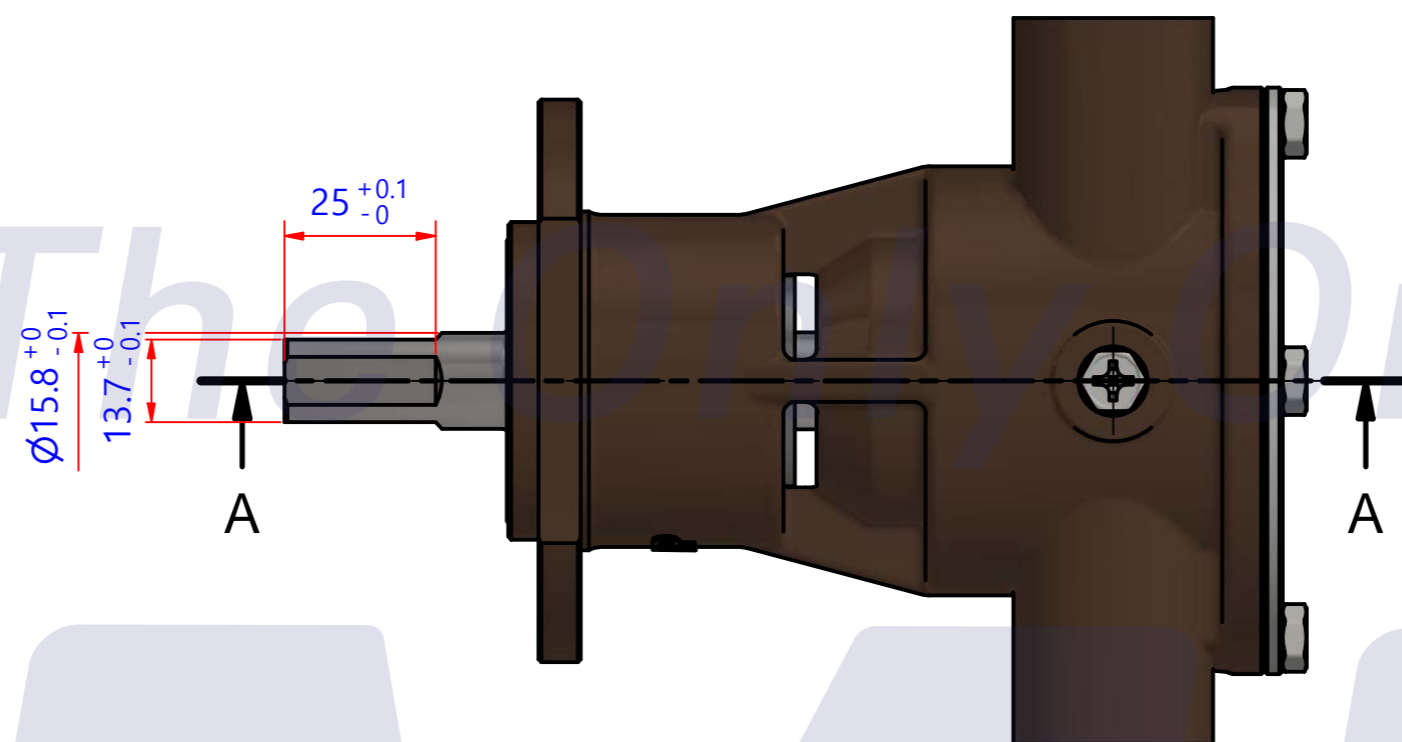
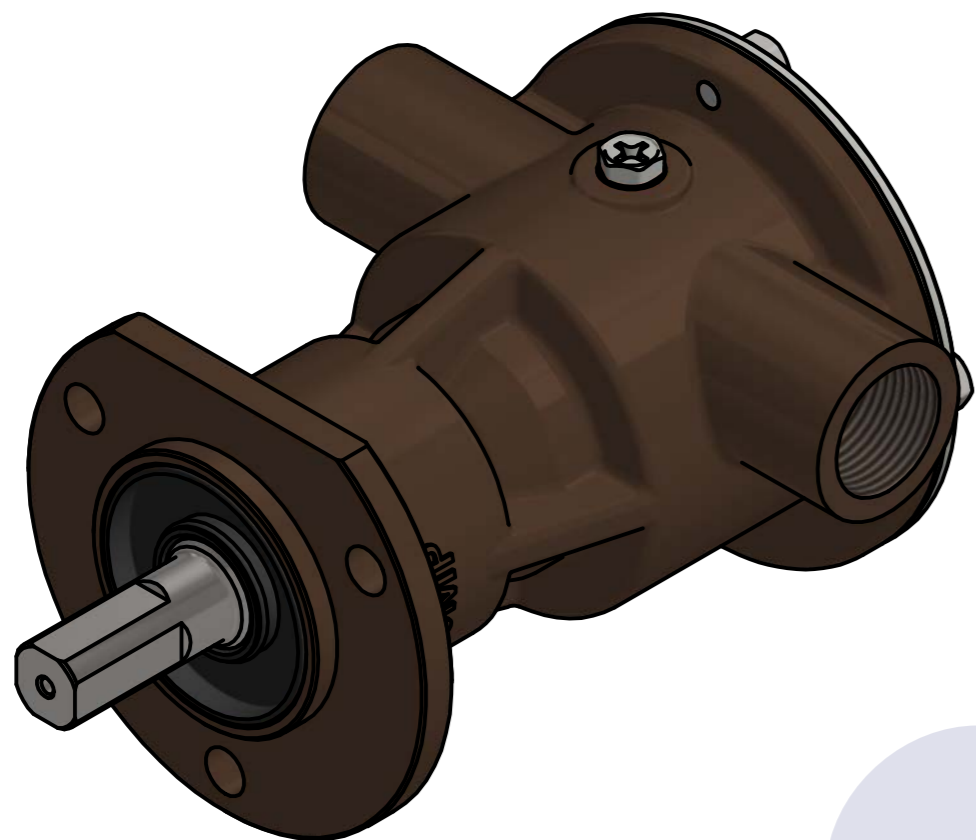
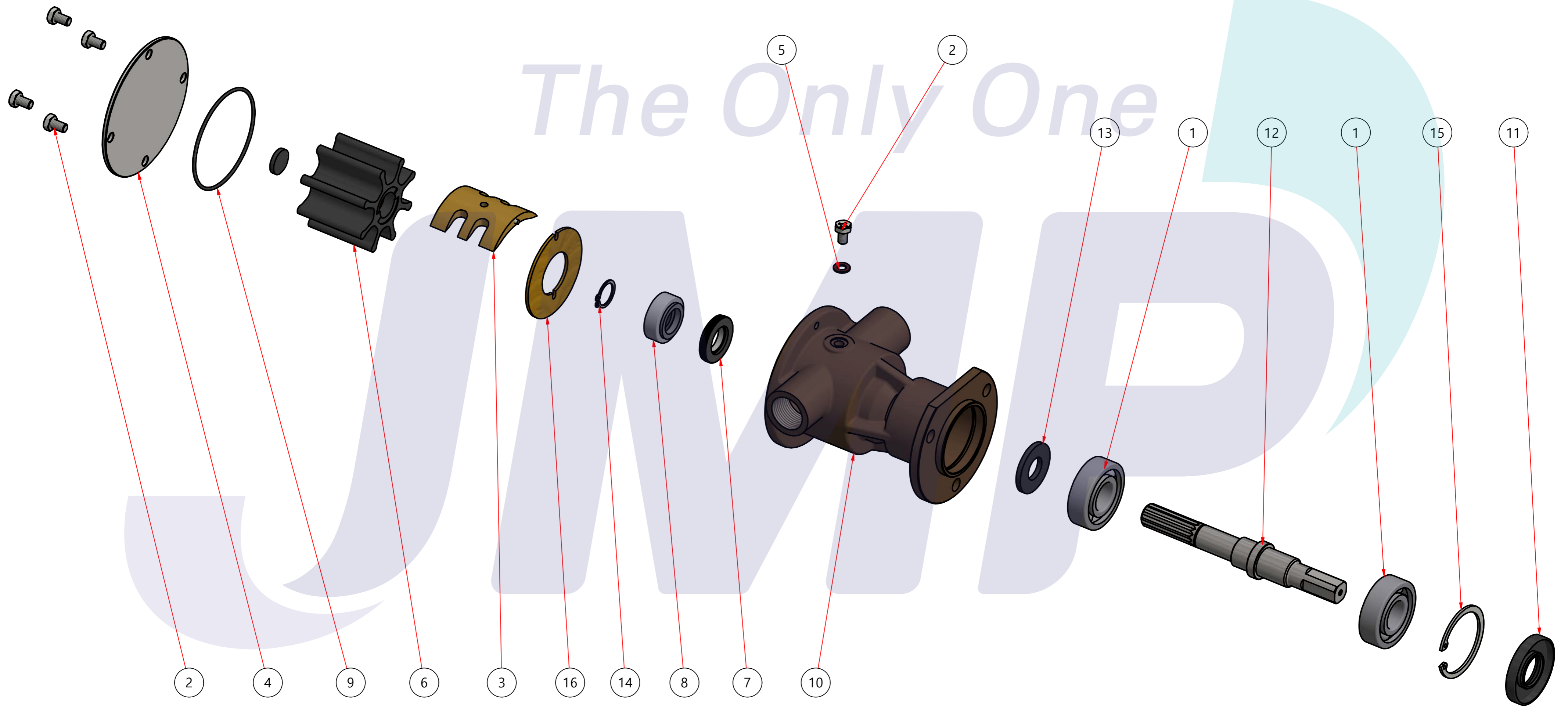


PART LIST					
No.	QTY	PART NUMBER	PART NAME	MAT	DESCRIPTION
1	1	PUA0112	PUMP ASSY		JPR-NL20IP



Drawing by	Checked by	Approved by - date	Model Name	Date	Scale
강 명진	Y.D. JEON		JPR-NL20IP	2014-12-05	1 : 1
			PUMP ASSY		
			PART NUMBER	Edition	Sheet
			PUA0112(0)	0	A2

PART LIST				
No.	QTY	PART NUMBER	PART NAME	DESCRIPTION
1	1	PUA0112	PUMP ASSY	JPR-NL20IP



Drawing by	Checked by	Approved by - date	Model Name	Date	Scale
강 명진	Y.D. JEON		JPR-NL20IP	2015-06-02	1 : 1
			PUMP PART'S VIEW		
			PART NUMBER	Edition	Sheet
			PUA0112(0)	0	A2

품 번	PUA0112
품 명	JPR-NL20IP

A: MAJOR KIT B: MINOR KIT C: CAM SET D: M-SEAL SET E: IMPELLER KIT

No.	QTY	PART NUMBER	PART NAME	A (JSK0097)	B (JSM0078)	C (CAMSET000301)	D (MCSSET0008)	E (JIKJMP024)
1	2	BER0035	BEARING	X				
2	5	BOL0080	HEX BOLT	X	X	X (1)		
3	1	CAM000301	CAM	X	X	X		
4	1	COV0047	COVER	X	X			
5	1	GAK0009	FIBER GASKET	X	X	X		
6	1	IMP0005	RUBBER IMPELLER	X	X			X
7	1	MCS0013	CERAMIC	X	X		X	
8	1	MCS0016	CARBON	X	X		X	
9	1	ORG0013	O-RING	X	X			X
10	1	PBC0188	PUMP CASING					
11	1	RET0047	RETAINER	X				
12	1	SHA0105	SHAFT	X				
13	1	SLI0001	SLINGER	X				
14	1	SNP0006	SNAP-RING	X	X			
15	1	SNP0010	SNAP-RING	X				
16	1	WER0001	WEAR PLATE	X	X			

