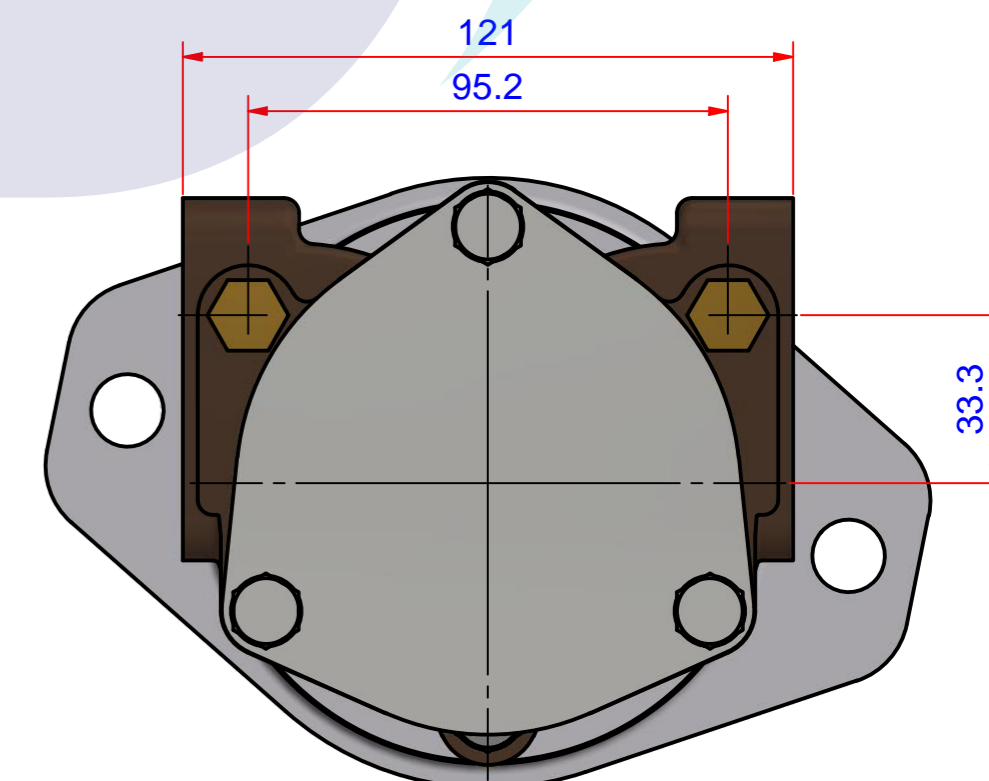
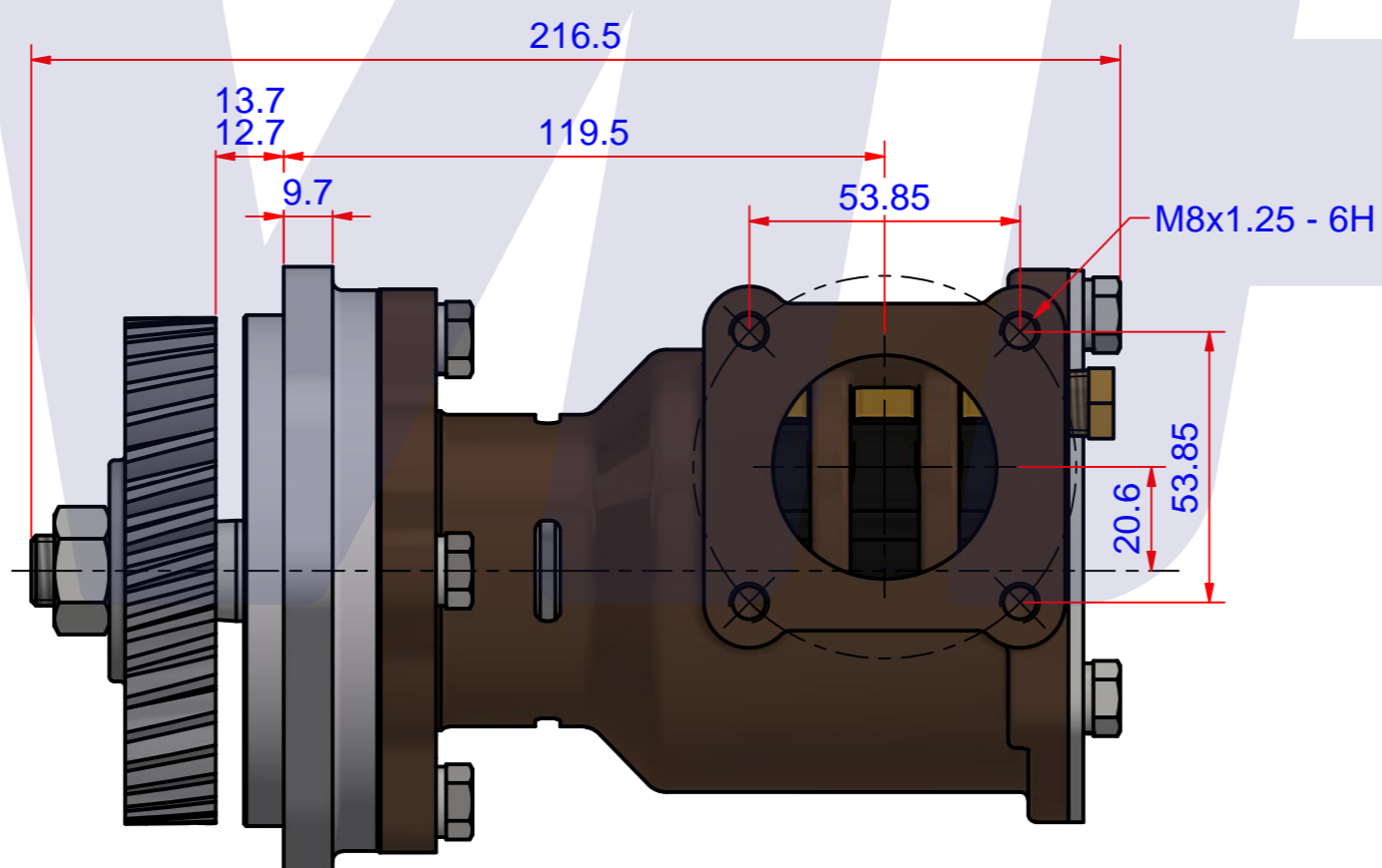
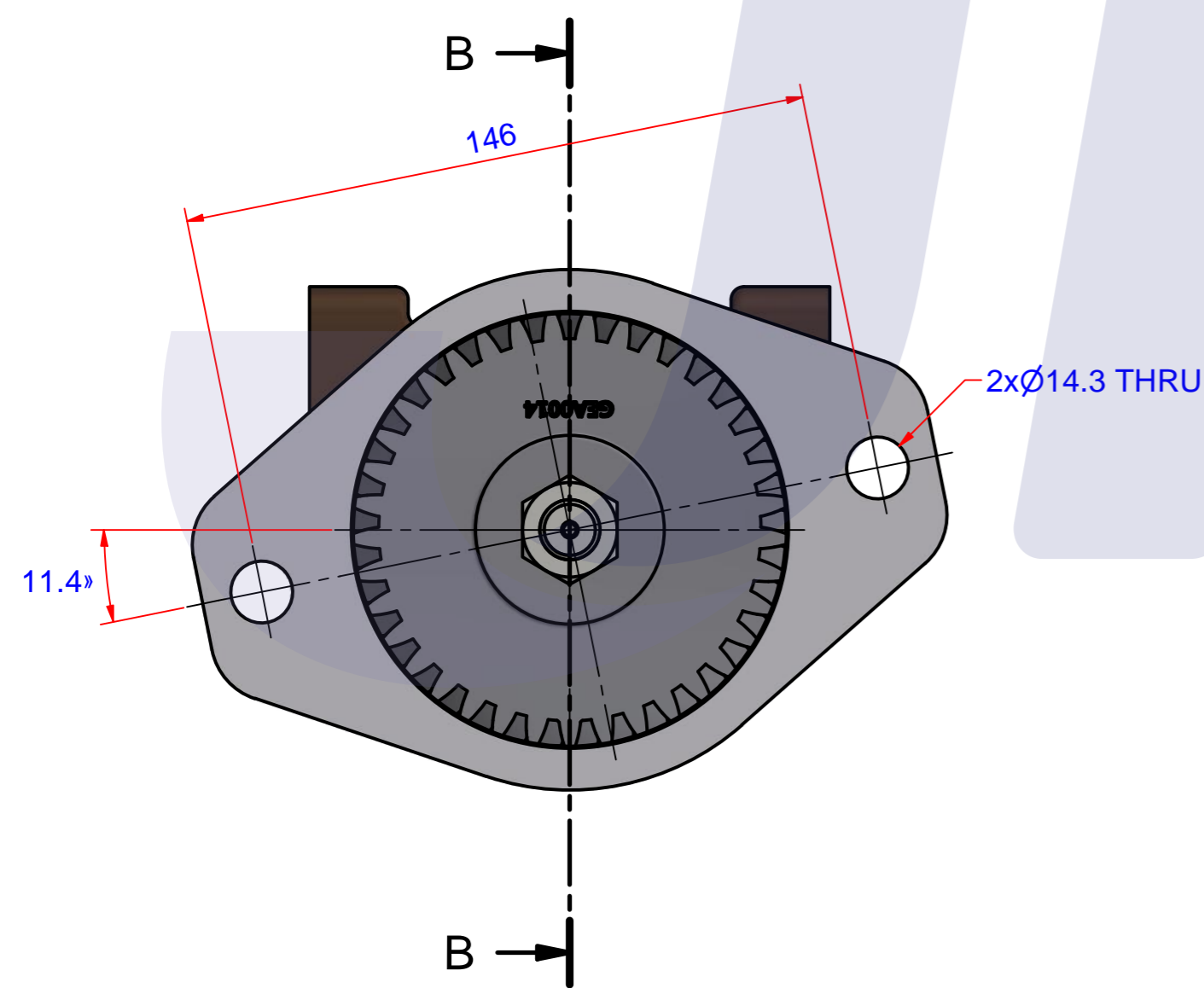
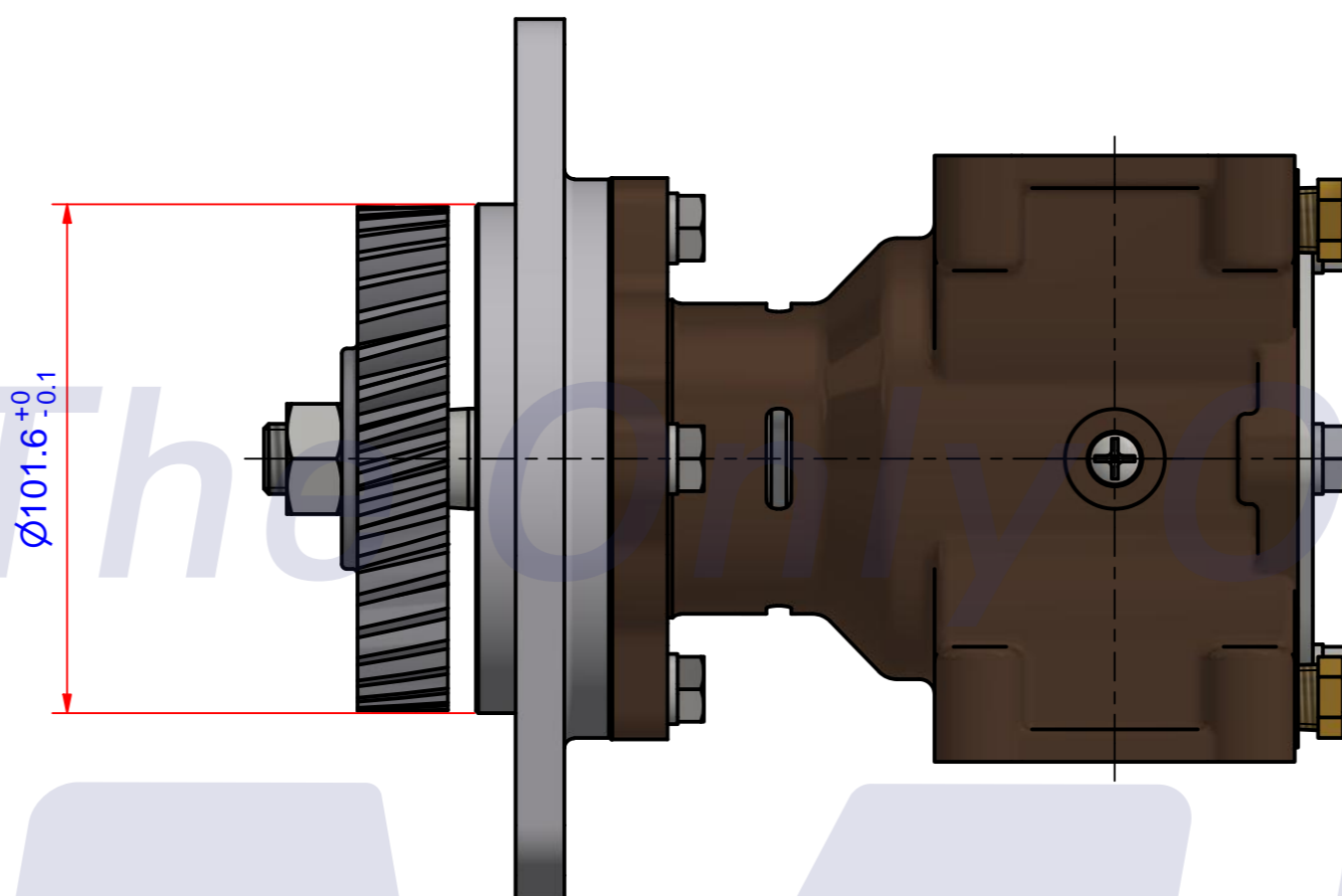
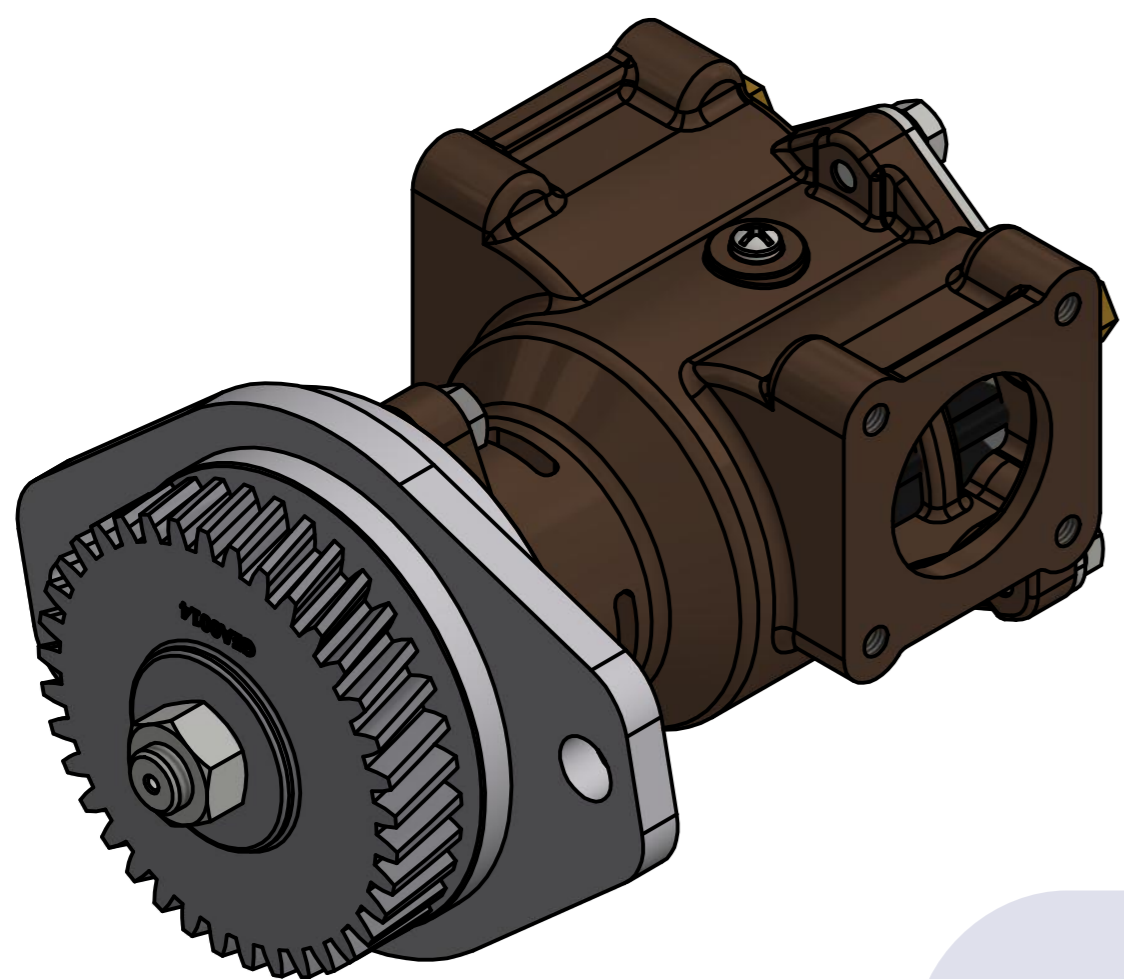
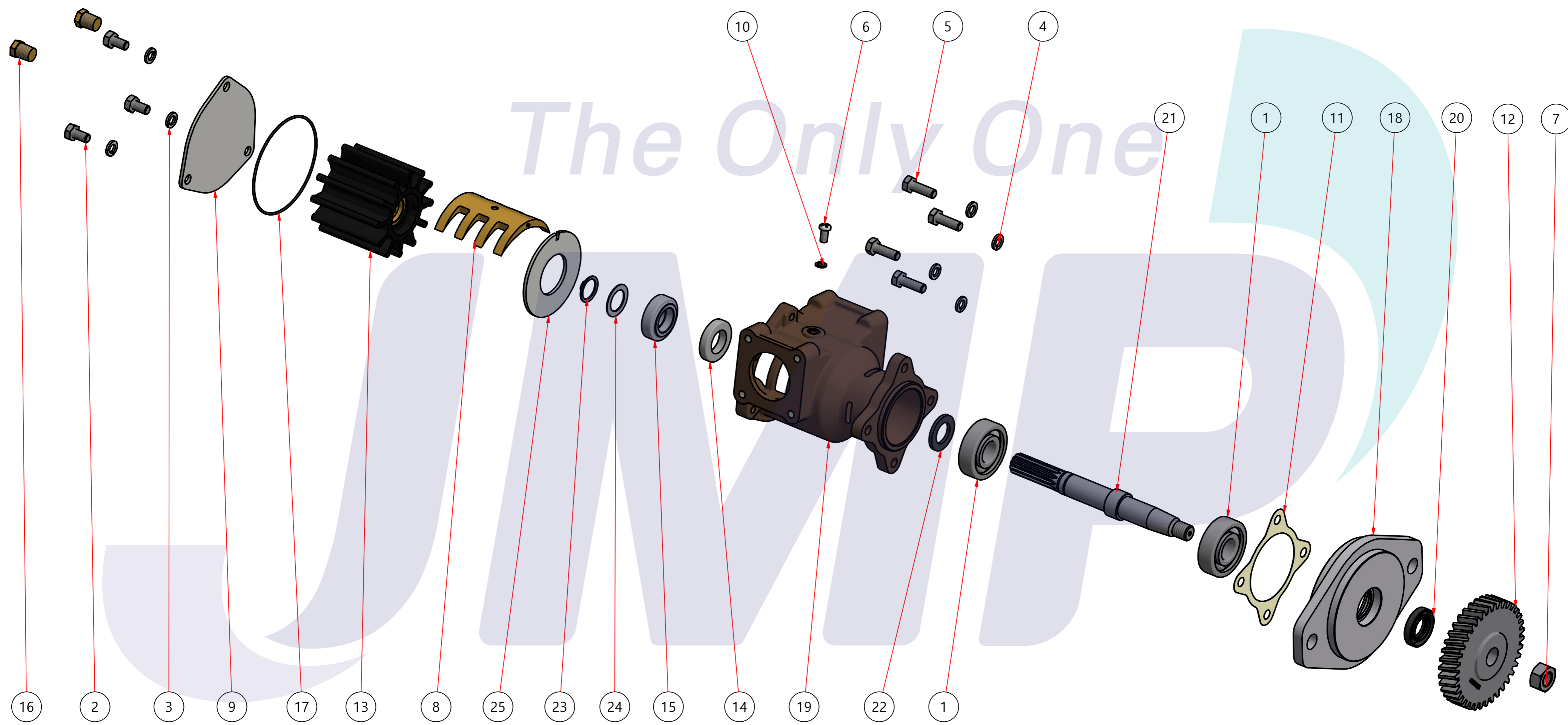


PARTS LIST					
NO.	QTY	PART NUMBER	PATR NAME	MAT	DESCRIPTION
1	1	PUA0073	PUMP ASSY		S7630



Drawing by	Checked by	Approved by - date	Model Name	Date	Scale
강 명진	Y.D. JEON		JPR-S7630	2012-02-10	1 : 1
			PUMP ASSY		
			PART NUMBER	Edition	Sheet
			PUA0073(0)	0	A2

PART LIST					
No.	QTY	PART NUMBER	PART NAME	METERIAL	DESCRIPTION
1	1	PUA0073	PUMP ASSY		JPR-S7630



Drawing by	Checked by	Approved by - date	Model Name	Date	Scale
강 명진	Y.D. JEON		JPR-S7630	2013-08-01	1 : 1
			PUMP PART'S VIEW		
			PART NUMBER	Edition	Sheet
			PUA0073(0)	0	A2

품 번	PUA0073
품 명	JPR-S7630

A: MAJOR KIT B: MINOR KIT C: CAM SET D: M-SEAL SET E: IMPELLER KIT

No.	QTY	PART NUMBER	PART NAME	A (JSK0067)	B (JSM0002)	C (CAMSET0031)	D (MCSSET0014)	E (JIKJMP035)
1	2	BER0039	BEARING	X				
2	3	BOL0006	HEX BOLT	X	X			
3	3	BOL0036	SPRING WASHER	X	X			
4	4	BOL0037	SPRING WASHER	X				
5	4	BOL0059	HEX BOLT	X				
6	1	BOL0099	SCREW	X	X	X		
7	1	BOL0138	NUT	X				
8	1	CAM0031	CAM	X	X	X		
9	1	COV0036	COVER	X	X			
10	1	GAK0009	FIBER GASKET	X	X	X		
11	1	GAK0030	GASKET	X				
12	1	GEA0014	GEAR					
13	1	IMP0055	RUBBER IMPELLER	X	X			X
14	1	MCS0033	CERAMIC	X	X		X	
15	1	MCS0034	CARBON	X	X		X	
16	2	NIP0016	PLUG					
17	1	ORG0030	O-RING	X	X			X
18	1	PBC0130	PUMP ADAPTER					
19	1	PBC0131	PUMP CASING					
20	1	RET0035	RETAINER	X				
21	1	SHA0075	SHAFT	X				
22	1	SLI0006	SLINGER	X				
23	1	SNP000301	SNAP-RING	X	X		X	
24	1	SPC0015	SPACER	X	X		X	
25	1	WER0019	WEAR PLATE	X	X			