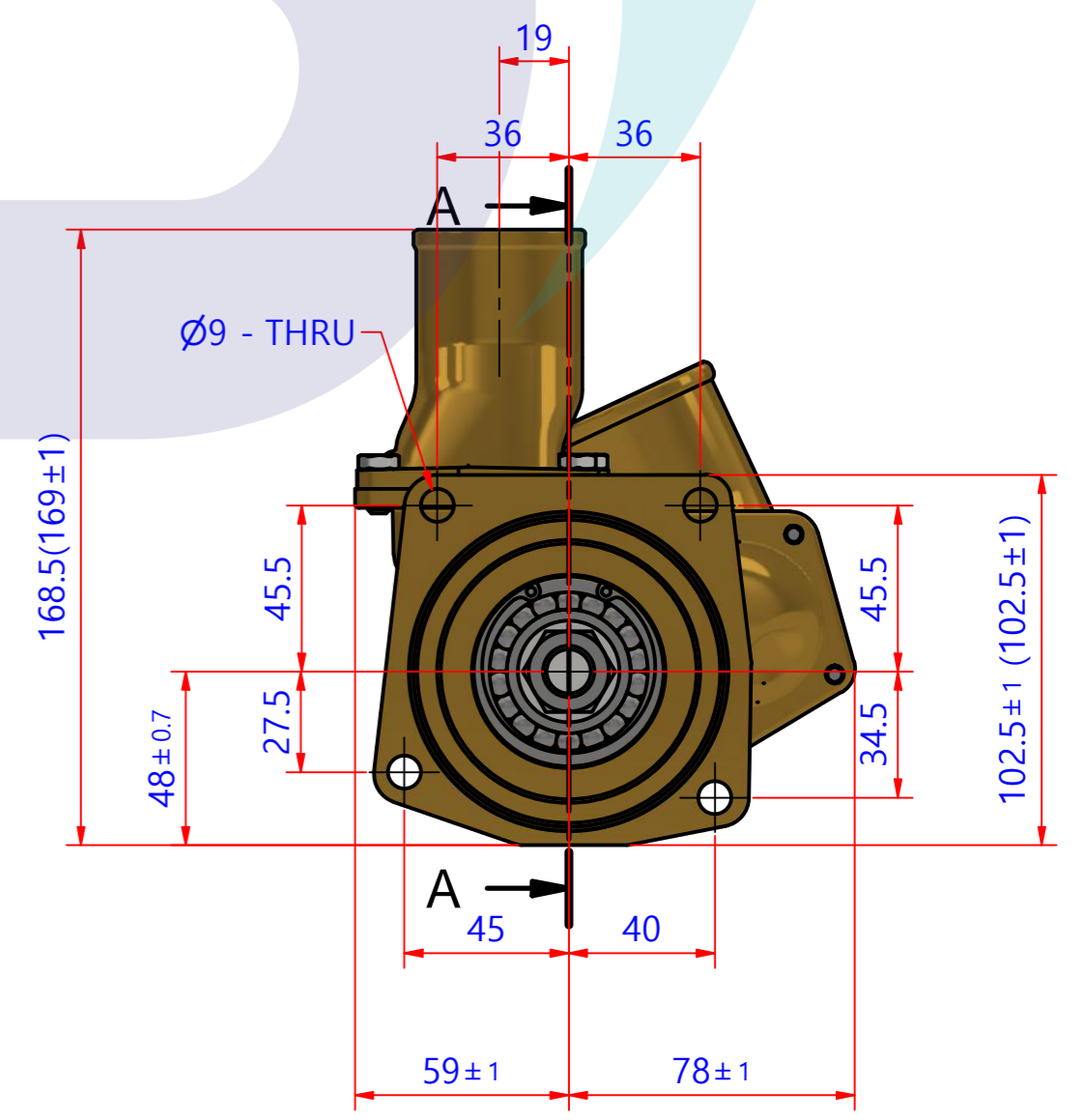
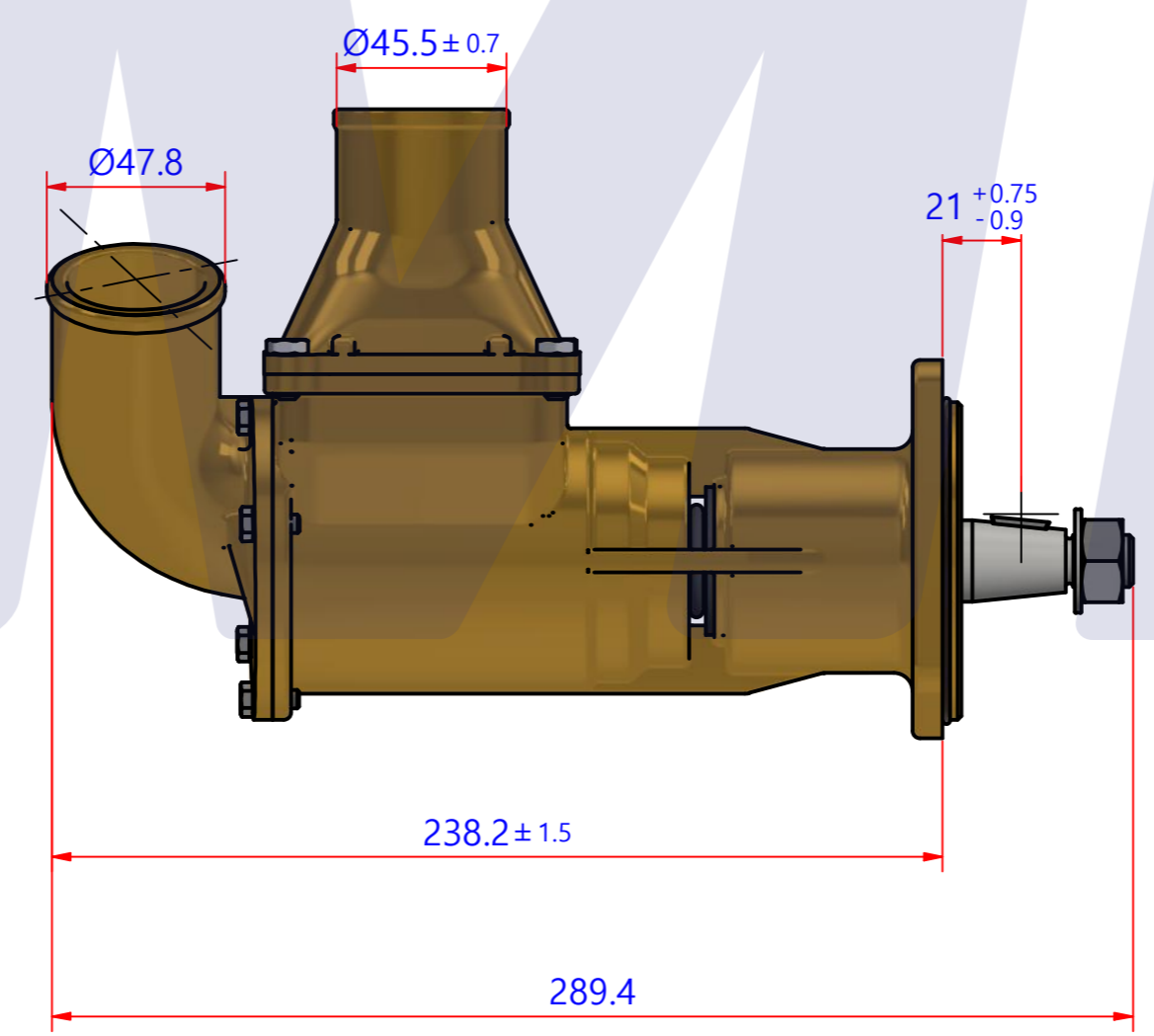
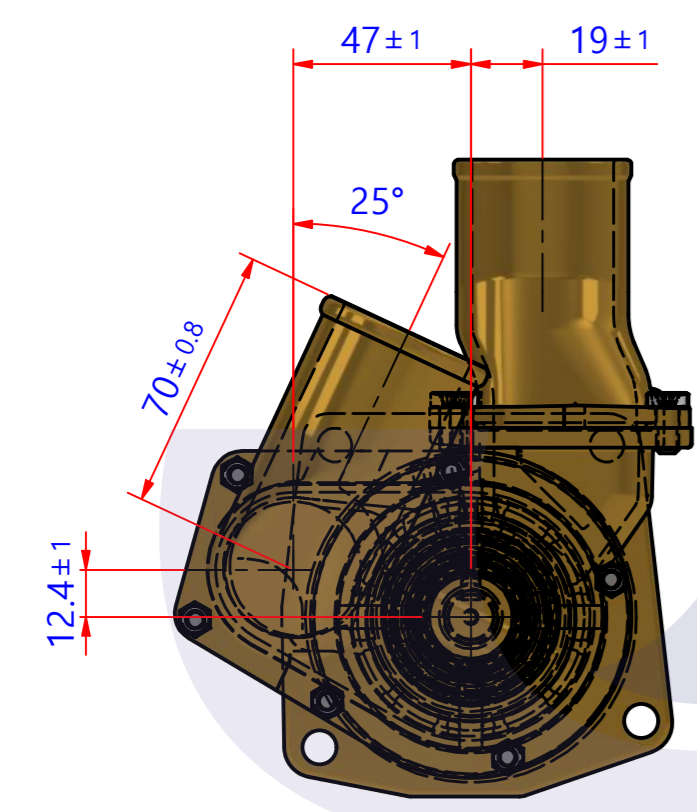
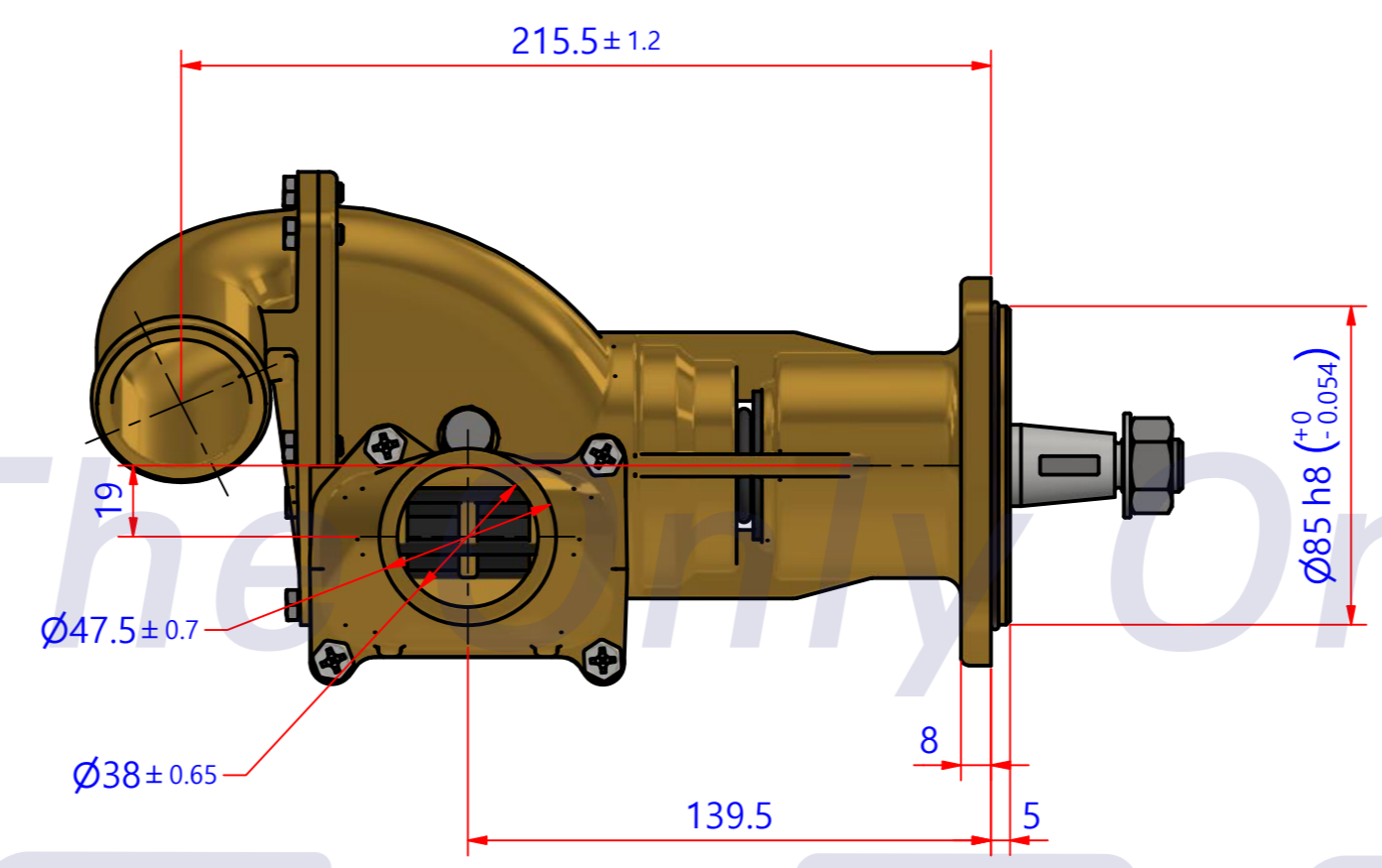
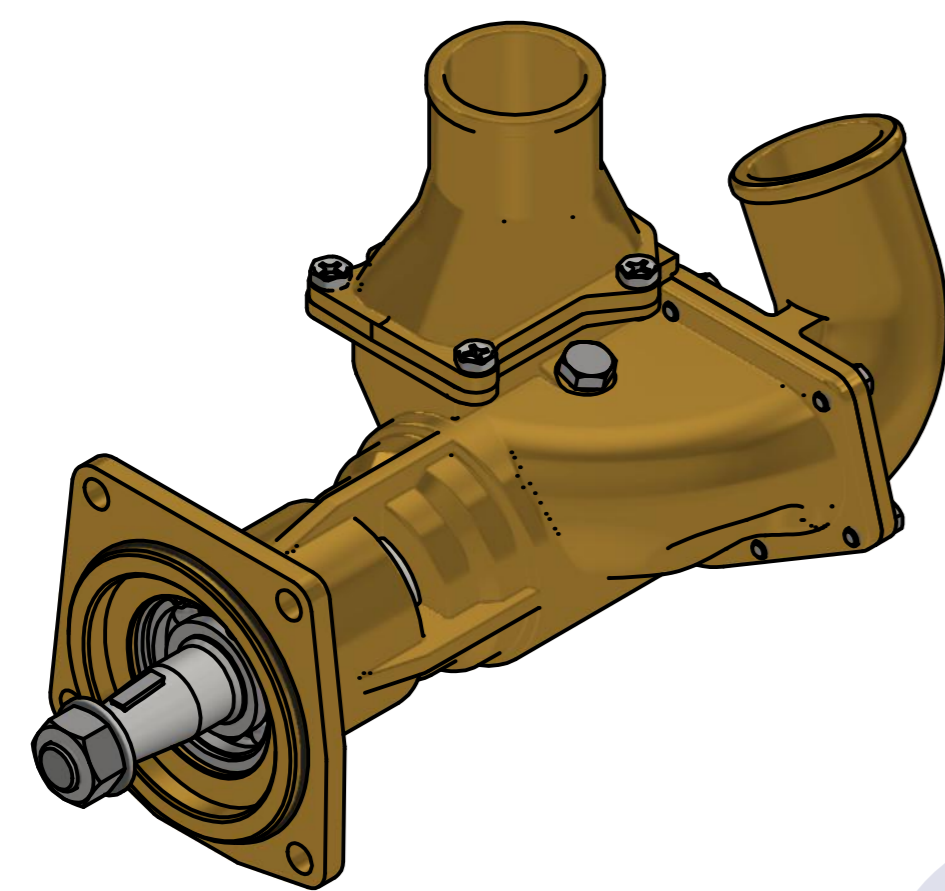
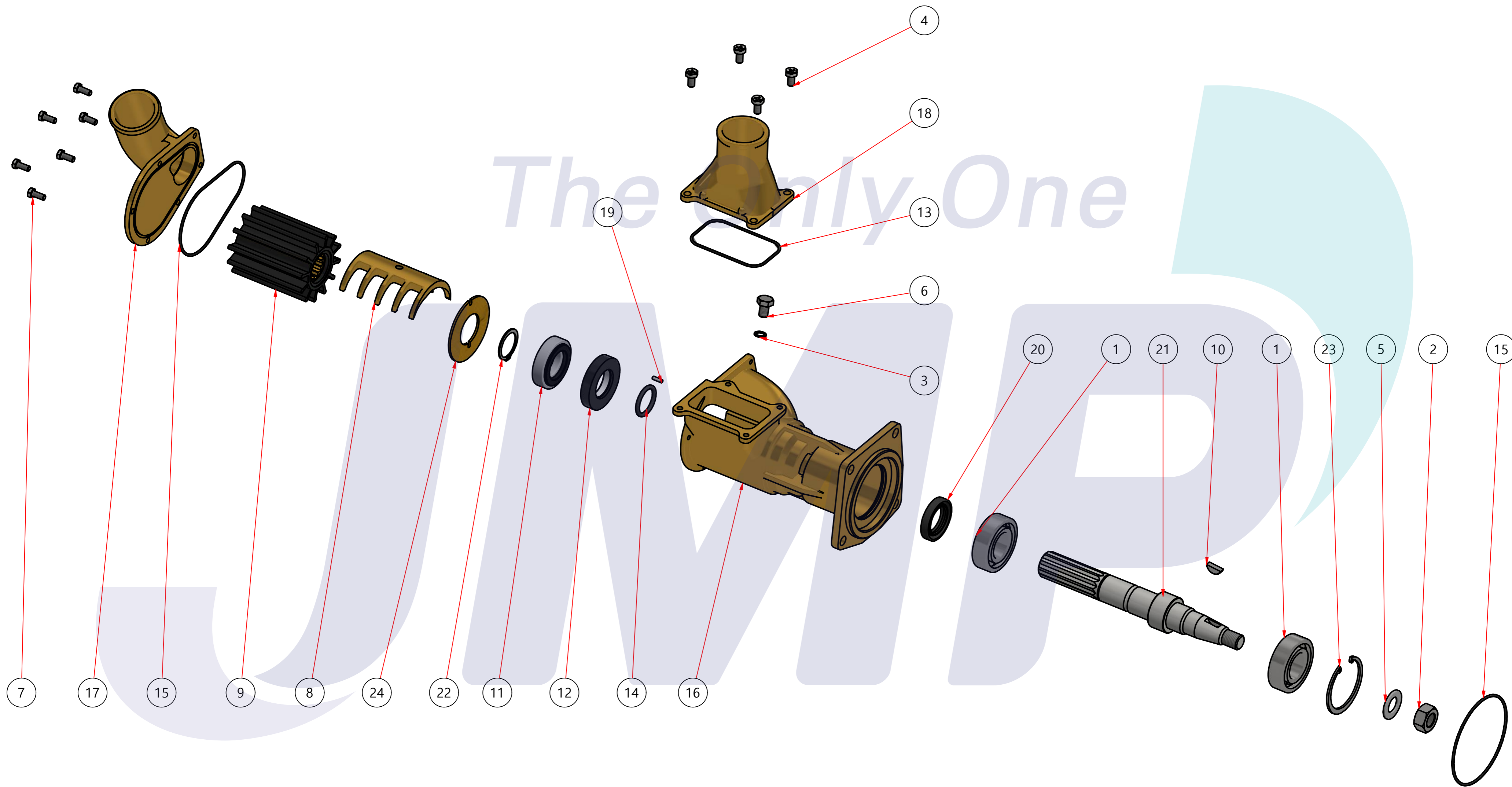


| 부품 리스트 | | | | | |
|--------|----|---------|-----------|----|-------------|
| 항목 | 수량 | 부품번호 | 주제 | 재질 | 설명 |
| 1 | 1 | PUA0139 | PUMP ASSY | | JPR-YM06LY3 |



| | | | | | |
|------------|------------|--------------------|-------------|------------|-------|
| Drawing by | Checked by | Approved by - date | Model Name | Date | Scale |
| 강명진 | C.I, JEON | | JPR-YM06LY3 | 2016-09-28 | 1:1 |
| | | | PUMP ASSY | | |
| | | | PART NUMBER | Edition | Sheet |
| | | | PUA0139(0) | 0 | A2 |

| PART LIST | | | | | |
|-----------|-----|-----------|-----------|-----|-------------|
| No. | QTY | PART LIST | PART NAME | MAT | DESCRIPTION |
| 1 | 1 | PUA0139 | PUMP ASSY | | JPR-YM06LY3 |



| | | | | | |
|------------|------------|--------------------|-------------------------|------------|-------|
| Drawing by | Checked by | Approved by - date | Model Name | Date | Scale |
| M.J.KANG | C.I. JEON | | JPR-YM06LY3 | 2016-11-09 | 1:1 |
| | | | PUMP PART'S VIEW | | |
| | | | PART NUMBER | Edition | Sheet |
| | | | PUA0139(0) | 0 | A2 |

| | |
|-----|-------------|
| 품 번 | PUA0139 |
| 품 명 | JPR-YM06LY3 |

A: MAJOR KIT B: MINOR KIT C: CAM SET D: M-SEAL SET E: IMPELLER KIT

| No. | QTY | PART NUMBER | PART NAME | A (JSK0127) | B (JSM0127) | C (CAMSET0041) | D (MCSSET0021) | E (JIKJMP062) |
|-----|-----|-------------|-----------------|----------------|----------------|-------------------|-------------------|------------------|
| 1 | 2 | BER0004 | BEARING | X | | | | |
| 2 | 1 | BOL001901 | NUT | X | | | | |
| 3 | 1 | BOL0031 | BRONZE WASHER | X | X | X | | |
| 4 | 4 | BOL0081 | HEX BOLT | X | | | | |
| 5 | 1 | BOL0129 | FLAT WASHER | X | | | | |
| 6 | 1 | BOL0137 | HEX BOLT | X | X | X | | |
| 7 | 6 | BOL0182 | HEX BOLT | X | X | | | |
| 8 | 1 | CAM0041 | CAM | X | X | X | | |
| 9 | 1 | IMP0065 | RUBBER IMPELLER | X | X | | | X |
| 10 | 1 | KEY0013 | KEY | X | | | | |
| 11 | 1 | MCS0042 | CARBON | X | X | | X | |
| 12 | 1 | MCS0043 | CERAMIC | X | X | | X | |
| 13 | 1 | ORG0013 | O-RING | X | | | | |
| 14 | 1 | ORG0074 | O-RING | X | X (1) | | | |
| 15 | 2 | ORG0081 | O-RING | X | X (1) | | | X (1) |
| 16 | 1 | PBC0225 | PUMP CASING | | | | | |
| 17 | 1 | PBC0226 | PUMP COVER | X | X | | | |
| 18 | 1 | PBC0227 | PUMP CONNECTION | | | | | |
| 19 | 1 | PIN0001 | PIN | | | | | |
| 20 | 1 | RET0053 | RETAINER | X | | | | |
| 21 | 1 | SHA0129 | SHAFT | X | | | | |
| 22 | 1 | SNP0008 | SNAP-RING | X | X | | | |
| 23 | 1 | SNP0011 | SNAP-RING | X | | | | |
| 24 | 1 | WER0001 | WEAR PLATE | X | X | | | |