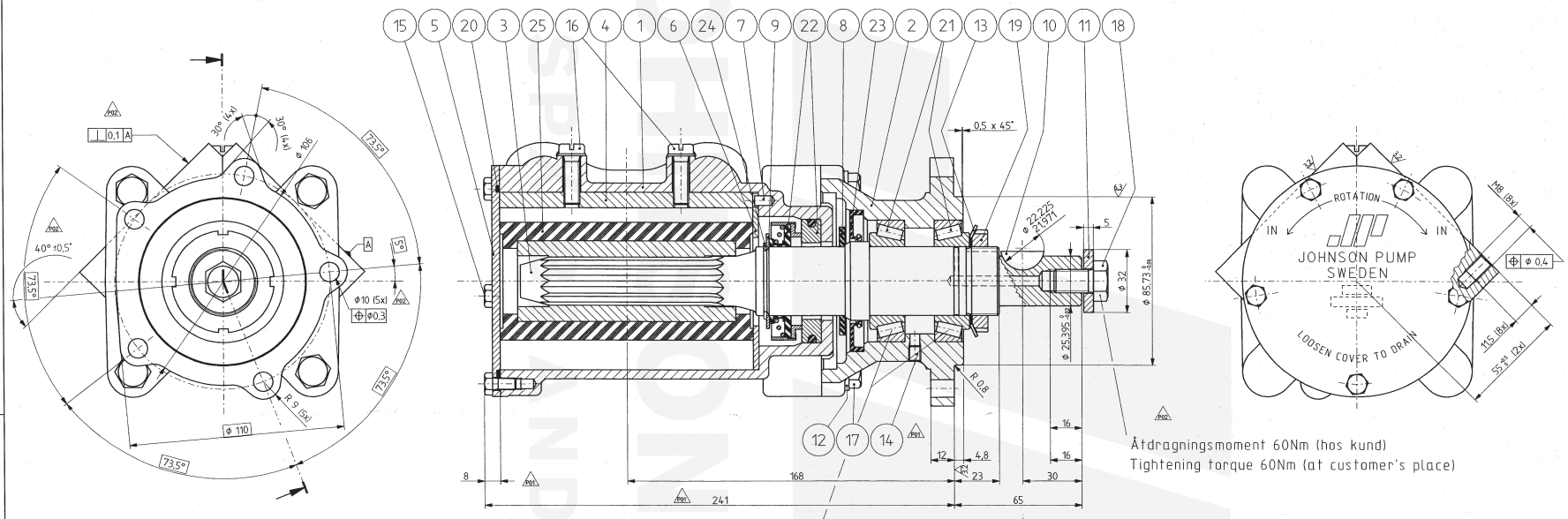


**F95B-9 Impeller pump  
Art. No. 10-13165-01**

Part No.	Description GB	Position	Quantity
01-13119-2	BODY F95B-9	1	1
01-24490-1	BEARING HOUSING F95B-9	2	1
01-35743	SHAFT F95B-9	3	1
01-35744	CAM 1/1 F95B-	4	1
01-35773-2	ENDCOVER F8/F9/F95 SS	5	1
01-42423	WEARPLATE F8/F80/F9/F95B-	6	1
01-42426	PIN	7	1
01-46524	SLINGER F95B-9	8	1
01-46323	WASHER F95B-	9	1
01-46352	KEY	10	1
01-46615	WASHER	11	1
0.0353.111	SPRING WASHER D10.2 DIN127B A2	12	4
0.0383.007	LOCKING WASHER D35 ST MB7	13	1
0.0300.544	DO NOT USE REPLACED WITH 0.0300.744	14	1
0.0138.134	TAPBOLT M6X12 DIN933 A2	15	5
01-46794-09	SCREW M8X25 AL.BRONZE	16	2
0.0141.922	TAP BOLT M10X25 DIN933 8.8ZN	17	4
0.0141.164	TAP BOLT M12X 20 M DIN933 8.8	18	1
0.0243.007	LOCK NUT M35X1.5 ST KM7	19	1
0.2172.142	O-RING 90.00X2.5 NBR70	20	1
0.3428.516	CON ROLLER BEARING 32007X ST	21	2
0.2247.018	MECH.SEAL CPL FA35.60.16	22	1
0.2234.502	LIP SEAL 40x72x7 DIN3760 BA	23	1
0.0370.535	EXT. CIRCLIP D35 DIN471 BRONZE	24	1
08-820B	IMPELLER F95B-	25	1

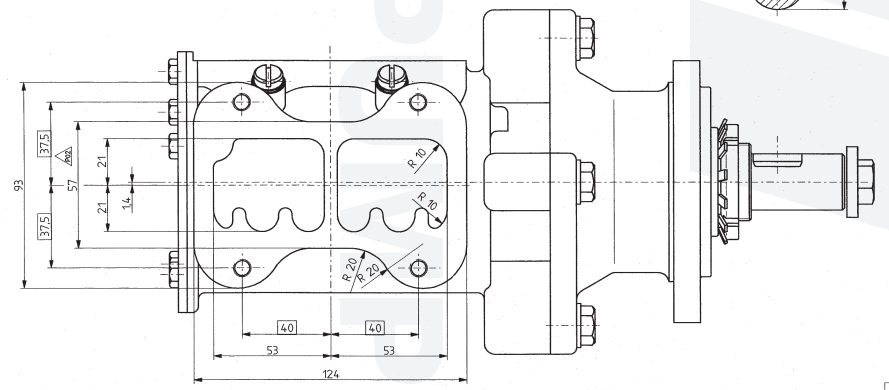
Tolerances mm to 100	
Actual size	Upper deviation
4.8 cd8	-0.046 +0.064



▲ Axiellt lagerglapp inställt till 0-0,05mm.  
Axial bearing slackness adjusted to 0-0.05mm.

Ritning nr Drawing no	Pump nr/ Pump no	styklista parts list	Pump typ Pump type	Märkning på lock Mark on endcover
03-13165	10-13165-01		F95B-9	Pumptyp + 5106500-7035 + filiv. år + vecka Pump type + 5106500-7035 + man. year + week
	10-13165-02			Pumptyp + pump nr + filiv. år + vecka Pump type + pump no + man. year + week

Detaljer enligt stycklista  
Part nos according to parts list



Rev	Part no	Part name	Quantity	Unit
1750	P05	C1 Mark 5106500-7035 was 5106500-7025	981113	LU
1688	P04	C3 k. Vormant -12 added.	980630	AN
1265	P03	C6 Text about axial bearing slackness added.	960819	DN
1145	P02	G11/B9 Perpendicular requirement added, S7 was S3	960318	DN
		F12 angle 40° +/- 0.5° added Screw torque added.		
		ø10 within ø0.3 was earlier ø9 within ø0.4.		
-	P01	E6,08 Screw, 17 1/4 added, 9 & 24.1 was 9 & 24.2	950816	PJ
-	A01	Screw, 17 1/4 added, 9 & 24.1 was 9 & 24.2	940627	PJ
		Drawing no was 930818		

Part no	Part name	Description	Material	Drawing no
03-13165	Johnson Impellerpump F95B-9	Impeller pump	Cast iron	P05

2000-12-21

10-13165  
pump F95B-9  
Copyright © 1994 Johnson Pump AB, Göteborg, Sweden