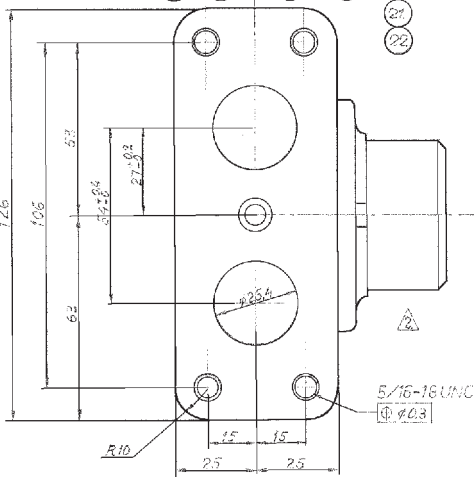
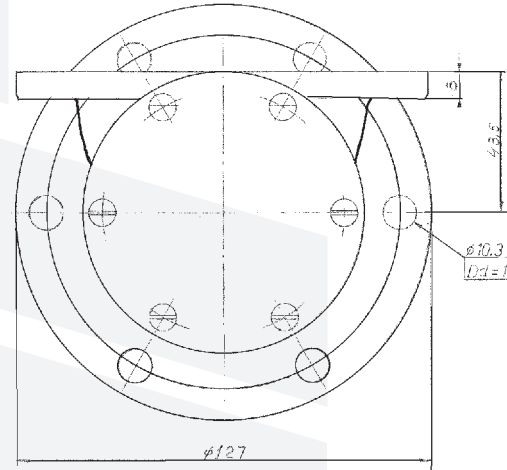
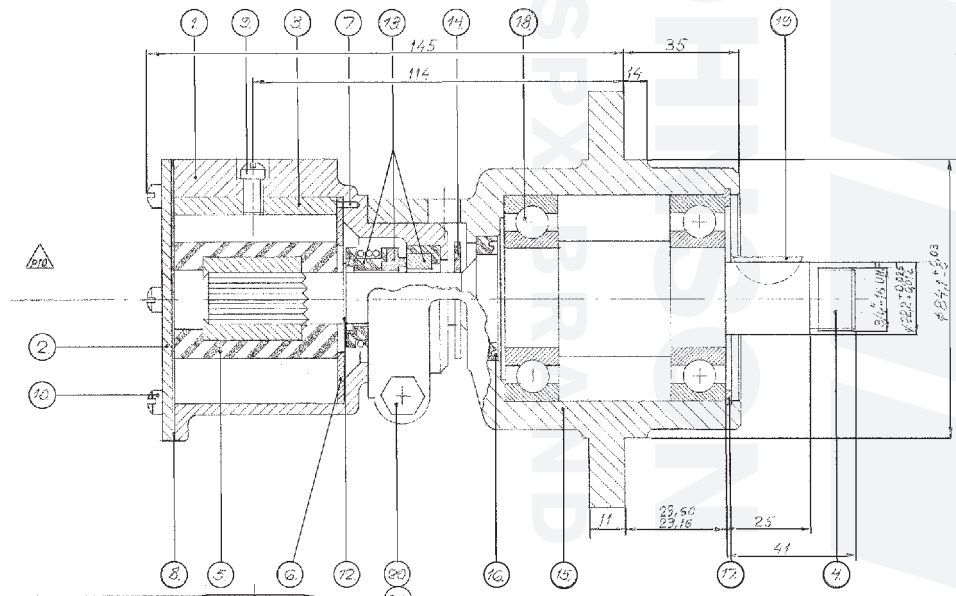


DENNA RITNING ÄR EN KOPPIERING
 OCH SKALL PÅ BEGRÄNSAT ATERLÄNNAS,
 DEN FÄR EJ PÅ NÅGOT SÄTT ANVÄN-
 DAS TILL SVARÅ FÖR INNESEKERN,
 JOHNSON METALL AB, ÖREBRO

| Ändr. nr | Ändring | Datum | Sign. |
|----------|-----------------------------------|----------|-------|
| 1 | Mått införda | 5-12-74 | HJ |
| 2 | Vy tillkommit. | - | - |
| 3 | Ny nummer system godkänd | 06-1-75 | HJ |
| 4 | Deton. 4, 01-42443 var 01-42444 | 18-2-75 | JG |
| 5 | Deton. 11, 01-314633 var 01-45583 | - | - |
| 6 | 10-22335-2 tillkommit | 4-8-75 | - |
| 7 | Engelsk text tillkommit | 6-5-77 | ÖV |
| 8 | Lock 01-45598 var 01-42441 | 27-4-83 | JG |
| 9 | Märken av lock ändr. | 16-5-89 | JG |
| 10 | 10-22335-3 3/4 tillk. | 9/11/213 | PJ |
| 10 | Ändring av teckning | 250626 | IG |

| Pump No. | Pumptyp | Cam Kam | Endcover | Mark on endcover |
|------------|---------|------------------|----------|--|
| Pump Nr | Pumptyp | No. Thickness | Lock | Märkes på lock |
| 10-22335-1 | F7B-9 | 01-42679 11 6,2 | 01-45598 | 836326 + weekly code |
| 10-22335-2 | F7B-903 | 01-42442 213 4,7 | | 842275 + weekly code |
| 10-22335-3 | F7B-9 | 01-42679 11 6,2 | 01-42441 | F7B-9 + 10-22335-3 + man/year - week |
| 10-22335-4 | F7B-903 | 01-42442 213 4,7 | | F7B-903 + 10-22335-4 + man/year - week |



F7B-903 Impeller pump
Art. No. 10-22335-2

| Part no. | Description GB | Position | Quantity |
|-------------|------------------------------------|----------|----------|
| 01-22151-1 | BODY F7B-9 | 1 | 1 |
| 01-45598 | ENDCOVER F7B-9 | 2 | 1 |
| 01-42679 | CAM 1/1 F7B/F70B | 3 | 1 |
| 01-31964 | SHAFT F7B-9 | 4 | 1 |
| 08-1028B | IMPELLER | 5 | 1 |
| 01-42443 | WEARPLATE F7B/F70B | 6 | 1 |
| 01-42400 | PIN F35B-/F7B/F70B | 7 | 1 |
| 01-42445 | GASKET F4B/F7B- | 8 | 1 |
| 01-46794-07 | SCREW 12-24UNCX8 BRASS | 9 | 1 |
| 01-46794-05 | SCREW 10-32UNFX8 BRASS | 10 | 6 |
| 0.0370.516 | EXT. CIRCLIP D16 DIN471 PHB | 12 | 1 |
| 0.2247.050 | MECH. SEAL COMPL 5/8" 106BT2C1 | 13 | 1 |
| 01-42402 | SLINGER F5/F7B- | 14 | 1 |
| 01-21884-1 | BEARING HOUSING F7B-9 | 15 | 1 |
| 0.2233.002 | LIP SEAL 28X38X7 DPSPM | 16 | 1 |
| 0.0371.062 | RETAIN. RING BORE D62 DIN472 SPRST | 17 | 1 |
| 0.3431.486 | BALL BEARING 6206 ST | 18 | 2 |
| 0.0144.001 | BOLT 1/4"-20UNCX57 SS1943 STZN | 20 | 1 |
| 0.0194.001 | NUT 1/4"-20UNC SS1989 8.8ZN | 21 | 1 |
| 0.0353.402 | WASHER D6.5 X D11.8 X1.6 | 22 | 1 |

| | | | | | | | | |
|-----------------------------|-------------|----------|-------------|---------|-----------|-----------|----------------------|-----------|
| Tolerans utifrån originalen | Arbetsmetod | Viskosit | Bearbetning | Kilning | Kjud | Godkänd | Smr. ritn. | |
| | | | | | 20.3.7872 | 10.4.1978 | En. ritn. | |
| | | | | | | | Sycklita nr | |
| Johnson Metall | | | | | | | Johnson Impellerpump | Skala 1:1 |
| 10-22335 Type F7B-9 (1"H-1) | | | | | | | 10-22335/P11 | Rit. nr. |

The product, i.e. concept, design and construction, is the property of SPX Johnson Pump Marine AB

Engine Cooling, flange-mounted pumps

10-22335

pump F7B-9