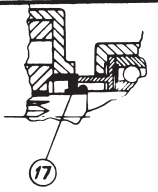


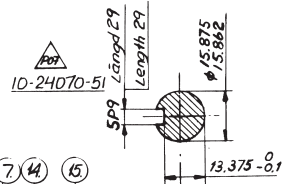
**F7B-8 Impeller pump**  
**Art. No. 10-24070-1**

Part. No.	Description GB	Position	Quantity
01-24065-1	BODY F7B-8	1	1
01-45045	SHAFT F5/F7B-8	2	1
01-42441	ENDCOVER F7B-	3	1
08-1028B	IMPELLER	4	1
01-42445	GASKET F4B/F7B-	5	1
01-42679	CAM 1/1 F7B/F70B	6	1
01-45046	PLATE F5/F7B-8/-5001	7	1
01-45047	PLATE F5/F7B-8	8	1
0.0279.033	SCREW M5X8 ISO1207 BRASS	10	6
01-46794-01	SCREW 12-24UNCX9.5 BRASS	11	1
0.2233.001	LIP SEAL 16X28X7 DPSM	12	1
0.2173.402	O-RING 15.3X2.4 SS1586 NBR70	13	1
0.3431.742	BALL BEARING 6203 2 RS1 ST	14	2
0.0371.040	RETAIN. RING BORE D40 DIN472 SPRST	15	1
0.0370.017	EXT. CIRCLIP D17 DIN471 ST	16	1

DESSA RITNING AR JF3 EGENDOM OCH SKALL PA BEHÖRAN ATERLÄNNAS. DEN FÄR EJ PÅ MAGET LÄTT ANVÄNDAS TILL SKADAN FÖR JF3 INTERESS. JOHNSON PUMP AB, ÖREBRO

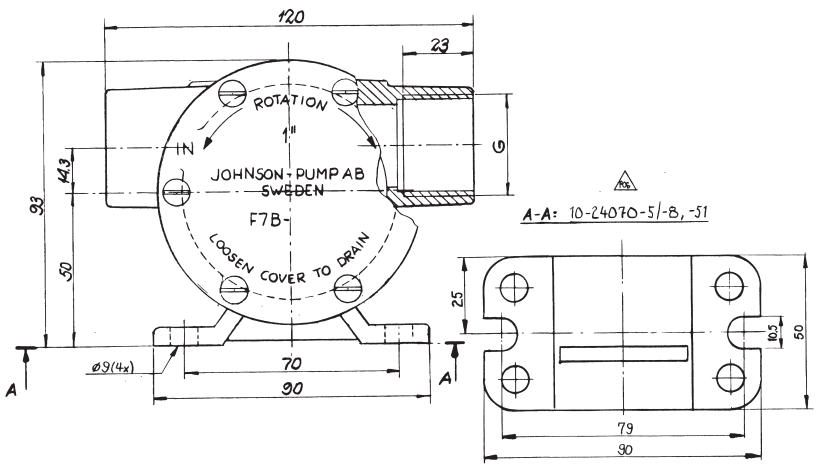
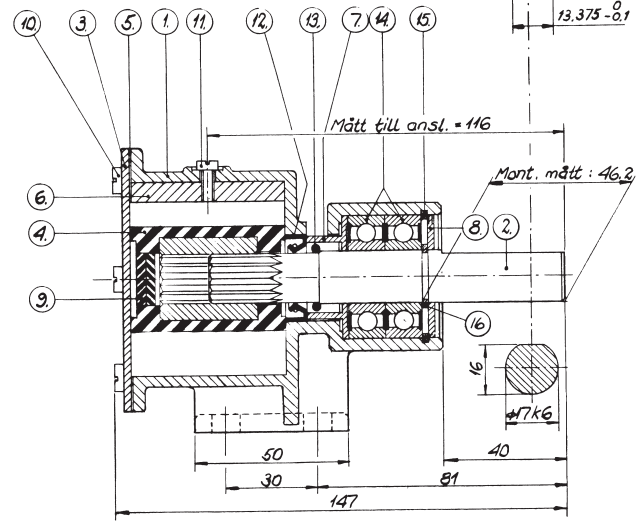


10-24070-10



Pump No.	Mark on endcover
10-24070-1-3-5-7-9-51	Pumptype + No. + weekly code
10-24070-9	CWP 107

Note! Label 01-35302-1 is to be placed in centre of endcover 01-46005.



Pump No.	Pumptype	Endcover	Label	Description	Cam		Impeller		Screw	Body/Thread G	Shaft
					Thickness	No.	Rubberaval.	No.			
10-24070-1	F7B-8			1/1	6.2	01-42679	Neoprene	08-1028B	05-04-107	01-24065-1 G = R1"	01-45045
-2	F7B-89			1/1	6.2	01-42679	Nitrile	08-1028B-9	05-04-107		
-3	F7B-803			2/3	4.7	01-42442	Neoprene	08-1028B	05-04-144		
-4	F7B-893	01-42441		2/3	4.7	01-42442	Nitrile	08-1028B-9	05-04-144		
-5	F7B-8007			1/1	6.2	01-42679	Neoprene	08-1028B	05-04-107		
-6	F7B-8907						Nitrile	08-1028B-9	05-04-144		
-7	F7B-8037			2/3	4.7	01-42442	Neoprene	08-1028B	05-04-144		
-8	F7B-8937						Nitrile	08-1028B-9	05-04-144		
-9	F7B-8	01-46005	01-35302-1	1/1	6.2	01-42679	Neoprene	08-1028B	05-04-107	01-24065-1	
-51	F7B-8007	01-42441		1/1	6.2	01-42679	Neoprene	08-1028B	05-04-107	01-24065-2	01-46417
-10	F7B-8	01-46431		1/1	6.2	01-42679	Neoprene	08-1028B	05-04-107	01-24065-1	01-45045

* 1	Service kit, Pump No. 10-24070-1-3-5-7-9-51	09-45592
* 1	Service kit, Pump No. 10-24070-2-4-6-8	09-45593

Replaced by F7B-8  
Art. No. 10-24572

1465	POB	10-24070-10 tillk.	970313	DN	
1066	POB	Kilspar var tidigare fräst plan	960110	DN	/N
972	POB	Nr fot på hus 01-24065-2	940913	AN	/R/
693	POS	10-24070-51 tillk.	921126	TE	/R/
177	POB	10-24070-9 tillk.	871116	JT	
3		10-24070-5 t.o.m -8 tillkommit	3.5.82	TH	
105		Läsning del 16 tillkommit	3.5.82	TH	
1		Det.nr 1 01-24065-1 var 01-24065	25.10.87	JT	
K M	Ändr	Ändring	Datum	Sign.	

Tolerans där ej annat angives	Arbetsmått	Vinklar	Bearbetning	Ritning	Ritad	Godkänd	Smitt. ritn.
				Datum	17.1.89/ka		Ämn. nr.
				Sign.	JT		Sycklistans nr.
			Titel		Johnson Impellerpump		Skala: 1:1
			10-24070 typ F7B-8				Ritn. nr. 10-24070/POB

The product, i.e. concept, design and construction, is the property of SPX Johnson Pump Marine AB

Multipurpose, sturdy & compact bronze pumps

401

10-24070

pump F7B-8

Multipurpose