

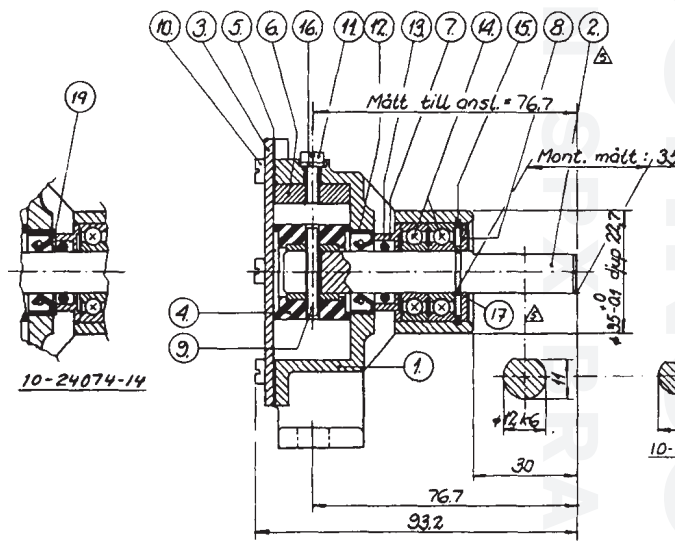
F4B-8 Impeller pump
Art. No. 10-24074-1

Service Kit No. 09-45587, Pump No. 10-24074-1-3-5-7-9-11-13-71

Service Kit No. 09-45588, Pump No. 10-24074-2-4-6-8-10-12

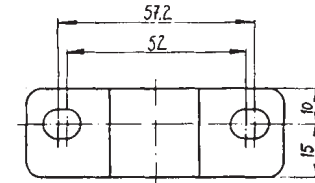
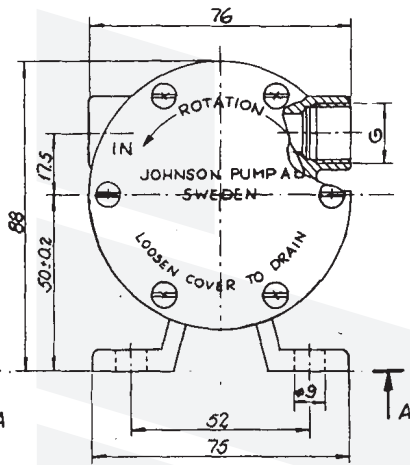
Service Kit No. 09-46625, Pump No. 10-24074-14

Part. No.	Description GB	Position	Quantity
01-35029-1	BODY F4B-8	1	1
01-45069	SHAFT F35/F4B-8	2	1
01-42398	ENDCOVER F4/F5B-	3	1
08-810B-1	IMPELLER	4	1
01-42391	GASKET F4B-	5	1
01-42389	CAM 1/1 F4B-	6	1
01-45050	PLATE F35/F4B-8	7	1
01-45049	PLATE F35/F4B-8	8	1
0.0279.300	SCREW M4X8 ISO1207 A4	10	6
01-46794-04	SCREW 8-32UNCX10	11	1
0.2233.010	LIP SEAL 12X24X7 DPSM	12	1
0.2173.432	O-RING 11.3X2.4 SS1586 NBR70	13	1
0.3431.748	BALL BEARING 6001 2 RS1 ST	14	2
0.0371.028	RETAIN. RING BORE D28 DIN472 SPRST	15	1
01-46790-01	WASHER D7.5XD4X1 CU	16	1
0.0370.012	EXT. CIRCLIP D12 DIN471 ST	17	1



Pump No.	Mark on endcover
10-24074-1-2/7/11	Pumptype + No. + monthly code
10-24074-13	CWP31

Note! Label 01-35302-1 is to be placed in centre of endcover 01-46007.



A - A: 10-24074-7/-12, -71

Pump No.	Pumptype	Impeller		Cam		Screw	Washer	Body	Thread G.	Endcover	Label	Shaft
		Rubberaval.	No.	Thickness	No.							
10-24074-1	F4B-8	Neoprene	08-810 B	1/1	01-42389	05-04-115	05-01-120	01-35029-1	R3/8"	01-42398	01-35302-1	01-45069
-2	F4B-89	Nitrile	08-810 B-9									
-3	F4B-802	Neoprene	08-810 B	1/2	01-45084	05-04-163						
-4	F4B-892	Nitrile	08-810 B-9									
-5	F4B-803	Neoprene	08-810 B	2/3	01-45288	05-04-114						
-6	F4B-893	Nitrile	08-810 B-9									
-7	F4B-8007	Neoprene	08-810 B	1/1	01-42389	05-04-115						
-8	F4B-8907	Nitrile	08-810 B-9									
-9	F4B-8027	Neoprene	08-810 B	1/2	01-45084	05-04-163		01-35029-2	3/8"-18 NPTF	01-42398	01-35302-1	01-45069
-10	F4B-8927	Nitrile	08-810 B-9									
-11	F4B-8037	Neoprene	08-810 B	2/3	01-45288	05-04-114						
-12	F4B-8937	Nitrile	08-810 B-9									
-13	F4B-8	Neoprene	08-810 B	1/1	01-42389	05-04-115						
-14	F4B-8007	Neoprene	08-810 B	1/1	01-42389	05-04-115						
-14	F4B-8	Neoprene	08-810 B	1/1	01-42389	05-04-115	01-35029-1					
-71	F4B-8007	Neoprene	08-810 B	1/1	01-42389	05-04-115						
-71	F4B-8	Neoprene	08-810 B	1/1	01-42389	05-04-115						

Art. nr	Part	Description	Part No.	Material	Sign.
904	P17	Ny hållbild inf. på huset 01-35029-2	940816	AN	PJ
861	P17	05-01-120 införd på samtl. var.	940324	TE	PI
165	P10	05-04-642 var 05-04-163	930610	TE	RJ
193	P09	10-24074-71 tillk	921126	TE	JRU
171	P08	10-24074-13 tillk	871116	JT	
7		Axel 01-45069 var 01-45119	77.9.82	✓	
6		10-24074-7 t.o.m. -12 tillkommit	29.4.82	✓	
105	5	Axel var 01-45069, Det. 17 tillk.	29.4.82	✓	
4		10-24074-5-b tillkommit	8.5.79	✓	
81	3	Det. nr. 3 var 01-42926	31.8.77	✓	
2		10-24074-3-4 tillkommit	3.6.76	✓	
1		Monteringsmått tillkommit	22.3.76	✓	
Art. nr	Ändr. nr	Ändring	Datum	Sign.	

Replaced by F4B-8
Art. No. 10-24570

* 1	Service kit, Pump No. 10-24074-1-3-5-7-9-11-13-1109-45587	09-45587			
* 1	Service kit, Pump No. 10-24074-2-4-6-8-10-12	09-45588			
1	Service kit, Pump No. 10-24074-14	09-46625			
19	1 Bricka	01-45659			
18	1 Märtskilt-Label	See table			
17	1 Låsring - Retaining ring	Sq A12 05-34-501			
16	1 Bricka - Washer	Ø7.0x4x1 See table			
15	1 Låsring - Retaining ring	Sq H 28 05-34-131			
14	2 Kullager - Ballbearing	6001 2RS 05-08-130			
13	1 O-ring	Ø11.3x2.4 05-06-313			
12	1 Lappadtring - Lipsal	Ø25x1 2247 05-29-139			
11	1 Skruv - Screw	See table			
10	6 Skruv - Screw	Md=8 05-04-642			
9	1 Skruv - Screw	NA10-32 UNF-25 05-04-122			
8	1 Bricka - washer	01-45049			
7	1 Bricka - washer	01-45050			
6	1 Kam - Cam	See table			
5	1 Packning - Gasket	01-42394			
4	1 Impeller	See table			
3	1 Lock - Endcover	See table			
2	1 Axel - Shaft	See table			
1	1 Pumpkåps - Body	See table			
Detaljer	Antal	Benämning	Material	Dimension	Ant. et. rön. nr
Tolerans där ej annat anges	Bearbetning	Ritzning	Risad	Godkänd	Smst. rön.
Arbetsmått	Vinklar	Datum	23.2.1976		Kunn. nr.
		Sign.	✓		Signatur nr.
					Skala: 1:1
Titel Johnson Impeller pump 10-24074, typ F4B-8					Rön. nr 10-24074/P13

10-24074 pump F4B-8