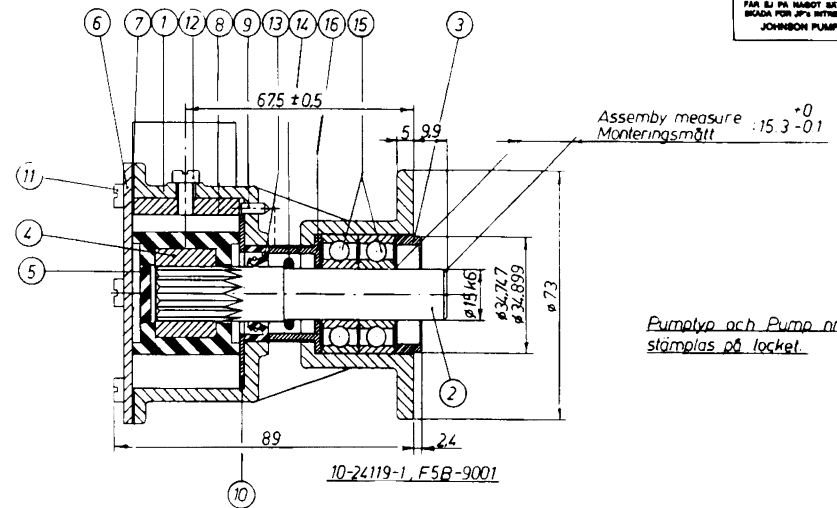
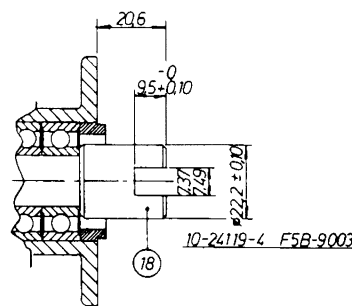
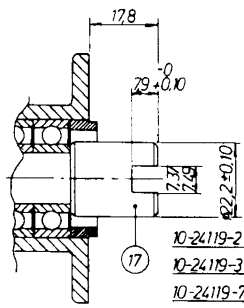
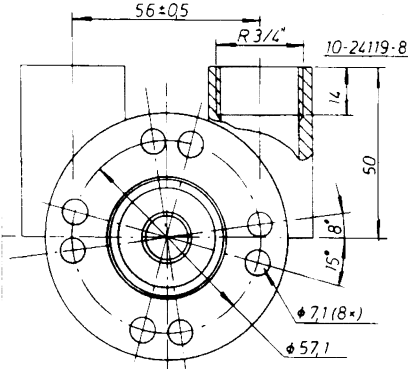
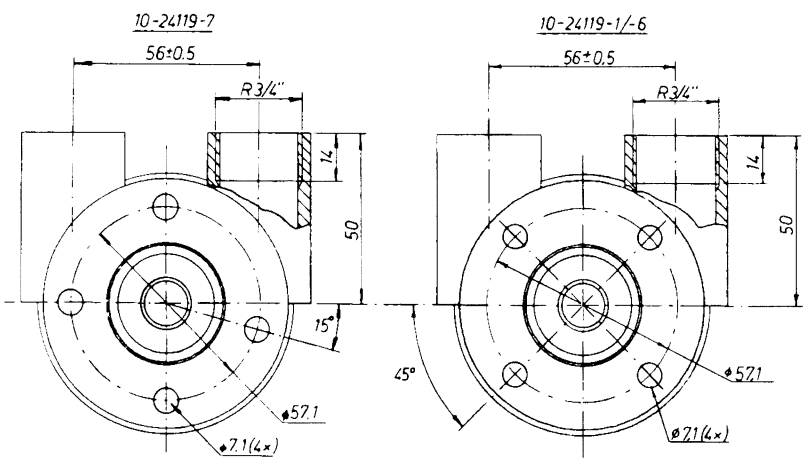


SKALL PÅ BERÄKNING ÅTERKOMMAS OCH FÄR EN FÖR INOMTID SITT ANVÄNDAS TILL BÅDA FÖR SJÄV INOMTID.
JOHNSON PUMP AB, ÖREBRO



SAE involute splines
SAE evolventkugg

Diametrical pitch : 20/40

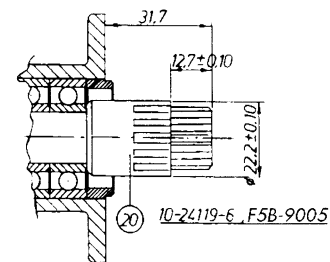
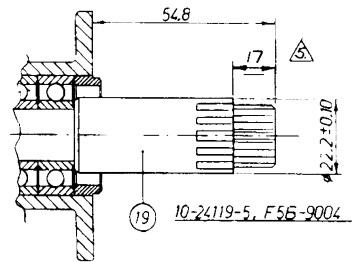
Pressure angle
Pressvinkel : 30°

Number of teeth
Antal kuggar : 13

Major diameter +0
Toppdiameter : 17.78 -0.10

Pitch diameter
Delningsdiameter : 16.51

Minor diameter +0
Kärndiameter : 14.88 -0.20



| 430 | Pos | № | Stavn | 05-04-163 var 162 | 901011 | RE | 2) |
|-----|-------------|---------------|--------------|-------------------|----------|----|----|
| 7 | 10-24119-0 | Ø 71 (B2) | var (42) | | 7.12 84 | ✓ | |
| 6 | 10-24119-0 | Ø 11k | | | 20.11.84 | ✓ | |
| 5 | Mått 17 | var 12.7±0.10 | | | 23.6.79 | ✓ | |
| 4 | 05-06-500 | var 05-06-501 | | | 14.9.78 | ✓ | |
| 3 | Det. nr. 15 | var 05-06-504 | | | 12.9.78 | 0J | |
| 2 | More mått | 15.3-31 | var 15.5±0.1 | | 23.8.78 | ✓ | |
| 1 | 10-24119-7 | Ø 11k | | | | | |

| PUMP NO | PUMPTYP | BODY | DESCRIPTION | CAM KAM NO | SCREW SKRUV | COUPLING KOPPLING |
|------------|----------|------------|-------------|------------|-------------|-------------------|
| PUMP NR | PUMPTYP | PUMPHUS | BENÄMNING | NR | | |
| 10-24119-1 | F5B-9001 | 01-24115-1 | 1/1 | 01-42397 | 05-04-117 | |
| 10-24119-2 | F5B-9002 | 01-24115-1 | 1/1 | 01-42397 | 05-04-117 | 01-45030 |
| 10-24119-3 | F5B-9022 | 01-24115-1 | 1/2 | 01-45014 | 05-04-175 | 01-45030 |
| 10-24119-4 | F5B-9003 | 01-24115-1 | 1/1 | 01-42397 | 05-04-117 | 01-45031 |
| 10-24119-5 | F5B-9004 | 01-24115-1 | 1/1 | 01-42397 | 05-04-117 | 01-45028 |
| 10-24119-6 | F5B-9005 | 01-24115-1 | 1/1 | 01-42397 | 05-04-117 | 01-45029 |
| 10-24119-7 | F5B-9006 | 01-24115-2 | 1/1 | 01-42397 | 05-04-117 | 01-45030 |
| 10-24119-8 | F5B-9007 | 01-24115-3 | 1/1 | 01-42397 | 05-04-117 | 01-45030 |

| | | | | | | | |
|---|------------------|----|---|--------------|----------|--|-----------|
| △ | SPLINES COUPLING | 20 | 1 | KUGGKOPPLING | | | SEE TABLE |
| △ | SPLINES COUPLING | 19 | 1 | KUGGKOPPLING | | | SEE TABLE |
| △ | TOOTHED COUPLING | 18 | 1 | KLOKOPPLING | | | SEE TABLE |
| △ | TOOTHED COUPLING | 17 | 1 | KLOKOPPLING | | | SEE TABLE |
| | WASHER | 16 | 1 | BRICKA | | | 01-45185 |
| | BALL BEARING | 15 | 2 | KULLAGER | 6202 2RS | | 05-08-123 |
| | O-RING | 12 | 1 | O-RING | 12.3x24 | | 05-06-500 |
| | LIP SEAL | 13 | 1 | LÄPPTÄTNING | 16x28x7 | | 05-28-105 |
| | SCREW | 12 | 1 | SKRUV | | | SEE TABLE |
| | SCREW | 11 | 6 | SKRUV | | | 05-04-163 |
| | WEAR PLATE | 10 | 1 | SLITBRICKA | | | 01-42399 |
| | PIN | 9 | 1 | STIFT | | | 01-42400 |
| | CAM | 8 | 1 | KAM | | | SEE TABLE |
| | GASKET | 7 | 1 | PÄCKNING | | | 01-24201 |
| | ENDCOVER | 6 | 1 | LOCK | | | 01-42395 |
| | RUBBER WASHER | 5 | 1 | GUMMIBRICKA | | | 01-42446 |
| | IMPELLER | 4 | 1 | IMPELLER | | | 08-10276 |
| | GUIDE | 3 | 1 | STYRNING | | | 01-45022 |
| | SHAFT | 2 | 1 | AXEL | | | 01-45187 |
| | BODY | 1 | 1 | PUMPHUS | | | SEE TABLE |

Dimensions in mm.
Mått i mm.

| Detail nr | Antal | Benämning | Material | Dimension | Ann. et ritn. nr |
|--|-------------|-----------|----------|-----------|------------------|
| Tolerans där ej annat angivits | Bearbetning | Ritning | Ritad | Godkänd | Småt. ritn. |
| Arbetsmått | Vinklar | Datum | 780221 | | Ann. nr |
| | | Sign. | OJ | | Stycklistans nr |
| Title Johnson Impellerpump F5B-9, 10-24119 | | | | | Skala: 1:1 |