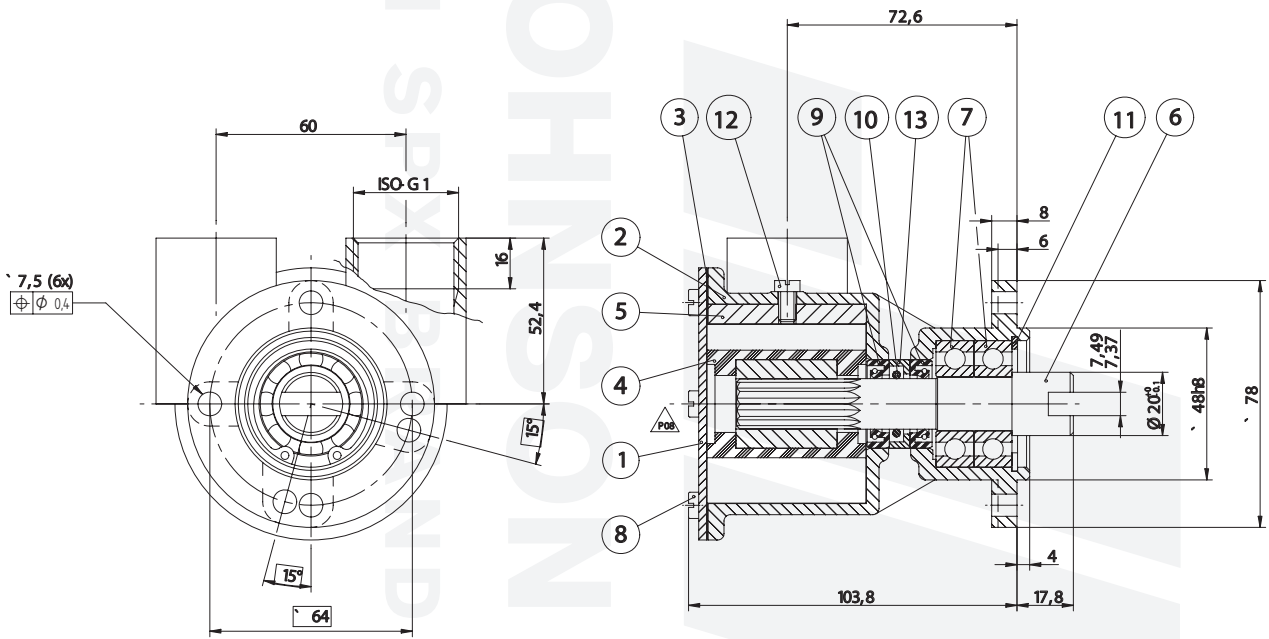


F7B-9 Impeller pump
Art. No 10-24127-1

Service Kit No. 09-45592

Part. No.	Description GB	Position	Quantity
01-42441	ENDCOVER F7B-	1	1
01-24125	BODY F7B-9	2	1
01-42445	GASKET F4B/F7B-	3	1
08-1028B	IMPELLER	4	1
01-42679	CAM 1/1 F7B/F70B	5	1
01-45248	SHAFT F7B-9	6	1
0.3431.483	BALL BEARING 6203	7	2
0.0279.033	SCREW M5X8 ISO1207 BRASS	8	6
0.2233.001	LIP SEAL 16X28X7 DPSM	9	2
0.2173.402	O-RING 15.3X2.4 SS1586 NBR70	10	1
0.0371.040	RETAIN. RING BORE D40 DIN472 SPRST	11	1
01-46794-01	SCREW 12-24UNCX9.5 BRASS	12	1
01-45181	WASHER F5/F7B-9	13	1

Basic size and tolerance according to ISO		Limits of deviation according to ISO	
Deviation	Tolerance	Upper	Lower



Ritning nr Drawing no	Pump nr./ styklista Pump no./ parts list	Pumptyp Pump type	M rkning på lock Mark on endcover
03-24127	10-24127-1	F7B-9	Pumpnr. + pumptyp + veckokod Pumpno. + pump type + weekly code
	10-24127-2	F7B-903	
	10-24127-3	F7B-902	

△
 Detaljnr. enligt stycklista
 Part nos according to parts list

1221	P09	B5	Mark on endcover changed.	960613	IG
514	P08		Ömr. 03-24127 var. 10-24127. Posnumr (nr. Gummibrickar (f.d. p.7) utg. F rönt rön. utg.	910515	PJ
Rev. no. Ändr. nr.	Ändr. Utgivning	Zonen Ändring	Ändring Ändring	Datum Datum	Sign. Sign.

Godkänd av / Approved by			
Devel.	Prod.	Qual.	Mech. works.

Part no. Pos. nr.	Description Beskrivning	Material	Drawing no. Ritnings nr.
JOHNSON PUMP ÖREBRO - SWEDEN	Ör ej annat angivits gäller Unless otherwise stated the following applies:	Surface roughness Ra µm Ytjämnhet Ra µm	
Tolerance Tolerans	Sharp edges broken Skarpa känfiter brutna	Radius Rader	NET weight Kv
Unmachined surface Omaskinerad yta ± IT 12/13	Machined surface Maskinerad yta ± IT 12/13	Fillet radii Värdskredlar	
Part. Title	Edition Utgivning	Scale Skala	Scale Skala
	781122	sign Sign	1:1
Johnson Impeller pump F7B-9, F7B-902, F7B-903		Edition no. Utgivning nr.	03-24127
			P09

The product, i.e. concept, design and construction, is the property of SPX Johnson Pump Marine AB

Engine Cooling, flange-mounted pumps

177

10-24127

pump F7B-9

Engine cooling