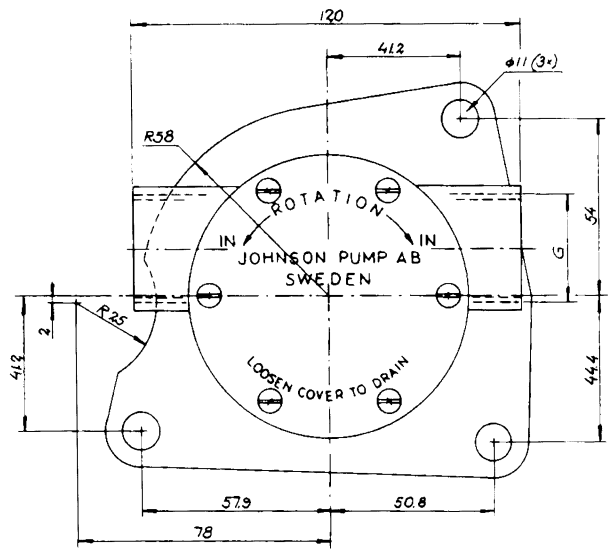
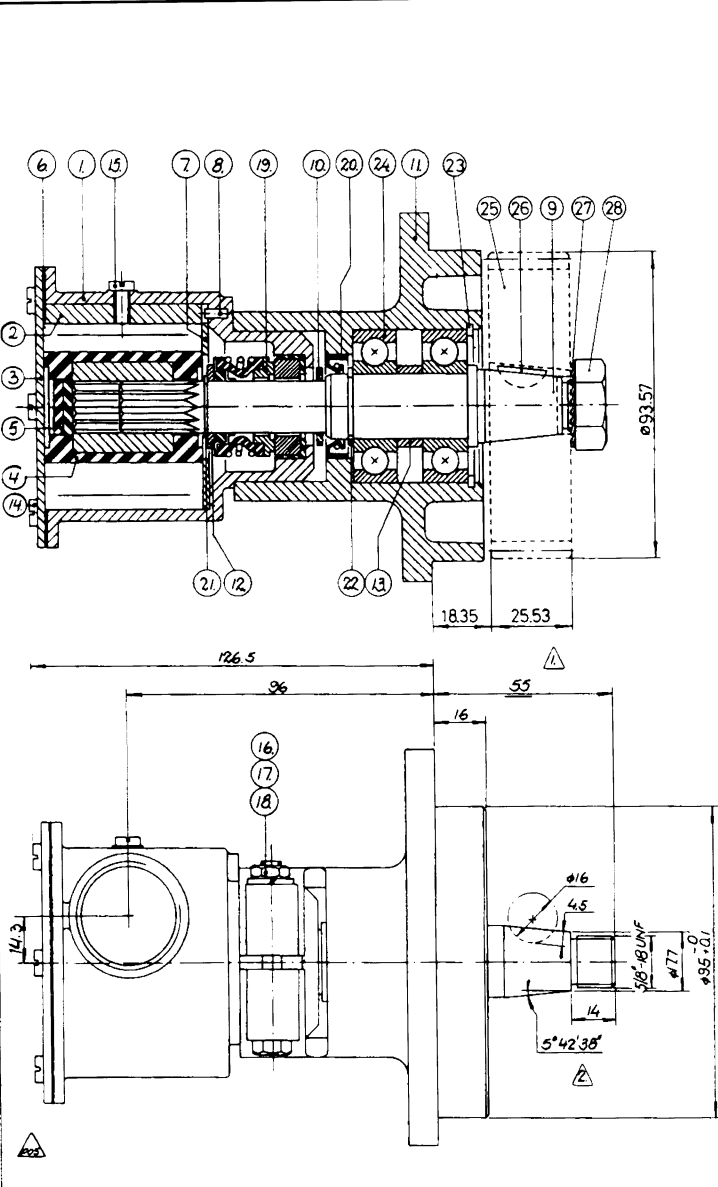


Pump nr	10-24139-1	F7B-9	Pump typ	F7B-9	Pumphus / Body	G	Kam / Cam	Skruv	Kugghjul	Kil	Bricka	Mutter	Märkning på lock
	10-24139-2	F7B-903		F7B-903									
Pump no	10-24139-3	F7B-9	Pump type	F7B-9	G	1 - Rp 1	1/1	05-04-107	01-35200	05-03-119	05-02-511	05-05-510	Mark on endcover
	10-24139-4	F7B-903		F7B-903									
Pump nr	10-24139-5	F7B-9	Pump type	F7B-9	1 - 1/2 NPTF	01-21862-2	2/3	05-04-144	01-35200	05-03-119	05-02-511	05-05-510	Mark on endcover
	10-24139-7	F7B-9		F7B-9									



Nut	26	1	Mutter				See table
Washer	27	1	Bricka				See table
Key	26	1	Kil				See table
Gear	25	1	Kugghjul				See table
Ball bearing	24	2	Kulager	6204			05-08-117
Retaining ring	23	1	Låkring	SqH 47			05-34-117
Retaining ring	22	1	Låkring	SqA 20			05-34-107
Retaining ring	21	1	Låkring	SqA 16			05-34-105
Lip seal	20	1	Läppstämning	20-32-7			05-28-122
Mech seal	19	1	Mek. tätning				05-20-115
Nut	18	1	Mutter	1/4"-20 UNC			05-05-115
Washer	17	1	Bricka	φ6.5			05-01-115
Screw	16	1	Skruv	1/4"-20 UNC			05-04-105
Screw	15	1	Skruv				See table
Screw	14	6	Skruv	M 10-32 UNF x 8			05-04-117
Spacer	13	1	Distanshylsa				01-45323
Washer	12	1	Bricka				01-45174
Bearing house	11	1	Lagerhus				01-24141
Slinger	10	1	Kastarring				01-42402
Shaft	9	1	Axel				01-45324
Pin	8	1	Stift				01-42400
Wearplate	7	1	Slitbricka				01-42443
Gasket	6	1	Packning				01-42445
Rubberwasher	5	2	Gummibricka				01-42446
Impeller	4	1	Impeller				08-1028 B
Endcover	3	1	Lock				01-42441
Cam	2	1	Kam				See table
Body	1	1	Pumphus				See table

001	P06	Ändring av lockmärkning	95-16-27	1/6	RJ
061	A05	10-24139-7-All Pumprysning ändrad	930527	1/1	DR
236	A04	10-24139-5-01-21862-2 tillkommit	890310	1/1	TE
3		10-24139-3 och -4 tillkommit	83-12-13	1/1	LS
2		5°42'38" var 5.3°			
1		5.5 var 5.64	32.80		JE

Part No. / Del nr	Årsnr	Description / Beskrivning	Material	Dimension	Draw No. / Rit nr
<p>This drawing is the property of JP. Produced in accordance with previous issue. Dimensioning in JP's department. Revises: enter guidance.</p> <p>Tolerance unless otherwise noted: Tolerans om ej annat anges. Unmachined surfaces: Osmåttade ytor. Mechanical surfaces: Maskinerade ytor. Obs: Backdate year: 2:11/72. Backdate year: 2:11/42.</p> <p>Sharp edges broken: Skarpa kanter brytas. Surfs not permitted: Grader må ej rita. Radius unless otherwise noted: Radii om ej annat anges. Datum: 15.10.1979. Sign: JE.</p>					
		Title / Titel	Johnson Impellerpump Type F7B-9 10-24139		Scale / Skala: 1:1 Draw No. / Rit nr: 10-24139/60

article number 10-24139 pump F7B-9



Engine cooling