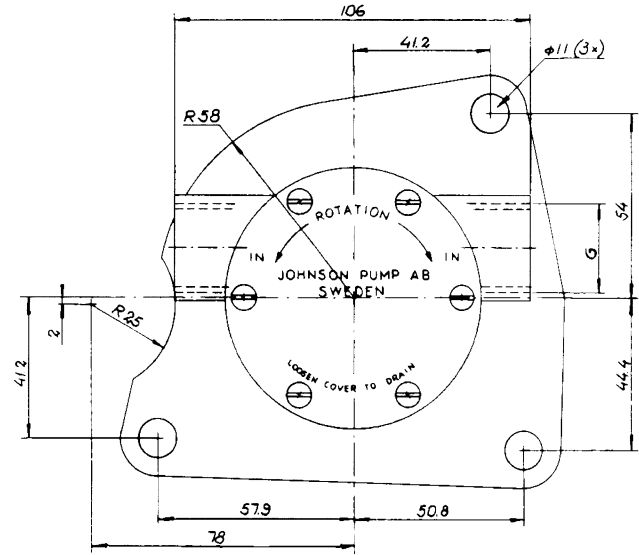
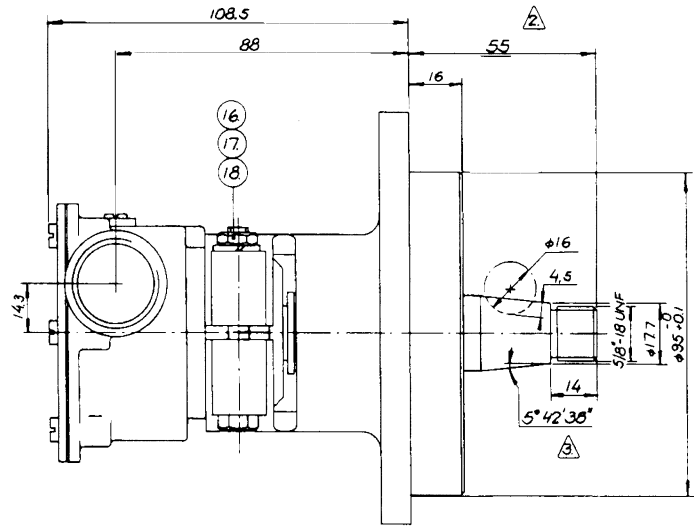
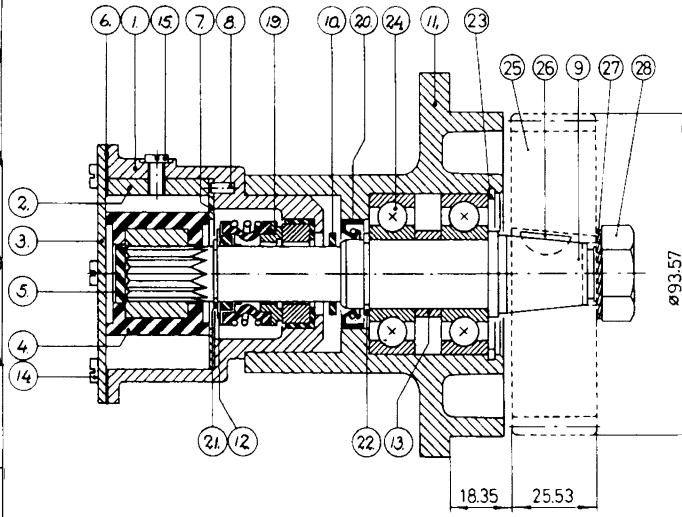


article number 10-24140 pump F5B-9

PUMP NO. PUMP NR.	PUMPTYPE PUMPTYP	BODY/PUMPHUS NO./NR.	THREAD G GANGA	CAM/KAM NO. NR.	SCHEW SMRUV	GEAR KUGGHJUL	KEY KIL	WASHER BRICKA	NUT MUTTER
10-24140-1	F5B-9		R 3/4"	1/1 4.9	01-42397				
10-24140-2	F5B-902	01-31927-2	R 3/4"	1/2 31	01-45014				
10-24140-3	F5B-9			1/1 4.9	01-42397				
10-24140-4	F5B-902			1/2 31	01-45014				
10-24140-5	F5B-9	01-31927-4	NPTF 3/4"	1/1 4.9	01-42397				



Nut	28	1	Mutter		See table
Washer	27	1	Bricka		See table
Key	26	1	Kil		See table
Gear	25	1	Kugghjul		See table
Ball bearing	24	2	Kullager	6204	05-08-117
Retaining ring	23	1	Låsring	SqH 47	05-34-117
Retaining ring	22	1	Låsring	SqA 20	05-34-107
Retaining ring	21	1	Låsring	SqA 16	05-34-105
Lip seal	20	1	Läpp tätning	20-32-7	05-29-122
Mech. seal	19	1	Mek. tätning		05-29-115
Nut	18	1	Mutter	1/4"-20 UNC	05-05-115
Washer	17	1	Bricka	6.5	05-01-115
Screw	16	1	Skruv	1/4"-20 UNC	05-04-105
Screw	15	1	Skruv		See table
Screw	14	6	Skruv	Nr B-32 UNC x 10	05-04-115
Spacer	13	1	Distanshylsa	45323	01-45323
Washer	12	1	Bricka	16-27 x 0.5	05-01-121
Bearing house	11	1	Lagerhus		01-24141
Slinger	10	1	Kastarring		01-42402
Shaft	9	1	Axel		01-48224
Pin	8	1	Stift		01-42400
Wearplate	7	1	Slitbricka		01-42399
Gasket	6	1	Packning		01-42401
Rubberwasher	5	1	Gummirbricka		01-42446
Impeller	4	1	Impeller		08-1027 B
Endcover	3	1	Lock		01-42398
Cam	2	1	Kam		See table
Body	1	1	Pumphus		See table

235	5	10-24140-5 01-31927-4 tillk.	890310	TF
4	4	10-24140-3 och -4 tillkommit	831214	LS
3	3	5°42'38" var 5.5"	32.83	LS
2	2	55 var 56.4		
1	1	SKRUV 05-04-115 var 05-04-117	58.80	LS

This drawing is the property of J.P. Protected in accordance with prevailing law. Denna ritning är J.P:s egendom. Skyddas enligt gällande lag.

Tolerance unless otherwise noted: Tolerans där ej annat anges.

Unmachined surface: Obs/obesl. ytor ± IT 17/2. Machined surface: Res/ber. ytor ± IT 14/2.

Sharp edges broken: Skarpa kanter bryts. Burrs not permitted: Gräddis ej tillåts.

Radius unless otherwise noted: Radus där ej annat anges.

Scale: 1:1

Date: 17/10/1975

Signature: [Handwritten]

Johnson Impellerpump 10-24140