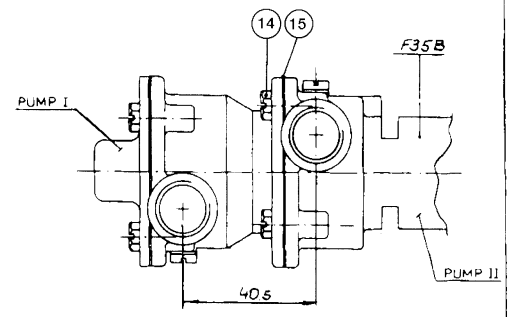
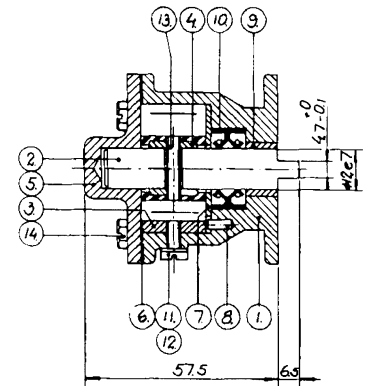


4 st skruvar 05-04-176 pos (14) och 1 st packning 01-43240 samt 1 st packning 01-43400 pos (5), levereras separat och användas för Pump II.  
 4 pcs screw pos (14) and 1+1 pcs gasket pos (5) will be delivered separately to be used for Pump II.

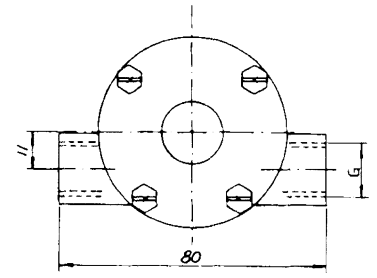


RECOMMENDATION FOR GASKET SELECTION PUMP II

HANDLING		PUMP II	GASKET (5)
Seawater		01-43240 t=0,15	
Closed fresh-water system		01-43400 t=0,40	
		Red marking	



PUMP I



Pump no	Pump 1	Gasket (5)	Cam (3)	Screw (12)	Body (1)	G
10-24143-1	Seawater	01-43240 t=0,15	01-42415	05-04-553		
10-24143-2	Closed fresh-water system	01-43400 t=0,40			01-35062-1	ISO 7/1-Rp 3/8
10-24143-3	Seawater	01-43240 t=0,15	01-42910	05-04-114		
10-24143-4	Closed fresh-water system	01-43400 t=0,40				
10-24143-5	Seawater	01-43240 t=0,15	01-42910	05-04-114	01-35062-3	3/8-18 NPTF

Part No	Qty	Description	Material	Dimension	Draw No
15	1	Packning Gasket		01-43400 (lev. separat)	
14	8	Skruv Screw		05-04-176	
13	1	Skruv Screw		05-04-123	
12	1	Skruv Screw		See table	
11	1	Bricka Washer		05-01-120	
10	1	Lappadring Lipseal		05-29-502	
9	1	Bussning Bush		01-45110	
8	1	Stift Pin		01-42400	
7	1	Slitbricka Wearplate		01-45087	
6	1	Packning Gasket		See table	
5	1	Lock Endcover		01-45359	
4	1	Impeller Impeller		08-808 B	
3	1	Kam Cam		See table	
2	1	Axel Shaft		01-45360	
1	1	Pumphus Body		See table/See table	

Rev	No	Reason for change	Date	Sign
R57	R04	10-11-03	9/2014	AN
S01	R03	05-04-114 Rev 05-04-553 och 05-04-176	9/0325	RJ
	2	10-24143-3 och 10-24143-4	8/01-27	JT
	1	10-24143-2 tillkommit Text ändrad	8/11-03	JM

This drawing is the property of JP. It is issued in accordance with the drawing law. Drawing issued in JP's possession. Skapad enligt gällande lag.

Tolerance unless otherwise noted: Total and detail angles. Unmachined surfaces: Observed year ± 17.12. Machined surfaces: Observed year ± 17.12. Sharp edges broken: Skal på botten tyngt. Burs är inte tillåtet. Greater letters etc.

Radius unless otherwise noted: Radien del i annat avsnitt. Sign: JT.

Date: 20.11.1979

JOHNSON PUMP AB  
ONEBRO SWEDEN  
Tel 018/11 95 50

Title: Johnson Impellerpump  
Type F35B-9 10-24143

Scale: 1:1

Draw No: 10-24142/p03