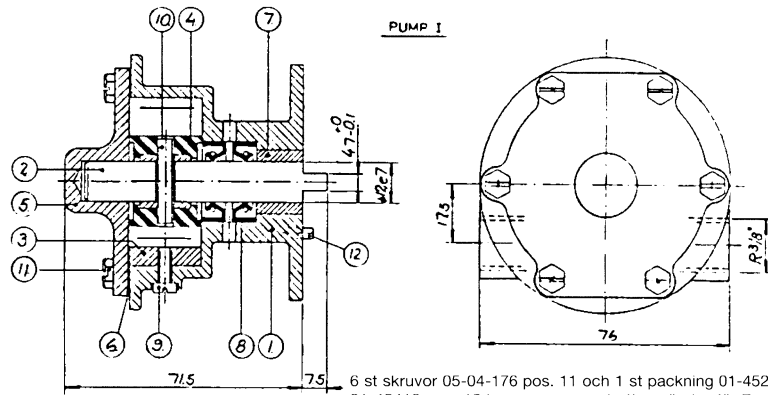


RECOMMENDATION FOR GASKET SELECTION PUMP II

HANDLING	
PUMP II	GASKET (C)
Seawater	01-45284 l=0,15
Closed fresh-water system	01-45410 l=0,40 Red marked



6 st skruvor 05-04-176 pos. 11 och 1 st packning 01-45284 samt 1 st packning 01-45410 pos. 13 levereras separat att användas för Pump II.

6 pcs screw pos. 11 and 1 + 1 pcs gasket pos 13 will be delivered separately to be used for Pump II.

HANDLING		
PUMP NO	PUMP I	GASKET (C)
10-24144-1	Seawater	01-45284 l=0,15
10-24144-2	Closed fresh-water system	01-45410 l=0,40

Pos.	Qty.	Description	Beskrivning	Material	Dimension	Drawing no.
13	1	Gasket	Packning			01-45410 (lev. separat)
13	1	Gasket	Packning			01-45284 (lev. separat)
12	2	Pin	Stift			01-42400
11	12	Screw	Skruv			05-04-176
10	1	Screw	Skruv			05-04-124
9	1	Screw	Skruv			05-04-115
8	2	Lip seal	Läpptätning			05-29-139
7	1	Bushing	Bussning			01-45207-3
6	1	Gasket	Packning			See table
5	1	End cover	Lock			01-42388-2
4	1	Impeller	Impeller			08-810B
3	1	Cam	Kam			01-42389
2	1	Shaft	Axel			01-45313
1	1	Body	Pumphus			01-24122-2

1	10-24144-2 f.f. examinat. Test ändrad	B1-11-02	TWH
Rev. No	Revision	Date	Sign
1			

This drawing is the property of JP. Photocopying or reproduction without permission is prohibited. Drawings are in accordance with ISO standards. Drawings are the property of Johnson Pump AB. Drawings are the property of Johnson Pump AB. Drawings are the property of Johnson Pump AB.

Johnson Pump AB
DREPMO SWEDEN
Tel: 010 11 98 50

Johnson Impellerpump
Type F4B-9 Cooling/Cooling

Scale 1:1
Date 21.11.1977
Drawing no. 10-24144