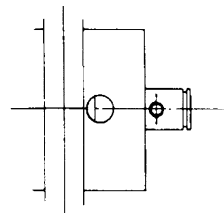
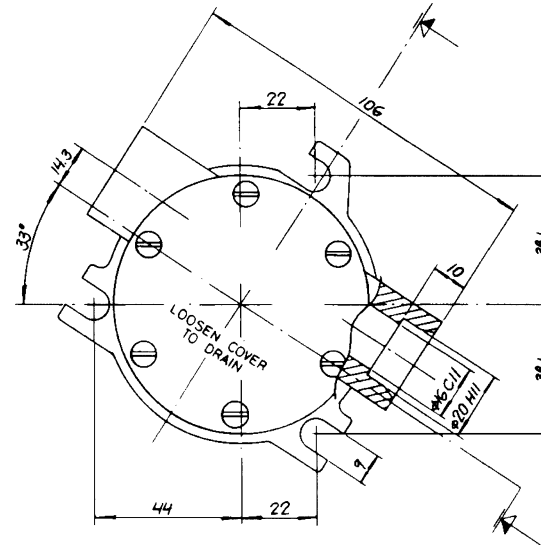
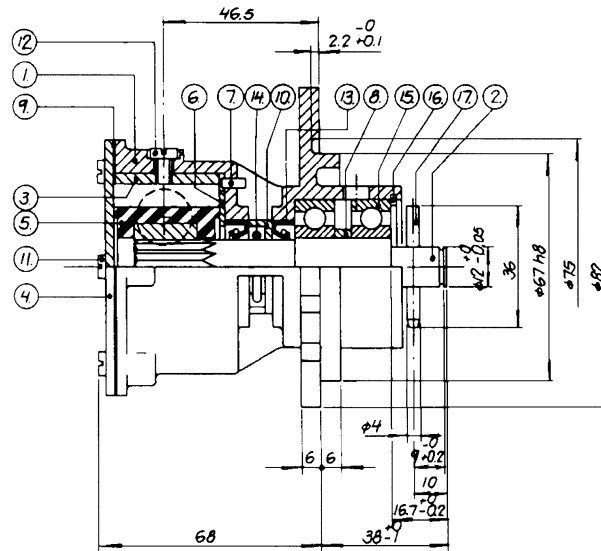


article number 10-24268 pump F5B-9

Pump No. Pump Nr.	Pumptype Pumptyp	Kam Thickness Tjocklek	No. Nr.	Screw Skruv	Impeller	Endcover Lock	Mark on endcover Märkes på lock	Packning Gasket
10-24268-1	F5B-9	1/1 4.9	01-42397	05-04-117	08-1027 B	01-45599		01-42401
10-24268-2	F5B-902	1/2 3.1	01-45014	05-04-175				01-45933
10-24268-3	F5B-9	1/1 4.9	01-42397	05-04-117	08-1027 B	01-42398	F5B-9 + 10-24268-4 + man. year + week	01-42401
10-24268-4	F5B-902	1/2 3.1	01-45014	05-04-175			F5B-902 + 10-24268-5 + man. year + week	



Part No. Del. nr.	Non. Antal	Description Beskrivning	Material	Dimension	Draw. No. Plan. nr.
17	1	Stift Pin			05-03-524
16	1	Lasing Retaining ring			05-34-130
15	2	Kullager Ballbearing			05-08-129
14	1	O-ring			05-06-501
13	2	Lappadring Lipseal			05-29-105
12	1	Skruv Screw			See table
11	6	Skruv Screw			05-04-163
10	1	Distansring Spacer			01-45181
9	1	Packning Gasket			See table
8	1	Distanshylsa Spacer			01-42537
7	1	Stift Pin			01-42400
6	1	Silfvericka wear plate			01-42399
5	1	Impeller			See table
4	1	Lock Endcover			See table
3	1	Kam Cam			See table
2	1	Axel Shaft			01-45821
1	1	Pumphus Body			01-24268

1033	2	Andring av lock, lampa	950227	16	RJ
59	2	20x1.6x59.3 Mill. v. 10-24268-3	513320	20	RJ
103	1	Impeller 07-85x250ersuv 08-1027B	910320	20	RJ
286	1	Pos. 17 05-03-024 var 05-03-118	891018	RE	RJ
3	1	10-24268-4 1.5 filik	851008	1.5	1.5
2	1	10-24268-3 filik	850814	1.5	1.5
1	1	Skruv 05-04-163 var 05-04-162	85-03-28	1.5	1.5

This drawing is the property of J.P. Protected in accordance with or existing law. Copying or using in J.P. legend without written permission is prohibited.

Tolerance unless otherwise noted: ± IT 12/12. Sharp edges broken: Sharpa hörnar brytas. Unmachined surface: Obslagna ytor. Machined surface: Bearbetade ytor ± IT 14/2. Grader tillås etc.

Reduce unless otherwise noted: Fåttas där in annat angives. Datum: 04-12-05. Sign: [Signature]

JOHNSON PUMP AB
ÖREBRO SWEDEN

Title: Johnson Impellerpump 10-24268
Scale: 1:1