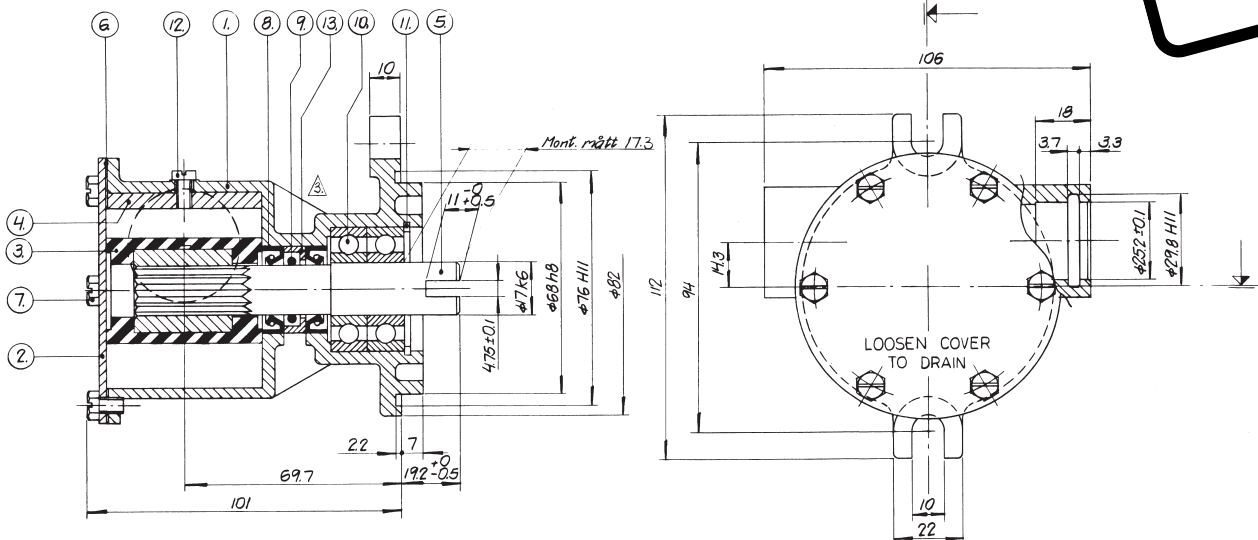


Customer Branded



**F7B-9 Impeller pump
Art. No. 10-24277-1**

Service Kit No. 09-45868

| Pump No. Pump Nr. | Pumptyp Pumptyp | Gasket Packning | Cam Kam | Screw Skruv | Endcover Lock | Mark on endcover Märkes på lock |
|----------------------|--------------------|--------------------|------------|----------------|------------------|--|
| 10-24277-1 | F7B-9 | | 01-42679 | | 01-45598 | 858469 + weekly code |
| 10-24277-2 | F7B-902 | 01-42445 | 01-42584 | | | 858470 + weekly code |
| 10-24277-3 | F7B-9 | | 01-42679 | | 01-42441 | F7B-9 + 10-24277-3 + man.year + week |
| 10-24277-4 | F7B-902 | | 01-42584 | | 01-45698 | F7B-902 + 10-24277-4 + man.year + week |
| 10-24277-5 | F7B-9 | 01-46397 | 01-42679 | | | 858701 + weekly code |

| Part no. | Description GB | Position | Quantity |
|-------------|------------------------------------|----------|----------|
| 01-24062 | BODY F7B-9 | 1 | 1 |
| 01-45598 | ENDCOVER F7B-9 | 2 | 1 |
| 08-1028B | IMPELLER | 3 | 1 |
| 01-42679 | CAM 1/1 F7B/F70B | 4 | 1 |
| 01-45844 | SHAFT F7B-9 | 5 | 1 |
| 01-42445 | GASKET F4B/F7B- | 6 | 1 |
| 0.0141.502 | SCREW M5X8 DIN933SLOTTED BRASS | 7 | 6 |
| 0.2233.001 | LIP SEAL 16X28X7 DPSM | 8 | 2 |
| 0.2173.402 | O-RING 15.3X2.4 SS1586 NBR70 | 9 | 1 |
| 0.3431.483 | BALL BEARING 6203 | 10 | 2 |
| 0.00371.040 | RETAIN. RING BORE D40 DIN472 SPRST | 11 | 1 |
| 01-46794-07 | SCREW 12-24UNCX8 BRASS | 12 | 1 |
| 01-45181 | WASHER F5/F7B-9 | 13 | 1 |

10-24277-5
Manufacturing requirement: 97-24394
Tillverkningsbestämmelse:

| AM nr. | Rev. No. Andr. nr. | Revision Ändring | Date Datum | Sign. |
|--------|-----------------------|---|---------------|----------|
| 1552 | P08 | VP nr 858701 var 861207 | 971125 | AN |
| 1003 | P07 | Ändring av lockstämpel 97-24394 tillk. | 950627 | AS |
| 657 | P06 | 01-46397 tillk. 07-858249 utgåsr. VP nr. 861207 var 858701 | 920625 | TE. / PJ |
| | P05 | Monf. rätt 17.3 tillk | 971116 | TE. |
| | 4. | 10-24277-5 tillk. | 860311 | TE. |
| | 3. | Stödfilans inrättad | 860213 | TE. |
| | 2 | 10-24277-3/4 tillk | 851008 | TE. |
| | 1 | VP-nr. infört | 850809 | TE. |

This drawing is the property of JP. Protected in accordance with prevailing law. Denning ritning är JP's egendom. Skyddad enligt gällande lag.

Tolerance unless otherwise noted
Tolerans om ej annat anges

Unmachined surface
Omräddade ytor

Machined surface
Beri/Beitade ytor

Sharp edges broken
Skarpa kanter avlysta

Burrs not permitted
Grader tillåts inte

Radius unless otherwise noted
Radii om ej annat anges

Ritad
Datum 85-05-02

Scale
Skala 1:1

Draw. No. 10-24277 P08

Johnson Pump AB
OREBRO SWEDEN
Tel 016/11 96 50

Title
Titel Johnson Impellerpump
Type F7B-9, 10-24277

Sign. *JP*