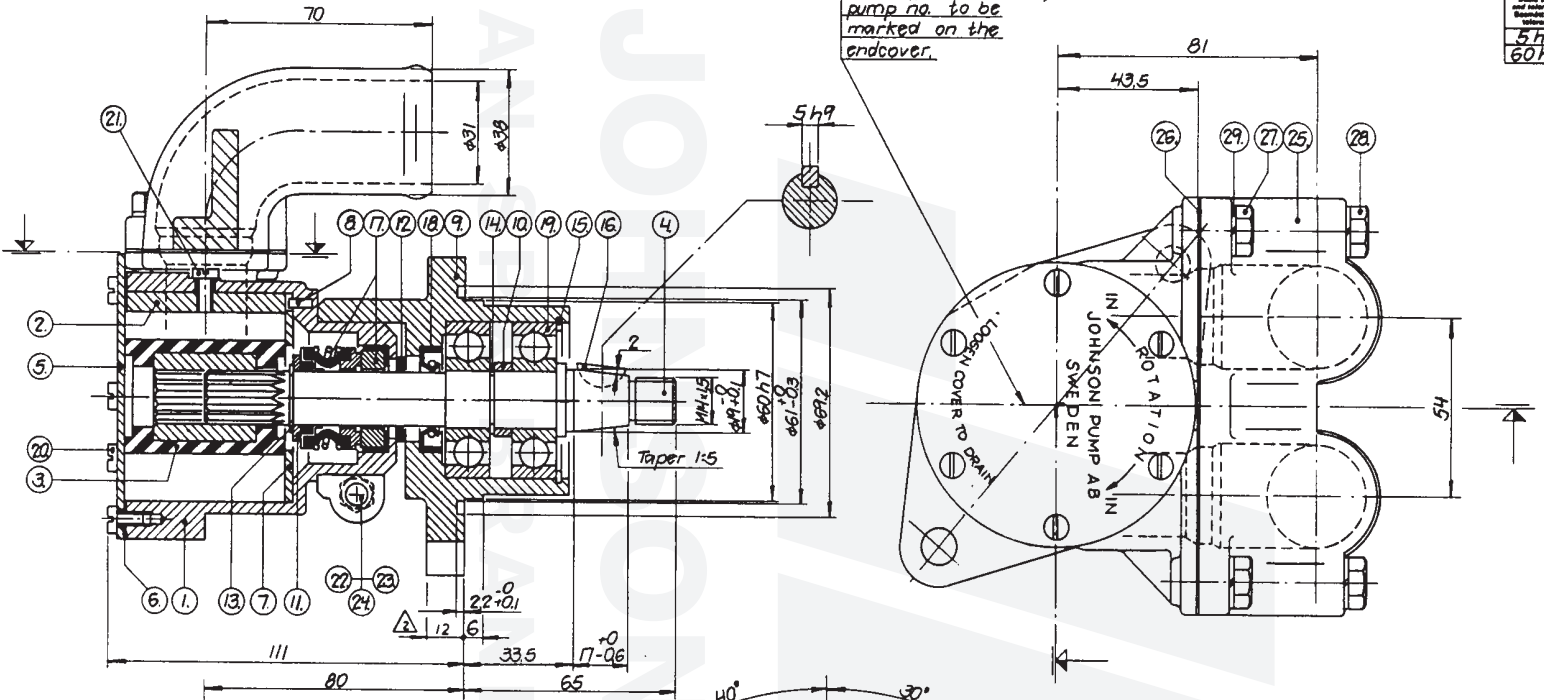


**F7B-9 Impeller pump****Art. No. 10-24365-02**

Part. No.	Description GB	Position	Quantity
01-22151-2	BODY F7B-9	1	1
01-42679	CAM 1/1 F7B/F70B	2	1
08-1028B	IMPELLER	3	1
01-35220	SHAFT F7B-902	4	1
01-42441	ENDCOVER F7B-	5	1
01-42445	GASKET F4B/F7B-	6	1
01-42443	WEARPLATE F7B/F70B	7	1
01-42400	PIN F35B-/F7B/F70B	8	1
01-24254-2	BEARING HOUSING F7B-9	9	1
01-42537	SPACER F5/F7B-9	10	1
01-45174	WASHER F7B-3000/-5000	11	1
01-42402	SLINGER F5/F7B-	12	1
0.0370.516	EXT. CIRCLIP D16 DIN471 PHB	13	1
0.0370.017	EXT. CIRCLIP D17 DIN471 ST	14	1
0.0371.047	RETAIN. RING BORE D47 DIN472 SPRST	15	1
0.0503.032	WOODRUFKEY 5X6.5X16 DIN6888 ST	16	1
0.2247.050	MECH.SEAL COMPL 5/8" 106BT2C1	17	1
0.2233.017	LIP SEAL 16X32X7 DPSM	18	1
0.3431.523	BALL BEARING 6303 ST	19	2
01-46794-05	SCREW 10-32UNFX8 BRASS	20	6
01-46794-01	SCREW 12-24UNCX9.5 BRASS	21	1
0.0144.001	BOLT 1/4"-20UNCX57 SS1943 STZN	22	1
0.0353.402	WASHER D6,5 X D11,8 X1,6	23	1
0.0194.001	NUT 1/4"-20UNC SS1989 8.8ZN	24	1
01-24366	HOSE CONNECTION F7B-9	25	1
01-46138	GASKET F7B-9	26	1
0.0144.002	BOLT 5/16"-18UNCX20 SS1943	27	2
0.0144.005	BOLT UNC5/16"X57 SS1943 8.8ZN	28	2
0.0353.309	SPRINGWASH D8.2 DIN127 STZN	29	4

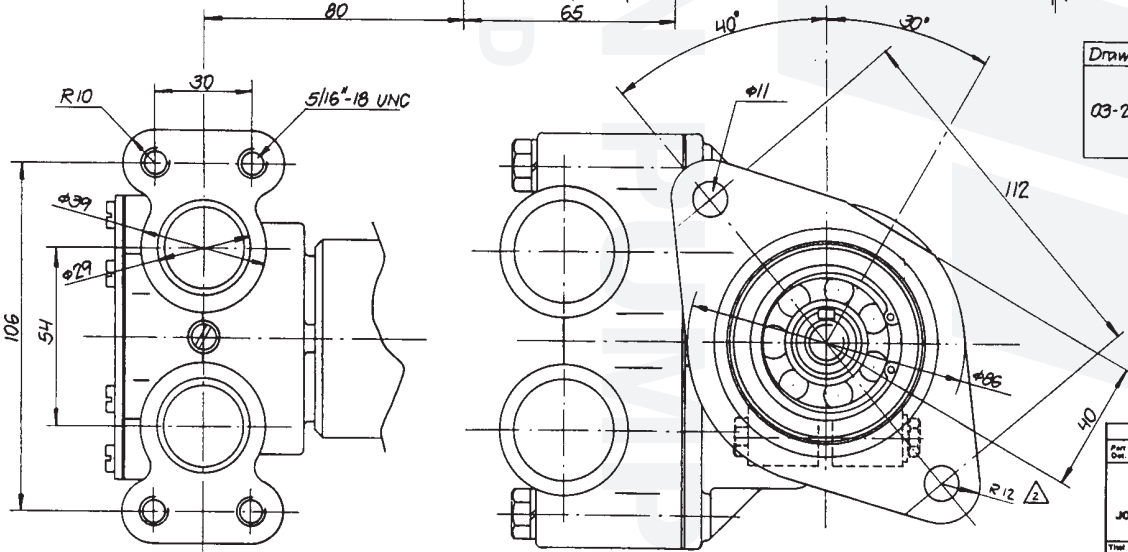
Geometrische Maße nach ISO 1101	Toleranzen	
	Obere Grenze	Untere Grenze
5 h7	0	-0.021
60 h7	0	-0.021

Pumptype and man.year+week and  
pump no. to be  
marked on the  
endcover.



Drawing No.	Pumptype	Pump No.	Remark
03-24365	F7B-9	10-24365-01	Not incl. hose connection Part no. 25, 26, 27, 28, 29
	F7B-9	10-24365-02	Incl. hose connection Part no. 25, 26, 27, 28, 29

Part no's according to Parts list



Part no. Dwg. no.	Man. Zust.	Description Benennung	Material	Drawing no. Bauteil nr.
<p><b>JOHNSON PUMP</b> DRESDEN - BUNDESN</p> <p><b>Johnson Impellerpump</b> Type F7B-9, 10-24365</p> <p>Surface roughness Ra µm: Unmachined surface <math>\geq 12.5</math> Machined surface <math>\leq 1.6</math></p> <p>Other notes: Tolerances: Holes <math>\pm 0.02</math>, Shafts <math>\pm 0.01</math>, Surfaces <math>\pm 0.05</math> Edges: Chamfered <math>\geq 1.5 \times 45^\circ</math> Holes: <math>\geq 1.5 \times 45^\circ</math></p>				
Date 89-07-31		Sign. JT	Scale 1:1	Revision 03-24365

Rev.	Author	Check	Date	Part No.	Material	Quantity	Unit	Notes
01	PL			1003 P03				