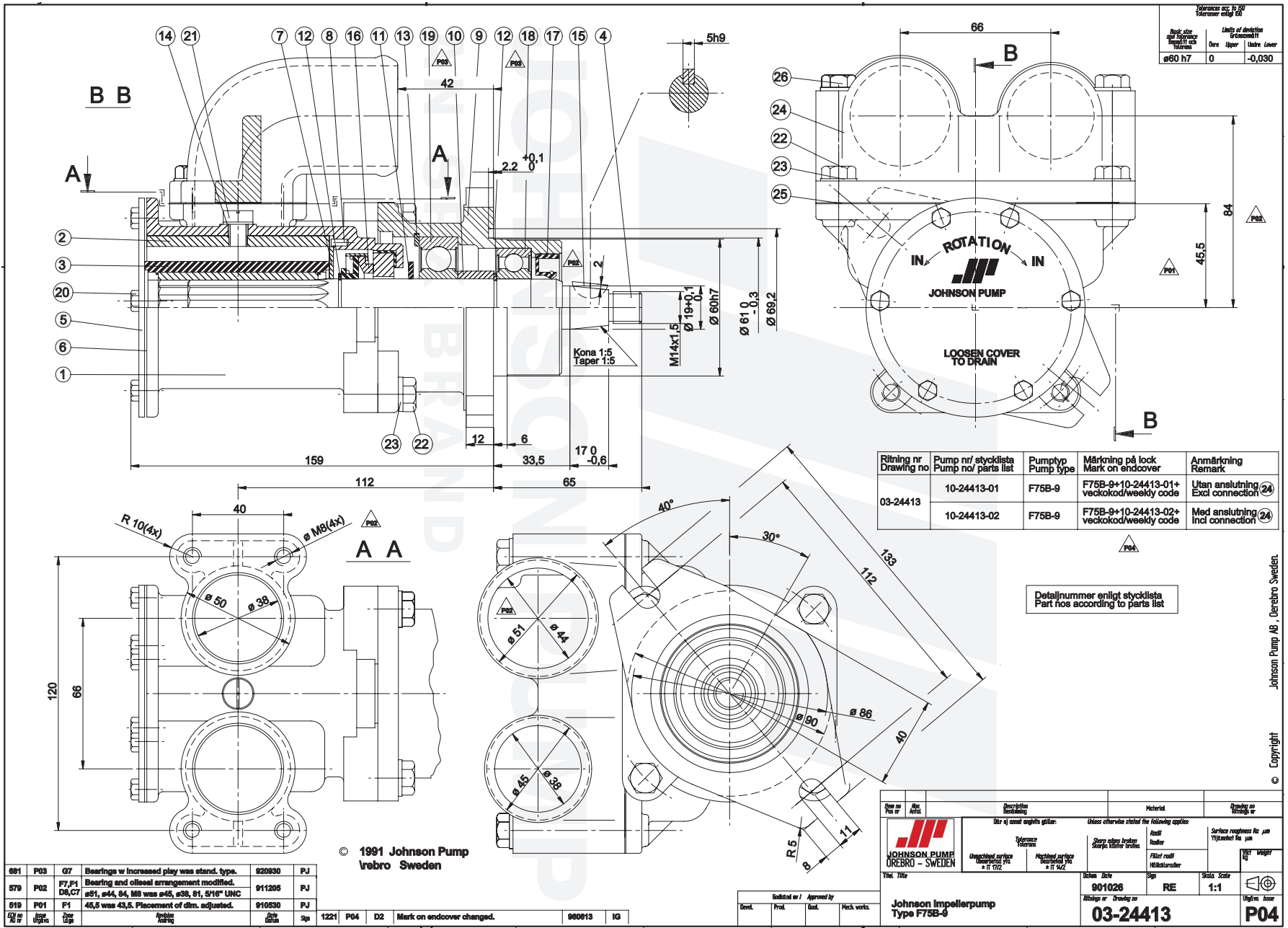


**F75B-9 Impeller pump**  
**Art. No. 10-24413-01**

Part. No.	Description GB	Position	Quantity
01-13123-1	BODY F75B-9	1	1
01-46146	CAM 1/1 F75B	2	1
08-821B	IMPELLER F75B	3	1
01-35685	SHAFT F75B-9	4	1
01-46285	ENDCOVER F75B-9	5	1
01-46286	GASKET F75B	6	1
01-42443	WEARPLATE F7B/F70B	7	1
01-42400	PIN F35B-/F7B/F70B	8	1
01-24414-1	BEARING HOUSING F75B-9	9	1
01-46284-1	SPACER F75B-9	10	1
01-42427-15	SLINGER F8/F9B-	11	1
0.0370.525	EXT. CIRCLIP D25 DIN471 ST	12	2
0.0371.062	RETAIN. RING BORE D62 DIN472 SPRST	13	1
01-46790-02	WASHER D8.2XD14X1 CU	14	1
0.0503.032	WOODRUFKEY 5X6.5X16 DIN6888 ST	15	1
0.2247.008	MECH.SEAL COMPL FA25.47.14	16	1
0.2233.351	LIP SEAL 25X47X10/7	17	1
0.3431.001	BALL BEARING 6205 2 RS C3 ST	18	1
0.3431.044	BALL BEARING 6305 2RS C3 ST	19	1
0.0141.502	SCREW M5X8 DIN933SLOTTED BRASS	20	6
01-46794-12	SCREW M8X12 AL.BRONZE	21	1
0.0141.918	TAP BOLT M8X25 DIN933 8.8ZP	22	4
0.0353.309	SPRINGWASH D8.2 DIN127 STZN	23	4



Tolerance on fit		Tolerance on fit	
Basic size and tolerance	Limit of deviation	Basic size and tolerance	Limit of deviation
Ø or h7	Ø or h7	Ø or h7	Ø or h7
Ø60 h7	0	Ø60 h7	-0,030

Fitting nr Drawing no	Pump nr/ stycklista Pump no/ parts list	Pumptyp Pump type	Märkning på lock Mark on endcover	Anmärkning Remark
03-24413	10-24413-01	F75B-9	F75B-9+10-24413-01+ veckokod/weekly code	Utan anslutning Excl connection
	10-24413-02	F75B-9	F75B-9+10-24413-02+ veckokod/weekly code	Med anslutning Incl connection

Detailnummer enligt stycklista  
Part nos according to parts list

Styck nr Part no	Styck nr Part no	Styck nr Part no	Styck nr Part no	Styck nr Part no	Styck nr Part no	Styck nr Part no
681	P03	G7	Bearings w increased play was stand. type.	920830	PJ	
579	P02	F7,F1 D6,C7	Bearing and oilseal arrangement modified.	911205	PJ	
519	P01	F1	Ø51 was Ø45, Ø44, Ø4, M8 was Ø45, Ø38, Ø1, Ø16 UNC	910530	PJ	
519	P01	F1	Ø5,5 was 43,5. Placement of dim. adjusted.	910530	PJ	

© 1991 Johnson Pump  
Jebro Sweden

Utdrag av / Approved by	
Dev.	Proj. / Guld. / Wick. works.

Item no Post nr	Qty Antal	Description Beskrivning	Material	Quantity on Drawing nr
<p>JOHNSON PUMP DREBRO - SWEDEN</p>				
<p>10-24413</p>				
<p>RE</p>				
<p>1:1</p>				
<p>P04</p>				