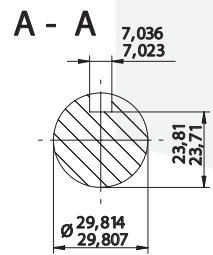
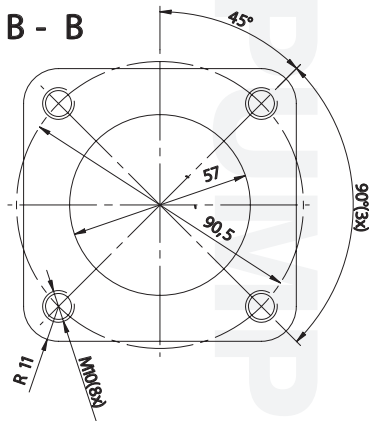
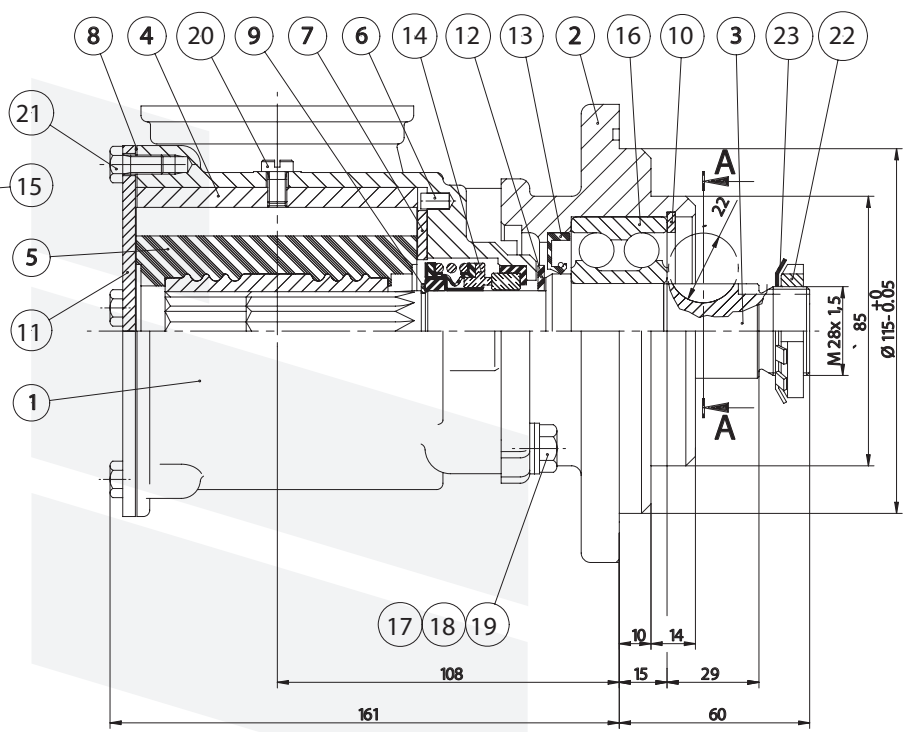
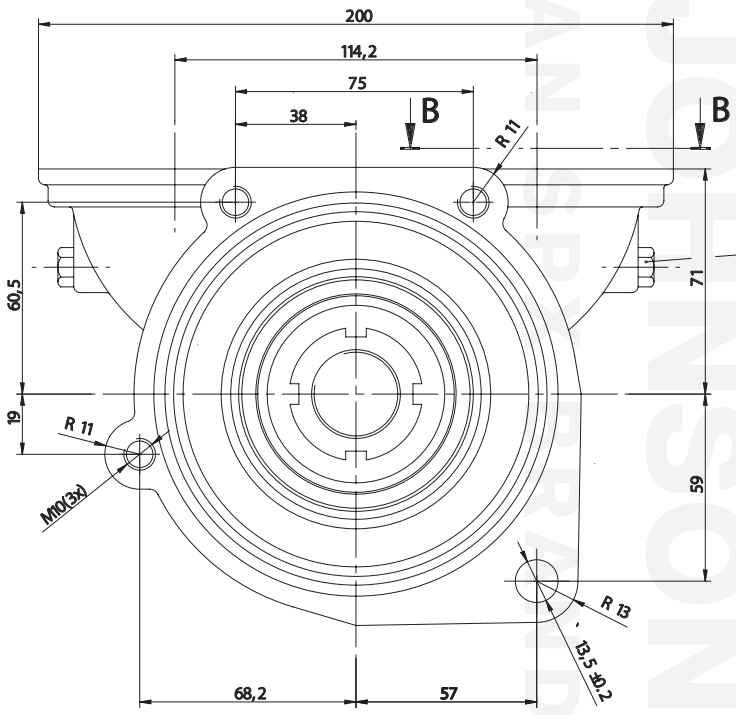


**F9B-9 Impeller pump**  
**Art. No. 10-24430-01**

Part. No.	Description GB	Position	Quantity
01-13003	BODY F9B	1	1
01-24433-1	BEARING HOUSING F9B-9	2	1
01-35698	SHAFT F9B-9	3	1
01-45018	CAM F9B-905	4	1
08-814B	IMPELLER	5	1
01-42426	PIN	6	1
01-42423	WEARPLATE F8/F80/F9/F95B-	7	1
01-42424	GASKET F8B/F9B-	8	1
0.0370.525	EXT. CIRCLIP D25 DIN471 ST	9	1
0.0371.072	RETAIN. RING BORE D72 DIN472 SPRST	10	1
01-42422-1	ENDCOVER F8B/F9B-	11	1
01-42427-15	SLINGER F8/F9B-	12	1
0.2233.016	LIP SEAL 36X62X7 DPSM	13	1
0.2247.051	MECH.SEAL COMPL 1" 106BT2C1	14	1
0.3431.684	ANGULAR CONTACT BEARING 3306ATN9	16	1
0.0353.309	SPRINGWASH D8.2 DIN127 STZN	17	4
0.0350.208	WASHER D 8.4 DIN125B A2	18	4
0.0144.002	BOLT 5/16"-18UNCX20 SS1943	19	4
01-46794-02	SCREW 1/4"-20UNCX10 AL.BRONZE	20	1
0.0144.003	BOLT 1/4"-20UNCX1/2" SS1943	21	5
0.0383.500	LOCK NUT M28x1.5	22	1
0.0383.026	WASHER	23	1

Tolerances etc. for ISO tolerances except ISO		Limits of deviation	
Basic size	Upper tolerance	Upper	Lower
0-18	±0.015	±0.015	±0.015
18-30	±0.020	±0.020	±0.020
30-50	±0.025	±0.025	±0.025
50-70	±0.030	±0.030	±0.030
70-100	±0.035	±0.035	±0.035
100-150	±0.040	±0.040	±0.040
150-200	±0.045	±0.045	±0.045
200-300	±0.050	±0.050	±0.050
300-500	±0.060	±0.060	±0.060
500-1000	±0.070	±0.070	±0.070
1000-1500	±0.080	±0.080	±0.080
1500-2000	±0.090	±0.090	±0.090
2000-3000	±0.100	±0.100	±0.100
3000-5000	±0.120	±0.120	±0.120
5000-10000	±0.150	±0.150	±0.150



Ritning nr Drawing no	Pump nr/ Pump no	styklista parts list	Pump typ Pump type	M (marking) lock Mark on endcover
03-24430	10-24430-01	F9B-9	Pumptyp + pump nr + veckokod Pump type + pump no + weekly code	

Detailnr enligt stycklista  
Part nos according to parts list

Ändr nr Rev. no	Ändr Change	Ändr Change	Ändr Change	Ändr Change	Ändr Change
1221	P02	B1	Mark on endcover changed.	960613	IG
-	P01		Omrättad P01 var B03	910820	PJ

Godkänd av / Approved by			
Level	Prod.	Date	Mech. works.

Item no Pos. nr	Altus	Description Beskrivning	Material	Drawing no Ritning nr
<p><b>JOHNSON PUMP</b> ÖREBRÖ - SWEDEN</p> <p>Önskemärkt yta Desired surface * IT 12.5</p> <p>Önskemärkt yta Desired surface * IT 12.5</p> <p>Önskemärkt yta Desired surface * IT 12.5</p>				
Titel Title		Ändr. nr Change no		Skala Scale
Johnson Impellerpump Type F9B-9		910404		t:1
		03-24430		P02