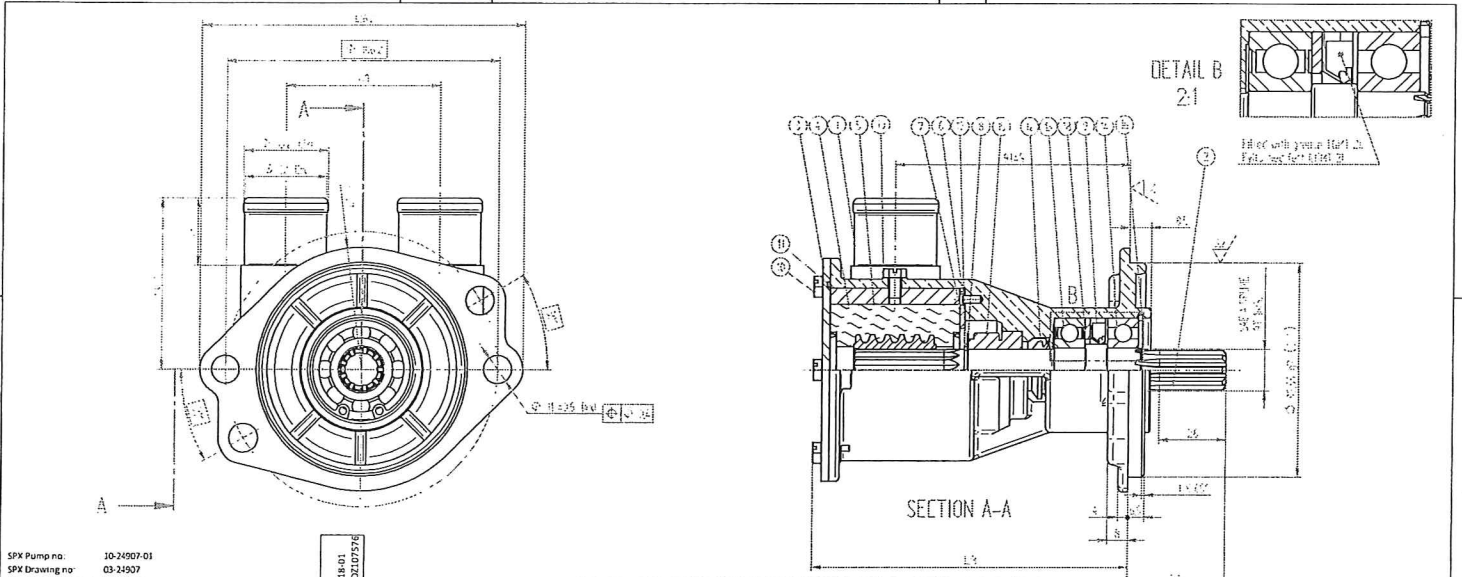


10-24907-01

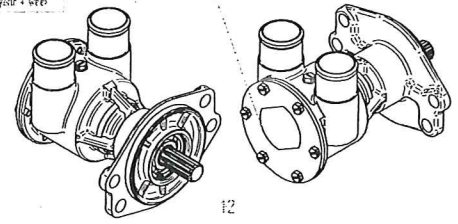
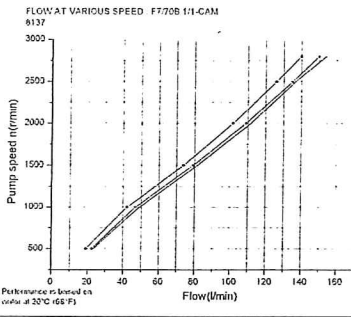


SPX Pump no. 10-24907-01  
 SPX Drawing no. 03-24907  
 John Deere Pump no. D2107518

Pos	SPX Part no	Title	Qty	SPX Part no	John Deere no. D2107518
1	01-13307-1	PUMP BODY F7B 9 JOHN DEERE	1		
2	01-3628-3	SHAFT F7B 9 JOHN DEERE	1	X	
3	01-46618-3	ENDCOVER F7B	1		
4	08-1028B1-1	IMPELLER FT EPDM	1		
5	01-46699	CAM 1/1 F7B	1		
6	01-42400	PIV F35B-F7B-F7CB	1		
7	01-50788-2	WEAR PLATE F7B	1		
8	01-45580	WASHER F35B-F7B-F7CB	1		
9	0-2233-407	LIP SEAL 20X10X8 NBR	1	X	
10	0-0141-505	SCREW M5X8 ISO1017 (A2) SLOTTED	7		
11	0-2172-012	O-RING 63 22X1.78 NBR70	1		
12	0-2230-015	V-RING 15 5-17 S NBR/65SH	1		
13	0-3431-742	BALL BEARING 6203 2 RS1 ST	1	X	
14	0-3431-483	BALL BEARING 6203	1	X	
15	0-2247-022	NEO SEAL COMPL D16	1		
16	0-0371-040	RETAIN RING BORE D10 DN172 SPRST	1	X	
17	0-0370-516	EXT CIRCLIP D16 DN171 PHB	1		
18	01-42427-15	SLINGER F8/FD8	1	X	
19	01-46787	LABEL	1		

Reference in Drawing no	Pump no / Pump part no	Pump type	Markering på lock
03-24907	10-24907-01	F7B-9	Markering på lock Pump type + pump no + shaft part + wear

Delettype enligt produktte Part nos utgörande de parts list



RELEASED BY: [Signature] DATE: 2008-08-20 BY: [Signature] DATE: 2008-08-20 APPROVED BY: [Signature] DATE: 2008-08-20	The component or product designed and approved according to this drawing shall comply with applicable EMC laws and regulations.
<b>SPXFLOW</b> Johnson Pump	IMPELLER PUMP IMPELLERPUMP 03-24907 P01