



BIOVORT™ FILTERS



Features

- Combines both biological and mechanical filtration for the ultimate in water clarity
- Advanced biological filtration to balance your pond
- Vortex separator helps uniformly separate and evenly disperse solids across filter pads (FC-1200 & FC-2400 models only)
- Up-flow design helps settle solids for less maintenance
- Biological media for growth of beneficial bacteria
- Multiple stages provide for maximum filtration
- Filter element (activated carbon) helps reduce toxins that are harmful to aquatic life

1-1/4" FNPT Discharge Port
(adapters included)

Bio Media
provides maximum surface area
for growth of beneficial bacteria

Advanced Carbon
helps reduce toxins that are
detrimental to aquatic life

Filter Pads
capture debris particles
in a mesh filter media

Pressure Gauge Port
accepts 3/4" MNPT pressure gauge
(included on FC-1200 & FC-2400)



Band Clamps
easy to open and close
durable stainless steel

Screen
for added filtration

Seal

Vortex Separator
creates a cyclone-type up-flow to help uniformly
separate and evenly disperse debris across filter
pads and help settle solid debris for less maintenance

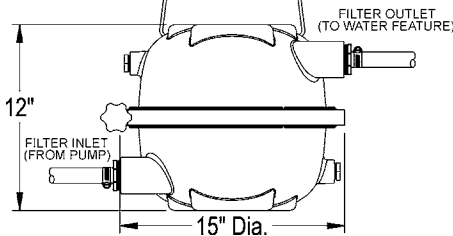
Seal

1-1/4" FNPT Intake Port
(adapters included)

The BioVort™ filter combines biological and mechanical filtration to provide clearer water, a healthier environment, and less maintenance in a pond environment.

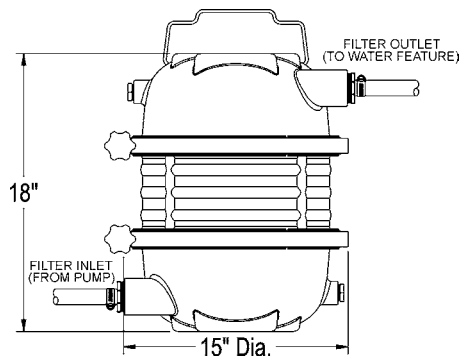
The effectiveness of the BioVort™ is a result of its unique vortex technology. As water enters the filter at the bottom of the canister, the vortex separator spins and evenly distributes the water across a series of filter pads (FC-1200 & FC-2400 models only). As a result, the filter pads become more effective than pads in traditional filters. The water also passes through activated carbon and biological media that help promote the nitrification process in the pond and lead to a healthier ecosystem.

BIOVORT™ FILTERS



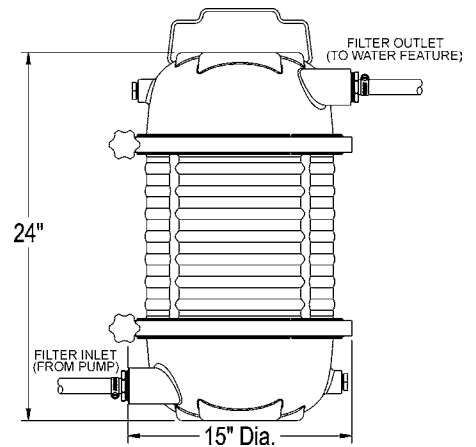
**800 Gallon
BioVort™ Premium Filter
FC-800
No. 566263**

- Biological filtration
- Activated carbon element
- Two 1-1/2" MNPT x 3/4" barbed adapters
- Two 1-1/2" MNPT x 1" barbed adapters
- Recommended flow rate of 500–1000 GPH
- For ponds up to 800 gallons



**1200 Gallon
BioVort™ Premium Filter
FC-1200
No. 566264**

- Biological and mechanical filtration with vortex technology
- Includes vortex separator, filter pads and activated carbon element
- Two 1-1/2" MNPT x 1" barbed adapters
- Two 1-1/2" MNPT x 1-1/4" barbed adapters
- 3/4" MNPT x 3/4" MGHT ball check valve with garden hose cap
- Recommended flow rate of 1000–2000 GPH
- For ponds up to 1200 gallons
- Pressure gauge



**2400 Gallon
BioVort™ Premium Filter
FC-2400
No. 566265**

- Biological and mechanical filtration with vortex technology
- Includes vortex separator, filter pads and activated carbon element
- Two 1-1/2" MNPT x 1" barbed adapters
- Two 1-1/2" MNPT x 1-1/4" barbed adapters
- 3/4" MNPT x 3/4" MGHT ball check valve with garden hose cap
- Recommended flow rate of 1500–3000 GPH
- For ponds up to 2400 gallons
- Pressure gauge

**BioVort™
Replacement Element
No. 566268
FC-RE**

- Annual replacement recommended
- For Models: FC-800, FC-1200, FC-2400

**BioVort™
Replacement Element
No. 566269
FC-RP**

- Includes one fine and one coarse filter pad
- For Models: FC-1200, FC-2400