

Little GIANT®

OPWG-29/46



Features

- Thermally protected, enclosed, fan cooled, permanent split capacitor motor
- 8', 115V power cord (pre-wired for 115V operation)
- 2" FNPT intake and 1-1/2" FNPT discharge ports
- Motors are enclosed for excellent protection and weather resistance
- Low power consumption
- For larger systems, plumb two or more units in parallel to economically multiply the flow

Construction

- Volute — Corrosion-resistant thermoplastic
- Volute Cover — Corrosion-resistant thermoplastic
- Impeller — Glass-filled Noryl®
- Shaft Seal — Carbon/Ceramic



Cost-Saving Efficiency

The Little Giant Professional Series of pumps produce a maximum flow rate with minimal electrical consumption. The dollars saved from reduced operating costs can pay for the pump in a matter of months.

Safety

The Professional Series are end suction centrifugal pumps, designed to be located on the perimeter of the pond. This eliminates the need for wading into the pond to service the pump or pump intake filter. By locating the pump outside of the pond, you also greatly reduce the chance of electrical shock.

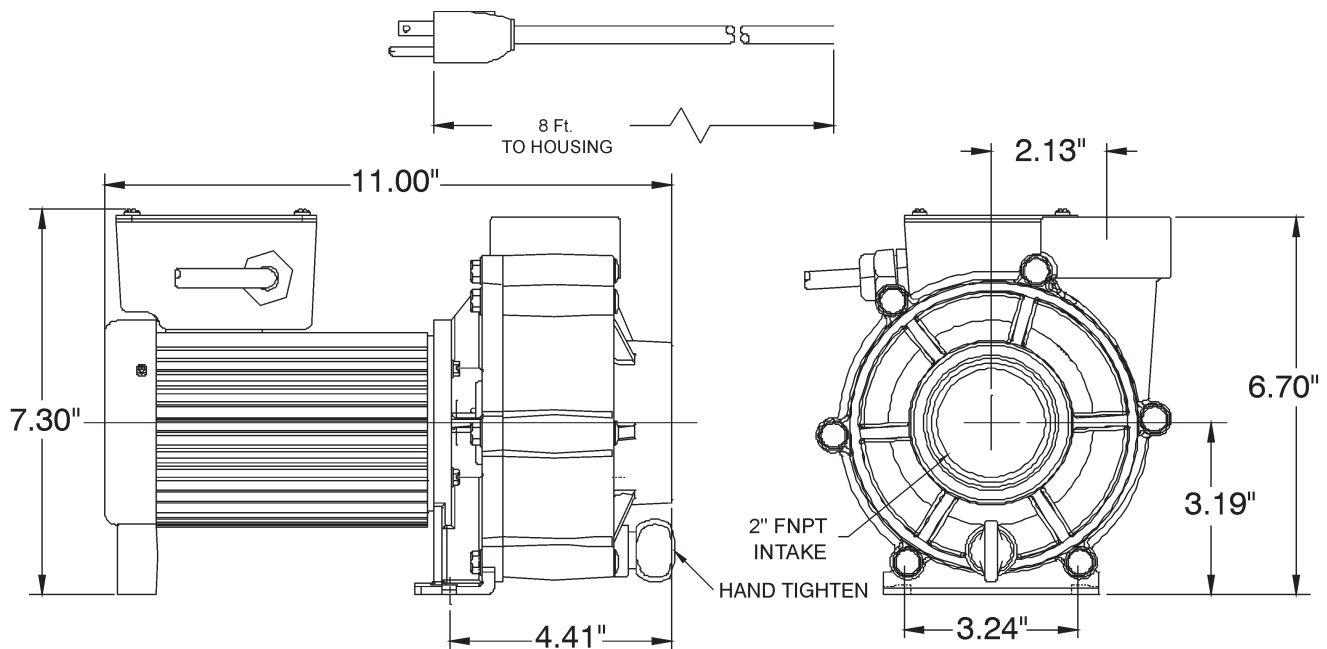
Reliability

The Professional Series was designed with the professional in mind. Built tough, the pump housings are injection-molded of corrosion-resistant thermoplastics, and are mounted to custom-built motors. Each Professional Series pump is thoroughly tested prior to shipment. When properly installed, your pump is designed to provide years of dependable, reliable service.

Quiet Operation

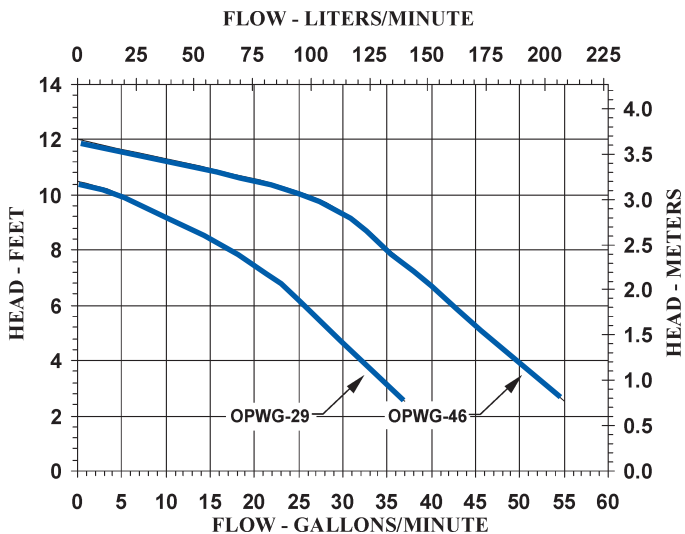
Install these pumps wherever you desire. The Professional Series was designed for water gardening, not industrial applications, generating noise levels equivalent to a small electrical fan at 52 dB.

OPWG-29/46



Specifications

Model No.	Item No.	Listings	Discharge Size	Intake Size	HP	Volts	Hertz	Amps	Watts	Performance (GPM @ Head)				Shut Off		Power Cord (ft.)	Weight (lbs.)	Height (in.)	Length (in.)	Width (in.)
										2.5'	5'	7.5'	10'	Feet	PSI					
OPWG-29	566020	UL/CSA	1-1/2" FNPT	2" FNPT	1/8	115	60	1.1/6	137	37	29	20	5	11	4.8	8	9.12	7.00	10.5	6.80
OPWG-46	566021	UL/CSA	1-1/2" FNPT	2" FNPT	1/8	115	60	1.3/8	174	55	46	37	26	12	5.2	8	9.14	7.00	10.5	6.80



Replacement Parts

166200	Impeller OPWG-29
166201	Impeller OPWG-46
166205	Bracket
166207	Volute
166209	Drain Plug with O-Ring
924041	O-Ring, Volute
926045	Seal Assembly, Ceramic/Carbon



PLEASE READ ALL INSTRUCTIONS BEFORE OPERATING THE OUT-OF-POND WATER GARDEN PUMP. The Out-Of-Pond Water Garden Pump is not self-priming; therefore, if the water source is below the pump, a foot valve must be installed and the pump should be primed prior to startup. Do not restrict the intake of the pump. Do not pump water with temperatures above 95°F. Pipe used for connecting to the intake side of the pump should not be of smaller inside diameter than that of the intake thread designation. THIS PUMP IS NOT SUBMERSIBLE.

NOTE: IT IS IMPORTANT TO LOCATE THE PUMP AS CLOSE AS POSSIBLE TO THE WATER SOURCE. THIS WILL KEEP THE INTAKE PIPING AT A MINIMUM LENGTH. USING LONGER SECTIONS OF PIPE AND ADDITIONAL ELBOWS WILL ADD ADDITIONAL FRICTION LOSSES AND COULD AFFECT THE PRIMING CAPABILITY AND PERFORMANCE OF THE PUMP.

1. Determine a suitable, permanent location near the water source (pond, skimmer, filter, etc.) to mount the pump. There are 3 installation options available for the Out-Of-Pond Water Garden Pump (Figures 2-4).
2. Mount the motor base on a hard, level foundation for all mounting installations. DO NOT install pump below ground level or in a low-lying area where flooding could occur. Make sure that the mounting surface has adequate drainage so that water will not collect around the pump and motor housing. If possible, when installing the pump, place a protective barrier over the pump to protect the motor from heavy rainfall, which could damage the motor and possibly cause electric shock. This barrier should also allow clearance around pump motor for air circulation.
3. Determine what type of water feature will be used with the pump and determine its location in reference to the pump. Perform a preliminary layout of the piping and adapters to determine the proper length of the pipe sections. Minimize the number of elbows used in the intake and discharge lines. This will reduce the friction losses and maximize the pump performance. The intake line coming from the water source should be kept at a minimum length. Once the layout is determined for the water garden pond, begin making the permanent connections for the fittings.
4. Use only plastic PVC-type fittings on both the pump intake and discharge (Table 1). All piping should be 2" PVC or flexible type piping. All threaded connections should be sealed with Teflon tape and the slip-fit piping connections should be sealed with PVC cement. Use compatible cement when connecting PVC piping to PVC adapters or PVC adapters to flexible piping. All piping should be supported and arranged for ease of alignment to the intake and discharge ports on the pump (or with the optional leaf basket). Forcing alignment of the piping to the intake and discharge ports on the pump volute can cause damage to the volute/leaf basket.
5. The Out-Of-Pond Water Garden Pumps are not self-priming. DO NOT RUN THE PUMP DRY. A flooded intake is recommended for optimum performance because it eliminates the risk of running the pump dry or losing prime. THE LEAF BASKET AND ALL HARD PIPING DOWN TO THE FOOT/CHECK VALVE MUST BE FILLED WITH WATER BEFORE RUNNING THE PUMP.
6. For in-line use, install the pump so that the pump head (volute) is flooded when the pump is started. That is, the inlet of the pump must be below the level of the surface of the liquid being pumped (Figure 1).
 When installing the pump above water level, use a foot valve or check valve on the piping leading to the intake of the pump for pumping from the water source (pond, skimmer, filter, etc.) The foot/check valve will maintain the water in the intake line when the pump is not in operation. Figures 2-4 outline some typical installations for the Out-of-Pond Water Garden Pumps. (See Table 1 for pump intake and discharge sizes.)
7. For all installations, an adjustable ball/gate valve should be used above the discharge of the pump. The ball/gate valve helps control the water flow for the water feature being used. When the pump is being serviced, be sure to close off the ball/gate valve to prevent back-flowing of the water from the waterfall/water feature.
8. When installing the pump below water level, an additional ball/gate valve should be installed in the line ahead of the intake or leaf basket so that water flow from the water source can be shut-off for pump maintenance and/or cleaning the leaf basket screen. DO NOT USE THIS VALVE TO RESTRICT THE PUMP INTAKE.

GB INTRODUCTION

This instruction sheet provides you with the information required to safely own and operate your Little Giant pump. Retain these instructions for future reference.

The Little Giant pump you have purchased is of the highest quality workmanship and material, and has been engineered to give you long and reliable service. Little Giant pumps are carefully tested, inspected, and packaged to ensure safe delivery and operation. Please examine your pump carefully to ensure that no damage occurred during shipment. If damage has occurred, please contact the place of purchase. They will assist you in replacement or repair, if required.

READ THESE INSTRUCTIONS CAREFULLY BEFORE ATTEMPTING TO INSTALL, OPERATE, OR SERVICE YOUR LITTLE GIANT PUMP. KNOW THE PUMP'S APPLICATION, LIMITATIONS, AND POTENTIAL HAZARDS. PROTECT YOURSELF AND OTHERS BY OBSERVING ALL SAFETY INFORMATION. FAILURE TO COMPLY WITH THESE INSTRUCTIONS COULD RESULT IN PERSONAL INJURY AND/OR PROPERTY DAMAGE!

SAFETY GUIDELINES



Ensure that the pump is disconnected from the power source before attempting to service or remove any component.

This pump is not submersible.

Do not handle a pump or pump motor with wet hands or when standing on a wet or damp surface, or in water.

This pump is supplied with a grounding conductor and/or grounding-type attachment plug. To reduce the risk of electric shock, ensure that it is connected to a properly-grounded, grounding-type receptacle.

In any installation where property damage and/or personal injury might result from an inoperative or leaking pump due to power outages, discharge line blockage, or any other reason, use a backup system and/or alarm.

Support the pump and its piping during assembly and after installation. Failure to do so may cause damage to the pump and/or piping.

ELECTRICAL CONNECTIONS



This pump must be installed by qualified personnel, following all local electrical and safety codes, as well as the National Electrical Code (NEC) and the Occupational Safety and Health Act (OSHA).

Check the pump label for proper voltage required. Do not connect the pump to any voltage other than that shown.

If your pump is equipped with a 3-prong electrical plug, the third prong grounds the pump to prevent possible electrical shock hazard. Do not remove the third prong from the plug. A separate branch circuit is recommended. Do not use an extension cord when connecting the pump to its power source.

Refer to Table 1 to determine proper voltage. The pumps are pre-configured at the factory for 115V operation. If 230V operation is required, refer to the label on the motor for directions on wiring the pump. BE SURE OF PROPER ROTATION. IMPROPER ROTATION WILL SEVERELY DAMAGE THE PUMP AND VOID THE WARRANTY.

MATERIALS OF CONSTRUCTION

Volute	Glass-filled polypropylene
Impeller	Glass-filled Noryl®
Drain plug.....	Glass-filled polypropylene
Bracket	Glass-filled polypropylene
Seal (impeller).....	Ceramic & Buna-N
Seal (shaft)	Carbon face
O-rings.....	Buna-N
Hardware.....	Stainless steel

LEAF BASKET (OPTIONAL)

Little Giant offers an optional leaf basket for use with the OPWG pumps. The leaf basket is important for providing filtration to the water in the pond and keeping large debris from going into the pump. The leaf basket is a necessity for installations where the pump is located above the water source (Figure 3). The leaf basket is ready for assembly with any of the OPWG series pumps.

FIGURE 1

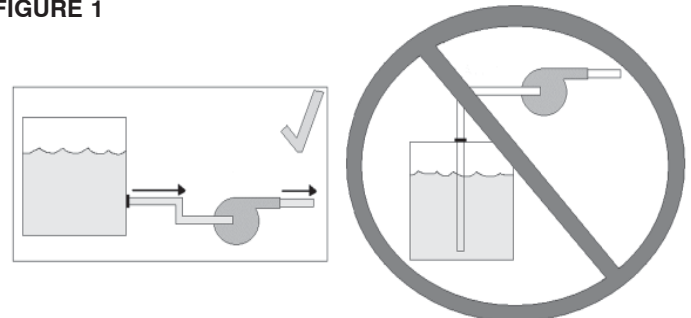
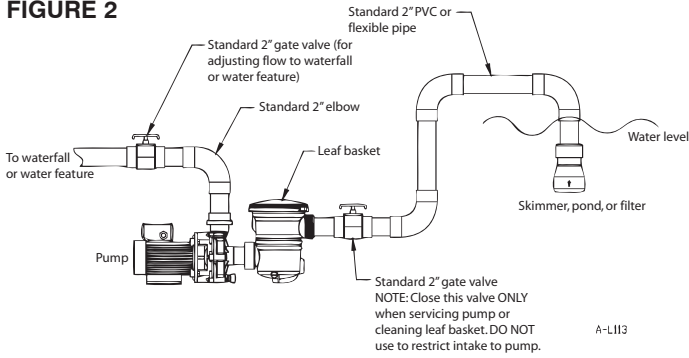
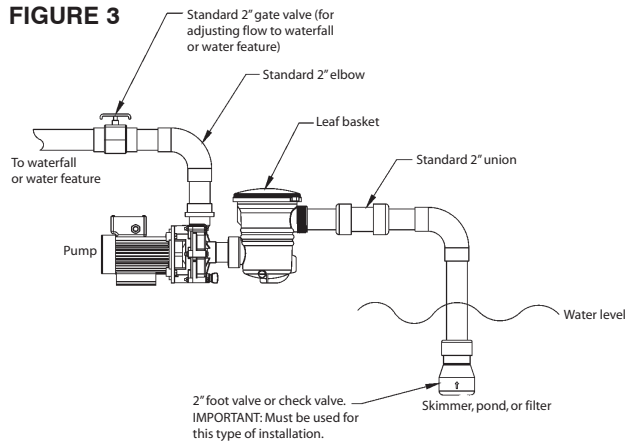


FIGURE 2



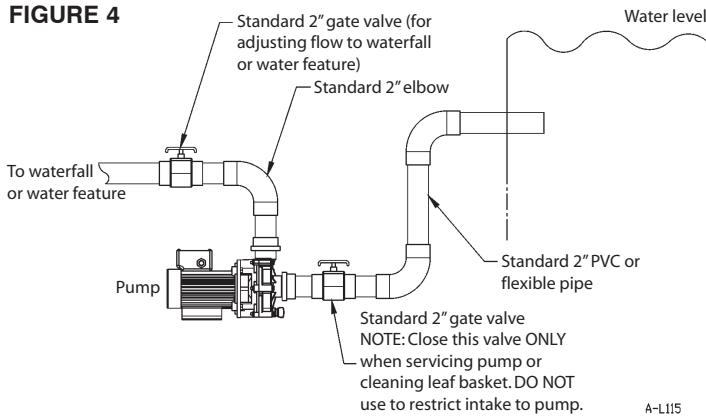
WATER LEVEL ABOVE PUMP INTAKE (WITH LEAF BASKET)

FIGURE 3



PUMP INTAKE ABOVE WATER LEVEL (WITH LEAF BASKET)

FIGURE 4



WATER LEVEL ABOVE PUMP INTAKE (NO LEAF BASKET)

Item Number • Numéro d'article • Número de ítem	Model number • Numéro du modèle • Número de modelo	Intake Size • Volume d'alimentation • Tamaño de la toma de agua	Discharge Size • Volume de descarga • Tamaño de descarga	Voltage • Tension • Voltaje	Cord • Cordon • Cable
566020	OPWG-29	2" NPT	1-1/2" NPT	115	8'
566021	OPWG-46	2" NPT	1-1/2" NPT	115	8'
566023	OPWG-71	1-1/2" NPT	1-1/2" NPT	115/230	n/a
566024	OPWG-97	1-1/2" NPT	1-1/2" NPT	115/230	n/a

MAINTENANCE/REPAIR INSTRUCTIONS



WARNING - DISCONNECT PUMP POWER CORD PRIOR TO WORKING ON THE PUMP OR PERFORMING ROUTINE MAINTENANCE.

- Close gate valves to keep water from back-flowing into pump. Disconnect piping from intake and discharge ports on pump.
- Remove bolts from the volute housing and then remove volute housing. Inspect the volute housing, O-ring, and impeller.
- Remove the impeller from the motor shaft by turning the impeller counter-clockwise. Remove small end cap on other end of motor and use a standard screwdriver on the motor shaft to keep the shaft from rotating.
- The OPWG-29 and OPWG-46 pumps are equipped with a metal washer behind the impeller. If replacing the washer, compare the thickness of the existing washer with the two new washers (provided with the new impeller) and use the one of the same thickness.
- Remove 4 bolts that attach the bracket to the motor. Do not insert screwdriver tip into motor to pry against fan blades for it will damage the fan.
- REPLACING CERAMIC IMPELLER SEAL:** Go through steps 1-3. Remove the damaged seal from the impeller. Be sure to clean out any excess debris in the bore where the old seal was removed. Apply a little water to rubber seal component and with a lint-free cloth push the seal assembly into the impeller bore. Note: Ceramic component must be inserted into rubber boot prior to inserting into impeller seal bore.
- REPLACING THE MECHANICAL SHAFT SEAL/BACKET:** Go through steps 1-4. Apply sealant to the bracket bore ID wall and around the outer diameter of the seal case. Note: Prior to inserting seal into bracket bore, place a small chamfer on the bracket bore. This will make the insertion of the seal easier. **DO NOT TOUCH OR APPLY PRESSURE TO THE CARBON GRAPHITE SEAL FACE.** Install new bracket containing mechanical seal. Make sure the face of the carbon seal is free of any debris and be careful not to damage the face of the seal in the process of re-assembling the components. Note: If replacing the carbon graphite seal it is recommended to replace the ceramic seal in the impeller.
- IF REPLACING THE SLINGER WASHER:** Go through steps 1-4. Remove damaged slinger washer from the motor shaft. Install the new slinger on the shaft. Be sure that the new slinger washer is positioned over the step in the motor shaft. This will keep the washer from sliding along the shaft when the motor is operating.
- Attach bracket to motor, install 4 bolts, and tighten.
- Thread impeller onto shaft and tighten (turn the impeller clock-wise to tighten). Remove motor end-cap and use a screwdriver on the back of motor shaft to prevent shaft rotation while tightening. Replace motor end cap.
- Place O-ring back in the designated groove in the volute and install volute. Be sure that the O-ring remains in the groove while attaching volute to the bracket. Install the volute bolts, apply washers and nuts and tighten.
- Before making connections to the pump check to make sure the impeller rotates CCW (impeller should turn the same direction as the arrow located on the face of the volute). Incorrect rotation will damage the pump and void the warranty! Reinstall pump.

MODEL NO.	ITEM NO.	INTAKE SIZE	DISCHARGE SIZE	MOTOR							MAX PSI	SHUT-OFF HEAD (FT)	GALLONS PER MINUTE						
				VOLTS	HZ	RPM	PH	HP	WATTS	AMPS			5 FT	7.5 FT	10 FT	12.5 FT	15 FT	17.5 FT	20 FT
OPWG-29	566020	2" FNPT	1-1/2" FNPT	115	60	1722	1	1/8	92	1.1	4.8	11	29	20	5	--	--	--	--
OPWG-46	566021	2" FNPT	1-1/2" FNPT	115	60	1653	1	1/8	132	1.3	5.2	12	46	37	26	--	--	--	--
OPWG-71	566023	1-1/2" FNPT	1-1/2" FNPT	115/230	60	1760	1	1/6	257	2.5/1.3	8.9	21	71	65	59	53	45	35	10
OPWG-97	566024	1-1/2" FNPT	1-1/2" FNPT	115/230	60	1720	1	1/4	335	3.0/1.6	9.6	22	97	90	84	77	68	59	45

LUBRICATION: The motor is equipped with permanently lubricated ball bearings (no service required). The shaft seal requires no lubrication after assembly.

FREEZING TEMPERATURES: Drain the pump of water before servicing or if storing pump in below-freezing temperatures.

INTRODUCTION

Cette feuille d'instructions vous fournit les informations nécessaires pour entretenir et faire fonctionner votre produit Little Giant. Conserver ces directives afin de pouvoir les consulter plus tard.

Le produit Little Giant que vous avez acheté a été soigneusement fabriqué avec des matériaux de la plus haute qualité et a été conçu pour durer longtemps et offrir un service fiable. Les produits Little Giant sont soigneusement testés, inspectés et emballés afin d'en assurer la sécurité de fonctionnement et une livraison en bonne condition. Vérifier attentivement le produit afin de vous assurer qu'il n'a pas été endommagé pendant le transport. S'il est endommagé, veuillez contacter l'entreprise qui vous l'a vendu. Si une réparation ou un remplacement est requis, elle vous prêtera assistance.

LIRE ATTENTIVEMENT CES DIRECTIVES AVANT DE PROCÉDER À L'INSTALLATION, À L'UTILISATION OU À L'ENTRETIEN DU PRODUIT LITTLE GIANT. SE FAMILIARISER AVEC LES APPLICATIONS, LES LIMITES ET LES RISQUES POTENTIELS DU PRODUIT. ASSURER SA PROPRE PROTECTION ET CELLE DES AUTRES EN SUIVANT TOUTES LES RÈGLES DE SÉCURITÉ. LE NON-RESPECT DE CES DIRECTIVES PEUT ENTRAÎNER DES BLESSURES ET/OU DES DOMMAGES MATÉRIELS!

DIRECTIVES DE SÉCURITÉ



1. S'assurer que la pompe est débranchée avant de retirer ou de faire l'entretien de toute pièce!
2. Passer en revue toutes les directives avant de procéder à l'installation de la pompe. **CETTE POMPE N'EST PAS SUBMERSIBLE.**
3. Éviter de manipuler avec les mains humides ou en se trouvant sur une surface humide ou mouillée ou bien dans l'eau.
4. Votre pompe vient avec un fil de mise à la terre et/ou une prise à trois branches. afin de réduire le risque de choc électrique, s'assurer que la pompe est branchée à une prise correctement mise à la terre.
5. l'utilisation d'un ou de plusieurs systèmes auxiliaires et/ou d'un système d'alarme est recommandée pour toute installation potentiellement dangereuse (fuite ou défectuosité causées par une coupure de courant, un blocage du circuit de refoulement ou pour toute autre raison) pour les personnes ou la propriété.
6. Immobiliser la pompe et les tuyaux lors de l'installation et de l'utilisation afin d'éviter tout risque de dommages aux tuyaux. À la pompe aux roulements à bille du moteur, etc.

CONNEXIONS ÉLECTRIQUES



1. **CETTE POMPE DOIT ÊTRE INSTALLÉE PAR DU PERSONNEL QUALIFIÉ.** Vérifier que les codes locaux de plomberie et d'électricité sont respectés avant de procéder à l'installation. Cette installation doit respecter les codes locaux ainsi que les règlements les plus récents du Code national de l'électricité (CNE).
2. Consulter l'étiquette de la pompe pour connaître la tension appropriée. Ne pas raccorder à une source autre que la tension spécifiée.
3. Si la pompe est équipée d'une fiche d'alimentation électrique à trois broches, la troisième est destinée à raccorder la pompe à la terre pour éliminer les risques d'électrocution. **NE PAS ENLEVER** cette troisième broche du cordon d'alimentation. Un circuit de branche séparé est recommandé. Ne pas utiliser un prolongateur.
4. Avant de mettre la pompe en marche, consulter Tableau 1 pour déterminer la tension. La configuration type des modèles a été établie à l'usine pour une tension de 115 V. Si une tension de 230 V est requise, consulter l'étiquette du moteur pour déterminer le câblage de la pompe. **S'ASSURER QUE LA ROTATION EST CORRECTE. UNE MAUVAISE ROTATION ENDOMMAGERA GRAVEMENT LA POMPE ET ANNULERA LA GARANTIE.**

MATÉRIAUX DE FABRICATION

Volute	Polypropylène en verre stratifié
Rotor	Norylâ® en verre stratifié
Bouchon de vidange	Polypropylène en verre stratifié
Support	Polypropylène en verre stratifié
Joint (rotor)	Céramique et Buna-N
Joint (arbre)	Face de carbone
Joints toriques	Buna-N
Ferrures de fixation	Acier inoxydable

PANIER À FEUILLES (EN OPTION)

Little Giant offre en option un panier à feuilles utilisable avec les pompes OPWG. Le panier à feuilles joue un rôle important, car il assure la filtration de l'eau du bassin et empêche les gros débris de pénétrer dans la pompe. Le panier à feuilles est requis pour les installations où la pompe est située plus haut que la source d'eau (voir la figure 3). Le panier à feuilles est prêt à être installé avec toute pompe de la série OPWG.

INSTALLATION



VEUILLEZ LIRE TOUTES LES DIRECTIVES AVANT DE FAIRE FONCTIONNER LA POMPE NON SUBMERSIBLE POUR BASSIN DE JARDIN. La pompe non submersible pour bassin de jardin ne s'amorce pas automatiquement ; il faut donc installer un clapet de la température est supérieure à 35 °C (95 °F). Le diamètre interne du tuyau utilisé pour raccorder l'admission d'eau doit être égal ou supérieur au filetage d'admission désigné. **CETTE POMPE N'EST PAS SUBMERSIBLE.**

REMARQUE – IL EST IMPORTANT DE PLACER LA POMPE LE PLUS PRÈS POSSIBLE DE LA SOURCE D'EAU. CELA PERMETTRA DE MINIMISER LA LONGUEUR DE LA TUYAUTERIE D'ADMISSION. L'AJOUT DE SECTIONS DE TUYAUX PLUS LONGUES ET DE COUDES ACCROÎT LES PERTES DUES À LA FRICTION ET PEUT RÉDUIRE LA CAPACITÉ D'AMORÇAGE ET LA PERFORMANCE DE LA POMPE.

1. Trouver un endroit approprié pour installer la pompe de façon permanente près de la source d'eau (filet épuisette, filtre, etc.). La Pompe non submersible pour bassin de jardin peut être installée de trois façons (voir les figures 2 à 4).
2. Tous les types de montage exigent que la base du moteur soit installée sur une fondation ferme et solide. **NE PAS** installer la pompe sous le niveau du sol ou sur un terrain bas susceptible d'être inondé. S'assurer que la surface d'installation est bien drainée et que l'eau ne s'accumulera pas autour de la pompe et de l'enveloppe du moteur. Si possible, placer un couvercle au-dessus de la pompe lors de son installation afin de protéger le moteur des fortes pluies qui pourraient l'endommager et éventuellement causer des chocs électriques. Cependant, ce couvercle protecteur doit laisser un espace libre autour du moteur afin de permettre la circulation de l'air.
3. Déterminer le type d'accessoires utilisés avec la pompe, ainsi que leur emplacement par rapport à la pompe. Dresser un plan préliminaire de la tuyauterie et des adaptateurs afin de déterminer la longueur des sections de tuyaux. Réduire au minimum le nombre de coudes dans les conduites d'alimentation et de refoulement. Cela permet de réduire les pertes de puissance dues à la friction et de maximiser la performance de la pompe. La conduite d'alimentation provenant de la source d'eau devrait être aussi courte que possible. Lorsque la disposition du bassin est déterminée, commencer à placer les conduites permanentes pour les raccords.
4. N'utiliser que des accessoires en PVC sur les conduites d'alimentation et de refoulement de la pompe (Tableau 1). Toute la tuyauterie devrait être d'un diamètre de 5 cm (2 po), en PVC ou en tuyau flexible. Tous les raccords filetés devraient être rendus hermétiques avec du ruban Téflon et les tuyaux à raccord lisse avec du ciment PVC. Utiliser un ciment compatible lors du raccordement d'un tuyau en PVC avec des adaptateurs en PVC ou des adaptateurs en PVC avec des tuyaux flexibles. Toute la tuyauterie doit être soutenue et disposée de manière à faciliter l'alignement des orifices d'alimentation et de refoulement de la pompe (ou avec le panier à feuilles en option). Forcer l'alignement des tuyaux aux orifices d'alimentation et de refoulement sur la volute peut endommager la volute et le panier à feuilles.
5. Les pompes à eau non submersibles pour bassin de jardin ne s'amorcent pas automatiquement. **NE PAS FAIRE FONCTIONNER LA POMPE À SEC.** Pour obtenir une performance optimale, il est recommandé de submerger l'admission et d'éliminer ainsi les risques de faire tourner la pompe à sec ou de perdre l'amorçage. **REMPLIR D'EAU LE PANIER À FEUILLES ET TOUTE LA TUYAUTERIE RIGIDE JUSQU'AU CLAPET DE PIED AVANT DE FAIRE FONCTIONNER LA POMPE.**
6. Dans les installations où la pompe est située au-dessus du niveau d'eau, il est recommandé d'utiliser un clapet de pied ou une soupape de retenue sur la tuyauterie menant à la prise d'alimentation de la pompe pour pomper à partir de la source (c.-à-d. bassin, filet épuisette et filtre). Le clapet de pied permet de retenir l'eau dans la conduite d'alimentation lorsque la pompe ne fonctionne pas (voir les figures 2 à 4).
7. Pour toutes les installations, il est recommandé d'utiliser un robinet-vanne (ou à bille) ajustable au-dessus de la décharge de la pompe. Ce robinet sera très utile pour contrôler le débit d'eau vers les accessoires de la pompe. Quand la pompe est en marche, s'assurer de fermer le robinet afin d'éviter un reflux d'eau provenant de la chute d'eau ou des accessoires.
8. Si une pompe est installée sous le niveau de l'eau, installer également un robinet-vanne (ou à bille) supplémentaire sur la conduite de l'alimentation ou sur celle du panier à feuilles afin que l'écoulement de l'eau provenant du bassin ou de la source puisse être fermé ; cela facilitera l'entretien de la pompe et le nettoyage du tamis du panier à feuilles. **NE PAS UTILISER CE ROBINET POUR RESTREINDRE L'ALIMENTATION DE LA POMPE.**

Les figures suivantes présentent quelques installations typiques pour les pompes à eau externes pour bassin de jardin (tableau 2).

DIRECTIVES POUR L'ENTRETIEN ET LA RÉPARATION

AVERTISSEMENT – Toujours débrancher le cordon d'alimentation électrique avant de travailler sur la pompe ou de procéder à tout entretien de routine.

1. Avant de travailler sur la pompe, fermer les robinets-vannes afin d'empêcher tout reflux d'eau dans la pompe. Débrancher les tuyaux menant aux orifices d'alimentation et de décharge de la pompe. Débrancher la connexion électrique de la pompe.
2. Enlever les boulons du logement de la volute, puis le retirer. Vérifier le logement de la volute, le joint torique et le rotor.
3. Le rotor peut être enlevé de l'arbre du moteur en le faisant tourner dans le sens anti-horaire. Enlever le petit capuchon à l'autre bout du moteur et utiliser un tournevis ordinaire sur l'arbre du moteur pour l'empêcher de tourner.
4. Les pompes OPWG-29 et OPWG-46 sont équipées avec une rondelle métallique en arrière de la turbine. Si le remplacement de la rondelle est requis, comparez l'épaisseur de la rondelle existante à celles fournies avec la nouvelle turbine et utilisez celle qui a la même épaisseur.
5. Enlever les (4) boulons qui retiennent le support au moteur. Ne pas insérer le bout du tournevis dans le moteur, il pourrait faire pression contre les pales et endommager le ventilateur.
6. **POUR REMPLACER LE JOINT DE CÉRAMIQUE DU ROTOR** : Exécuter les étapes 1 à 3. Enlever le joint endommagé du rotor. S'assurer de nettoyer toute accumulation de débris dans l'alésage où vous avez retiré le joint usé. Ajouter un peu d'eau sur la composante caoutchoutée du joint puis pousser l'assemblage du joint dans l'alésage du rotor avec un chiffon non pelucheux. Remarque : La composante en céramique doit être insérée dans l'enveloppe en caoutchouc avant d'être insérée dans l'alésage du joint du rotor.
7. **POUR REMPLACER LE JOINT MÉCANIQUE ET/OU LE SUPPORT DE L'ARBRE** : Exécuter les étapes 1 à 4. Appliquer un enduit d'étanchéité sur la paroi ID de l'alésage du support et autour du diamètre externe du carter de joint. Remarque : Avant d'insérer le joint dans l'alésage du support, y placer un petit chanfrein. Cela facilitera l'insertion du joint. **NE PAS TOUCHER OU APPLIQUER DE PRESSION SUR LE CÔTÉ EN GRAPHITE DE CARBONE DU JOINT**. Installer le nouveau support contenant le joint mécanique. S'assurer que la surface du joint en carbone est exempte de débris et veiller à ne pas endommager cette surface lors du remontage des composants. Remarque : Lors du remplacement du joint en graphite de carbone, il est recommandé de remplacer aussi le joint en céramique du rotor.
8. **LA RONDELLE CHASSE-GOUTTES** : Exécuter les étapes 1 à 4. Retirer la rondelle chasse-gouttes endommagée de l'arbre du moteur. Installer la nouvelle rondelle sur l'arbre. S'assurer que la nouvelle rondelle chasse-gouttes est placée sur le grain de crapaudine de l'arbre du moteur. Cela empêche la rondelle de glisser le long de l'arbre lorsque le moteur est en marche.
9. Fixer le support au moteur, installer les 4 boulons et serrez.
10. Replacer le rotor sur l'arbre en le tournant dans le sens horaire. Enlever le capuchon du moteur et utiliser un tournevis à l'arrière de l'arbre du moteur afin d'en empêcher la rotation lors du serrage. Replacer ensuite le capuchon.
11. Replacer le joint torique dans la rainure désignée dans la volute et installer la volute. S'assurer que le joint torique demeure dans la rainure lorsque la volute est fixée au support. Installer les boulons de la volute, poser les rondelles et les écrous, puis serrer.
12. Avant de remettre les conduites sur la pompe, s'assurer que le rotor tourne dans le sens anti-horaire (le rotor devrait tourner dans le même sens que la flèche apparaissant sur le devant de la volute). Une rotation incorrecte endommagera la pompe et annulera la garantie ! Réinstaller la pompe.

LUBRIFICATION: Le moteur est muni de roulements à billes lubrifiés de façon permanente (aucun entretien requis).

Le joint de l'arbre ne requiert aucune lubrification après l'assemblage.

TEMPÉRATURES INFÉRIEURES AU POINT DE CONGÉLATION: L'eau doit être vidée de la pompe avant tout entretien ou si la pompe est entreposée à des températures sous le point de congélation.

INTRODUCCION

Esta hoja de instrucciones le proporciona la información requerida para tener y operar de forma segura su producto Little Giant. Guarde las instrucciones para referencia futura.

El producto Little Giant que ha adquirido se fabrica utilizando mano de obra y materiales de la más alta calidad y ha sido diseñado para prestarle un servicio duradero y confiable. Los productos Little Giant son cuidadosamente probados, inspeccionados y empacados para garantizarle una entrega y operación seguras. Examine su unidad cuidadosamente para asegurarse de que no haya ocurrido ningún daño durante el transporte. Si se ha presentado algún daño, comuníquese con el lugar de compra. Deberán darle asistencia para obtener la reparación o reemplazo, si se requiere.

LEA ESTAS INSTRUCCIONES CUIDADOSAMENTE ANTES DE INTENTAR INSTALAR, HACER FUNCIONAR O PRESTAR SERVICIO TÉCNICO A SU PRODUCTO LITTLE GIANT. CONOZCA CUÁLES SON LAS APLICACIONES, LIMITACIONES Y PELIGROS POTENCIALES DE LA UNIDAD. PROTEJA A TERCEROS Y PROTÉJASE A USTED MISMO SIGUIENDO TODA LA

INFORMACIÓN DE SEGURIDAD. ¡LA FALTA DE CUMPLIMIENTO DE ESTAS INSTRUCCIONES PUEDE PRODUCIR LESIONES PERSONALES Y/O DAÑOS A LA PROPIEDAD!

REGLAMENTO DE SEGURIDAD



1. Asegúrese que la bomba esté desconectada de la fuente eléctrica antes de darle servicio o quitar algunos de sus componentes.
2. Revise todas las instrucciones antes de intentar instalar la bomba. **ESTA BOMBA NO ES SUMERGIBLE**.
3. No manipule la unidad con las manos mojadas o cuando esté parado sobre una superficie mojada o húmeda o en agua.
4. Esta bomba se suministra con un conductor a tierra y/o un enchufe de conexión de tipo de conexión a tierra. Para reducir el riesgo de descarga eléctrica asegúrese de conectar la unidad a un receptáculo del tipo polarizado y adecuadamente conectado a tierra.
5. En cualquier instalación donde puedan ocurrir daños materiales y/o lesiones personales que resulten del funcionamiento inadecuado o de fugas en la bomba a causa de fallos en la alimentación eléctrica, bloqueo de la línea de la descarga, o cualquier otra razón, se debe usar uno o varios sistemas de respaldo y/o alarmas.
6. Apoye la bomba y la tubería durante el ensamblado de la unidad y al completar la instalación. El no hacerlo así puede causar la ruptura de la tubería, el fallo de la bomba, el fallo de los cojinetes del motor, etc.

CONEXIONES ELECTRICAS!



1. **ESTA BOMBA DEBE SER INSTALADA POR PERSONAL CALIFICADO**. Verifique los reglamentos de construcción y de electricidad locales antes de la instalación. La instalación se debe llevar a cabo de conformidad con dichos reglamentos así como con el Código Nacional de Electricidad (NEC).
2. Consulte el rótulo de la bomba, para conocer el voltaje adecuado que se requiere. No la conecte a un voltaje distinto del indicado.
3. Si la bomba está dotada de un enchufe eléctrico de tres dientes, el tercer diente es para ponerla a tierra, con el fin de prevenir el peligro de posibles choques eléctricos. **NO QUITE** el tercer diente del enchufe. Se recomienda un circuito de ramal independiente. No utilice cables de extensión.
4. Consulte Tabla 1 para determinar el voltaje antes de hacer funcionar la bomba. Los modelos se configuran previamente en la fábrica para un funcionamiento con 115V. Si se requiere que la bomba funcione con un voltaje de 230V, consulte la etiqueta sobre el motor para obtener las instrucciones sobre el cableado de la bomba. **ASEGÚRESE DE LA ROTACIÓN ADECUADA. UNA ROTACIÓN INAPROPIADA DAÑARÁ LA BOMBA SEVERAMENTE E INVALIDARÁ LA GARANTÍA.**

MATERIALES DE FABRICACIÓN

Voluta	Polipropileno con fibra de vidrio dispersa en su interior
Impulsor	Noryl® con fibra de vidrio dispersa en su interior
Tapón de purga	Polipropileno con fibra de vidrio dispersa en su interior
Abrazadera	Polipropileno con fibra de vidrio dispersa en su interior
Sello (impulsor)	Cerámica y Buna-N
Sello (eje)	Capa de carbono
Junta tórica	Buna-N
Hardware	Acero inoxidable

CANASTILLA PARA HOJAS (OPCIONAL)

Little Giant ofrece una canastilla para hojas opcional para ser utilizada con las bombas OPWG. La canastilla para hojas es importante, ya que permite la filtración al agua en el estanque y evita que los desperdicios grandes ingresen a la bomba. La canastilla para hojas es necesaria en instalaciones en que la bomba se encuentra ubicada por encima de la fuente de agua (véase figuras 1 y 2). La canastilla para hojas viene lista para ensamblar con cualquiera de las bombas de la serie OPWG.

INSTALACION

SÍRVASE LEER TODAS LAS INSTRUCCIONES ANTES DE HACER FUNCIONAR LA BOMBA FUERA DE ESTANQUE PARA JARDÍN ACUÁTICO. La bomba fuera de estanque para jardín acuático no es autocebante; por lo tanto, si la fuente de agua se encuentra por debajo del nivel de la bomba, se debe instalar una válvula de aspiración y se debe cebar la bomba antes de hacerla funcionar. No restrinja la toma de agua de la bomba. No bombee agua a temperaturas mayores de 95°F (35°C). La tubería utilizada para conectar la toma de agua de la bomba no debe ser de un diámetro interior menor que el de la designación de la rosca de la toma. **ESTA BOMBA NO ES SUMERGIBLE**.

NOTA – ES IMPORTANTE UBICAR LA BOMBA LO MÁS CERCA POSIBLE A LA FUENTE DE AGUA. ESTO MANTENDRÁ EL TUBO DE ADMISIÓN DE UNA LONGITUD MÍNIMA. UTILIZAR SECCIONES MÁS LARGAS DE TUBERÍA Y CODOS ADICIONALES AÑADIRÍA PÉRDIDA DE FRICCIÓN Y PODRÍA AFECTAR LA CAPACIDAD DE CEBADO Y EL RENDIMIENTO DE LA BOMBA.

- Determine la ubicación adecuada para montar la bomba en forma permanente en un lugar cercano a la fuente de agua (succionador, filtro, etc.) Existen tres (3) opciones de instalación de la bomba fuera de estanque para jardín acuático. (Véase figuras 1-3).
- La base del motor se debe montar sobre una base nivelada y firme para todas las instalaciones de montaje. NO instale la bomba debajo del nivel del suelo o en un área baja donde se puedan producir inundaciones. Asegúrese de que todas las superficies de montaje cuenten con el drenaje apropiado de modo que el agua no se empoce alrededor de la bomba o caja del motor. Si es posible, cuando instale la bomba, coloque una barrera protectora sobre la bomba a fin de proteger el motor contra lluvias fuertes que podrían dañar el motor y posiblemente causar choques eléctricos. Asimismo, esta barrera protectora debe permitir la circulación de aire alrededor del motor de la bomba.
- Determine qué dispositivo / característica tendrá el agua del estanque que se utilizará con la bomba y determine su ubicación en relación con la bomba. Realice una distribución preliminar de la tubería y los adaptadores para determinar la longitud adecuada de las secciones de la tubería. Minimice la cantidad de codos en las tuberías de descarga y de admisión. Esto reducirá las pérdidas de fricción y maximizará el desempeño de la bomba. La tubería de admisión que proviene de la fuente de agua debe tener una longitud mínima. Una vez que se determine la distribución del estanque para jardín acuático, inicie las conexiones permanentes para los acoplamientos.
- Utilice sólo acoplamientos plásticos tipo PVC tanto en la toma de agua como en la descarga de la bomba (Tabla 1). Toda la tubería debe ser de PVC de 2 pulg. (50,8 mm) o tipo flexible. Todas las conexiones roscadas se deben sellar con cinta de teflón y las conexiones de la tubería de ajuste exacto se deben sellar con cemento de PVC. Utilice cemento compatible cuando conecte la tubería de PVC a los adaptadores de PVC o los adaptadores de PVC a la tubería flexible. Se debe reforzar toda la tubería y disponer un fácil alineamiento con los puertos de admisión y descarga en la bomba (o con la canastilla para hojas opcional). Forzar el alineamiento de la tubería con los puertos de admisión y descarga en la voluta puede causar daño a la voluta de la bomba / canastilla para hojas.
- Las bombas de agua fuera de estanque para jardín acuático no son autocebantes. NO HAGA FUNCIONAR LA BOMBA SIN AGUA. Para un desempeño óptimo de la bomba, se recomienda una toma llena de agua a fin de eliminar el riesgo de hacer funcionar la bomba seca o con pérdida de cebado. LA CANASTILLA PARA HOJAS Y TODA LA TUBERÍA CONECTADA A LA VÁLVULA DE ASPIRACIÓN / RETENCIÓN SE DEBEN LLENAR CON AGUA ANTES DE HACER FUNCIONAR LA BOMBA.
- Con respecto a las instalaciones en que la bomba se encuentra ubicada a un nivel más alto que el nivel del agua, se recomienda el uso de una válvula de aspiración o de retención en la tubería que conecta con la toma de agua de la bomba para el bombeo desde la fuente (es decir, estanque, succionador y filtro). La válvula de aspiración / retención mantendrá el agua en la tubería de admisión cuando la bomba no se encuentre en funcionamiento (véase figuras 2-4).
- Para todas las instalaciones, se recomienda el uso de una válvula de compuerta / esférica ajustable por encima de la descarga de la bomba. La válvula de compuerta / esférica es útil para controlar el flujo de agua según el dispositivo / característica que tenga el agua del estanque. Cuando preste servicio de mantenimiento a la bomba, asegúrese de cerrar la válvula de compuerta / esférica a fin de prevenir el regreso del flujo de agua de la caída de agua o del dispositivo / característica del agua del estanque.
- Cuando instale la bomba por debajo del nivel de agua, se debe instalar una válvula de compuerta / esférica adicional en la línea delante de la toma o de la canastilla para hojas, de modo que el flujo de agua proveniente del estanque o de la fuente de agua se pueda cerrar para mantenimiento y/o limpieza de la rejilla de la canastilla para hojas. NO UTILICE ESTA VÁLVULA PARA RESTRINGIR LA TOMA DE AGUA DE LA BOMBA.
- Retire los cuatro 4 pernos que sujetan la abrazadera al motor. No introduzca la punta del destornillador en el motor para palanquear las hojas del ventilador, ya que esto dañará el ventilador.
- REEMPLACE EL SELLO DEL IMPULSOR DE CERÁMICA: Realice los pasos 1-3. Retire el sello dañado del impulsor. Asegúrese de limpiar cualquier residuo en el agujero del sello que ha sido retirado. Aplique un poco de agua al componente del sello de goma y, con un paño libre de pelusa, empuje el conjunto del sello hacia el interior del agujero del impulsor. Nota: El componente de cerámica se debe introducir en el revestimiento de goma antes de introducirse en el interior del agujero del impulsor.
- REEMPLAZO DE LA ABRAZADERA / SELLO DEL EJE MECÁNICO: Realice los pasos 1-4. Aplique sellador en la pared del diámetro interior del agujero de la abrazadera y alrededor del diámetro externo de la caja del sello. Nota: Antes de introducir el sello en el agujero de la abrazadera, coloque un chafalán pequeño en el agujero de la abrazadera. Esto facilitará la inserción del sello. NO TOQUE NI APLIQUE PRESIÓN AL SELLO DE GRAFITO DE CARBÓN. Instale una nueva abrazadera que tenga un sello mecánico. Asegúrese de que la parte frontal del sello de carbón esté libre de residuos y tenga cuidado de no dañar la parte frontal del sello durante el proceso de reensamblaje de los componentes. Nota: Si reemplaza el sello de grafito de carbón, se recomienda volver a colocar el sello de cerámica en el impulsor.
- ARANDELA RECOGELUBRICANTE: Realice los pasos 1-4. Retire la arandela recogelubricante dañada del eje del motor. Instale la nueva arandela sobre el eje. Asegúrese de que la nueva arandela recogelubricante se encuentre sobre el umbral en el eje del motor. Esto impedirá que la arandela se deslice a lo largo del eje cuando el motor se encuentre en funcionamiento.
- Acople la abrazadera al motor, instale los cuatro (4) pernos y ajuste.
- Enrosque el impulsor sobre el eje y ajuste (gire el impulsor en sentido de las agujas del reloj para ajustar). Retire el capicete del motor y utilice un destornillador sobre la parte posterior del eje del motor para impedir la rotación del eje mientras se ajusta. Reemplace el capicete del motor.
- Coloque la junta tórica nuevamente en la ranura designada en la voluta e instale la voluta. Asegúrese de que la junta tórica permanezca en la ranura mientras anexa la voluta a la abrazadera. Instale los pernos de la voluta, coloque las arandelas y tuercas, y ajuste.
- Antes de efectuar las conexiones a la bomba, asegúrese de que el impulsor gire en sentido contrario a las agujas del reloj (el impulsor debe girar en la misma dirección que la flecha ubicada en la parte frontal de la voluta). ¡Una rotación incorrecta dañará la bomba e invalidará la garantía! Vuelva a instalar la bomba.

LUBRICACIÓN: El motor está equipado con cojinetes de bola lubricados en forma permanente (no requieren de servicio de mantenimiento).

El sello del eje no requiere lubricación después del ensamble.

CONDICIONES DE TEMPERATURA DE CONGELACIÓN: La bomba se debe drenar antes de darle servicio de mantenimiento o si se almacena bajo temperaturas de congelación.

Las figuras 2-4 muestran algunas instalaciones típicas para las bombas fuera de estanque para jardín acuático (Tabla 2).

INSTRUCCIONES DE MANTENIMIENTO / REPARACIÓN

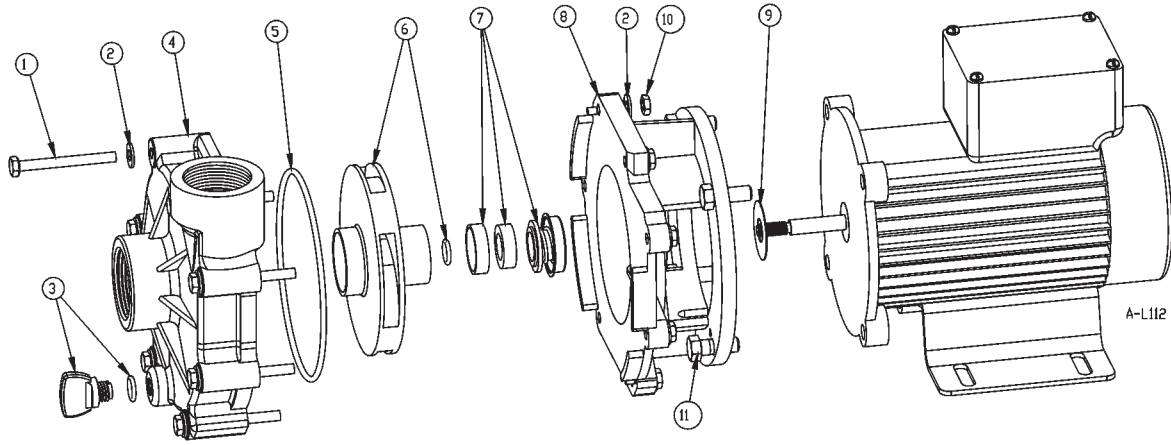
ADVERTENCIA – Siempre desconecte el cable de energía de la bomba antes de trabajar en ella o de llevar a cabo el mantenimiento de rutina.

- Antes de trabajar en la bomba, cierre las válvulas de compuerta a fin de impedir que el flujo de agua regrese hacia la bomba. Desconecte la tubería de la admisión y descargue los puertos en la bomba. Retire y desconecte la bomba de la fuente de energía.
- Retire los pernos de la caja de la voluta y luego retire la caja de la voluta. Inspeccione la caja de la voluta, la junta tórica y el impulsor.
- Se puede retirar el impulsor del eje del motor, girándolo en sentido contrario a las agujas del reloj. Retire el capicete pequeño sobre el otro extremo del motor y utilice un destornillador estándar en el eje del motor para impedir que rote el eje.
- Las bombas OPWG-29 y OPWG-46 están equipadas con una rondana metálica que esta atrás del impulsor. Si requiere cambiar la rondana, compare el espesor de la rondana que esta en la bomba con las dos nuevas rondanas que se surten junto con el impulsor nuevo y usar la rondana del mismo espesor.

TROUBLESHOOTING

PROBLEM • PROBLÈME • PROBLEMA	PROBABLE CAUSES • CAUSES PROBABLES • CAUSAS PROBABLES	CORRECTIVE ACTION • MESURE CORRECTIVE • ACCIÓN CORRECTIVA
Motor will not rotate. • Le moteur ne tourne pas. • El motor no gira.	Blown fuse or breaker. • Le fusible est grillé ou le disjoncteur est déclenché. • Fusible fundido o interruptor desconectado.	Check main power box for blown fuse or tripped circuit breaker, etc. • Vérifier le panneau principal de distribution au cas où un fusible est grillé ou un disjoncteur est déclenché. • Revise la caja de potencia principal para verificar si hay un fusible fundido o un interruptor de circuito desconectado.
	Pump motor is not wired correctly. • Le moteur de la pompe n'est pas correctement câblé. • El motor de la bomba no está conectado correctamente.	Check for proper electrical connections to motor. • Vérifier si les connexions électriques du moteur sont correctes. • Verifique que las conexiones eléctricas del motor sean las apropiadas.
	Motor thermal protector has tripped. • L'interrupteur thermique du moteur est déclenché. • El protector térmico del motor se ha desconectado.	Allow motor to cool for a suitable amount of time. • Laisser le moteur refroidir pendant le temps requis. • Deje enfriar el motor durante el tiempo que sea conveniente.
Motor hums or will not rotate at correct speed. Le moteur émet un vrombissement ou ne tourne pas à la bonne vitesse. El motor zumba o no gira a la velocidad correcta.	Obstruction in volute/impeller. • La volute ou le rotor est obstrué(e). • Obstrucción en la voluta / impulsor.	Remove volute and check for foreign material or object. • Enlever la volute et vérifier s'il y a des débris. • Retire la voluta y verifique que no haya ningún material u objeto extraño.
	Pump motor is not wired correctly. • Le moteur de la pompe n'est pas correctement câblé. • El motor de la bomba no está conectado correctamente.	Check electrical connections to motor. • Vérifier les connexions électriques du moteur. • Revise las conexiones eléctricas del motor.
	Damaged shaft seal and/or shaft bearing. • Le joint et/ou le roulement à billes de l'arbre est (sont) endommagé(s). • El obturador para ejes y/o chumacera del eje están dañados.	Remove volute and rotate impeller to check for excessive resistance. • Enlever la volute et tourner le rotor pour déterminer s'il y a une résistance excessive. • Retire la voluta y gire el impulsor para verificar si hay un exceso de resistencia.
	Damaged motor bearing(s). • Les roulements à billes du moteur sont endommagés. • Cojinete(s) del motor dañado(s).	Remove volute and check shaft rotation for excessive bearing noise. • Enlever la volute et vérifier si les roulements à billes sont bruyants lors de la rotation de l'arbre. • Retire la voluta y verifique la rotación del eje por si el cojinete hace mucho ruido.
	Faulty start switch and/or capacitor. • Le commutateur et/ou le condensateur est (sont) défectueux. • Interruptor y/o capacitor de arranque defectuoso.	Have pump serviced by an authorized service center. • Demander à un centre de service autorisé d'effectuer la réparation de la pompe. • Haga reparar la bomba en un centro de servicio autorizado.
Pump operates with little or no flow. Il y a peu ou pas de débit d'eau dans la pompe. La bomba funciona con poco flujo o sin flujo.	Pump is not fully primed. • La pompe n'est pas pleinement amorcée. • La bomba no está totalmente cebada.	Fill inlet pipe with water before operating pump. • Remplir d'eau la conduite d'alimentation avant de faire fonctionner la pompe. • Llène el tubo de admisión con agua antes de hacer funcionar la bomba.
	Volute o-ring and/or drain plug is not fully sealed. • Le joint torique de la volute et/ou le bouchon de vidange n'est (ne sont) pas complètement étanche(s). • La junta tórica de voluta y/o el tapón de purga no está completamente sellado.	Check volute bolts and drain plug. If loose, then tighten. • Vérifier les boulons de la volute et le bouchon de vidange. Resserrer au besoin. • Revise los pernos de la voluta y el tapón de purga. Si están sueltos, ajústelos.
	Improper line voltage to the motor. • La tension n'est pas appropriée pour le moteur. • Voltaje de línea para el motor inapropiado.	Have an authorized electrician check line voltage. • Demander à un électricien qualifié de vérifier la tension. • Haga que un electricista autorizado revise la línea de voltaje.
	Obstruction in volute/impeller. • La volute ou le rotor est obstrué(e). • Obstrucción en la voluta / impulsor.	Remove volute and check for foreign material or object. • Enlever la volute et vérifier s'il y a des débris. • Retire la voluta y verifique que no haya ningún material u objeto extraño.
	Leak in foot/check valve. • Le clapet de pied ou la soupape de retenue a une fuite. • Fuga en la válvula de aspiration / retención.	Check foot/check valve connections for leakage and replace, if necessary. • Vérifier les raccords du clapet de pied ou de la soupape de retenue pour détecter toute fuite et remplacer si nécessaire. • Revise las conexiones de la válvula de aspiration / retención para determinar si existen fugas y, de ser necesario, reemplácelas.
	Leak in piping. • Fuite dans la tuyauterie. • Fuga en las tuberías.	Check all connections for leakage and replace, if necessary. • Vérifier tous les raccords pour détecter toute fuite et remplacer si nécessaire. • Revise todas las conexiones para determinar si hay fugas y, de ser necesario, reemplácelas.
Pump loses prime. La pompe perd son amorce. La bomba pierde cebado.	Defective foot/check valve. • Le clapet de pied ou la soupape de retenue est défectueux(se). • Válvula de aspiración / retención defectuosa.	Check foot/check valve connections for leakage and replace, if necessary. • Vérifier les raccords du clapet de pied ou de la soupape de retenue pour détecter toute fuite et remplacer si nécessaire. • Revise las conexiones de la válvula de aspiración / retención para determinar si existen fugas y, de ser necesario, reemplácelas.
	Faulty seal. • Joint défectueux. • Obturador defectuoso.	Check for leakage around shaft. If leakage is occurring, replace carbon and ceramic seal. • Vérifier s'il y a une fuite autour de l'arbre. Si c'est le cas, remplacer le joint de carbone et de céramique. • Verifique que no hayan fugas alrededor del eje. Si las hubiere, reemplace el obturador de carbono y cerámica.
	Volute is leaking. • La volute coule. • La voluta está teniendo fugas.	Check volute bolts and drain plug. If loose, then tighten. • Vérifier les boulons de la volute et le bouchon de vidange. Resserrer au besoin. • Revise los pernos de la voluta y el tapón de purga. Si están sueltos, ajústelos.
	Air is being introduced to inlet line. • De l'air pénètre dans la conduite d'alimentation. • Se está introduciendo aire en la tubería de admisión.	Check foot/check valve connections, piping connections for leakage. If leakage is occurring, replace defective items. • Vérifier s'il y a une fuite dans les raccords du clapet de pied/soupape de retenue ou de la conduite d'alimentation. Remplacer les pièces défectueuses au besoin. • Revise las conexiones de válvula de aspiración / retención, las conexiones de las tuberías para verificar si existen fugas. En caso de que hayan fugas, reemplace las piezas defectuosas.
	Insufficient water pressure at pump intake. • La pression d'eau est insuffisante à l'admission de la pompe. • Presión insuficiente de agua en la admisión de la bomba.	Consult instruction sheet for installation options. Preferred installation is when pump inlet is below water level. • Consulter la feuille de directives pour connaître les options d'installation. Il est préférable d'installer l'orifice d'admission de la pompe sous le niveau d'eau. • Consulte la hoja de instrucciones para las opciones de instalación. Se recomienda que en la instalación la admisión de la bomba esté por debajo del nivel del agua.
	Insufficient water supply to pump intake. • L'alimentation en eau est insuffisante à l'admission de la pompe • Abastecimiento insuficiente de agua en la admisión de la bomba.	Consult instruction sheet for installation options. Preferred installation is when pump inlet is below water level. • Consulter la feuille de directives pour connaître les options d'installation. Il est préférable d'installer l'orifice d'admission de la pompe sous le niveau d'eau. • Consulte la hoja de instrucciones para las opciones de instalación. Se recomienda que en la instalación la admisión de la bomba esté por debajo del nivel del agua.
Pump motor is overheating (Pump is operating intermittently). Le moteur de la pompe surchauffe (la pompe fonctionne par intermittence). El motor de la bomba se está sobrecalentando (La bomba está funcionando intermitentemente).	Improper line voltage • La tension n'est pas appropriée. • Voltaje de línea inapropiado.	Have an authorized electrician check line voltage. • Demander à un électricien qualifié de vérifier la tension. • Haga que un electricista autorizado revise la línea de voltaje.
	Faulty motor bearing • Le palier du moteur est défectueux • Cojinete del motor defectuoso.	Have pump serviced by an authorized service center. • Demander à un centre de service autorisé d'effectuer la réparation de la pompe. • Haga reparar la bomba en un centro de servicio autorizado.
	Poor air circulation/ventilation around motor enclosure. • Mauvaise circulation d'air ou ventilation autour de l'enveloppe du moteur. • Circulación / ventilación insuficiente del aire alrededor de la caja del motor.	Consult instruction sheet for installation options. Pump motor may require more air ventilation. • Consulter la feuille de directives pour connaître les options d'installation. Le moteur de la pompe pourrait nécessiter une meilleure ventilation. • Consulte la hoja de instrucciones para verificar las opciones de instalación. Es probable que el motor de la bomba requiera una mayor ventilación del aire.
	Pump motor is being exposed to excessive or direct sunlight. • Le moteur de la pompe est exposé à un ensoleillement excessif. • El motor de la bomba está siendo expuesto a la luz solar excesiva o directa.	Consult instruction sheet for installation options. Pump motor may require a small protective barrier from direct sun exposure. • Consulter la feuille de directives pour connaître les options d'installation. Le moteur de la pompe pourrait nécessiter un petit couvercle pour le protéger de l'ensoleillement direct. • Consulte la hoja de instrucciones para las opciones de instalación. Es probable que el motor de la bomba requiera una pequeña barrera que lo proteja de la exposición directa a la luz solar.

REPLACEMENT PARTS



ITEM NO. • N° D'ARTICLE • ÍTEM NO.	PART NO. • N° DE PIÈCE • PIEZA NO.	DESCRIPTION • DESCRIPTION • DESCRIPCIÓN	566020 OPWG-29	566021 OPWG-46	566023 OPWG-71	566024 OPWG-97
1	915500	Bolt, carriage, 10-24 x 2-3/4" • Boulon, carrosserie, 10-24 x 2 3/4 po • Perno de cabeza de hongo y cuello cuadrado de 10-24 x 2-3/4 pulg	6	6	--	--
	915501	Bolt, hex, 1/4-20 x 2-1/2" • Boulon, hexagonal, 1/4-20 x 2 1/2 po • Perno hexagonal de 1/4-20 x 2-1/2 pulg	--	--	7	7
2	921050	Washer, plain, 1/4" • Rondelle, plate, 1/4 po • Arandela plana de 1/4 de pulg	--	--	14	14
3	166209	Plug, drain, with O-ring • Bouchon, Vidange, avec joint torique • Tapón de purga con junta tórica	1	1	1	1
4	166207	Volute • Volute • Voluta	1	1	--	--
	166208		--	--	1	1
5	924041	O-ring, volute, Nitrile • Joint torique, Volute, Nitrile • Junta tórica de voluta de nitrilo	1	1	--	--
	924042		--	--	1	1
6	166200	Impeller with washer • Rotor, Rondelle • Impulsor, Arandela	1	--	--	--
	166201		--	1	--	--
	166203	Impeller • Rotor • Impulsor	--	--	1	--
	166204		--	--	--	1
7	926045	Seal, carbon/ceramic Joint, • Carbone/Céramique • Obturador de carbono/cerámica	1	1	--	--
	926046		--	--	1	1
8	166205	Bracket • Support • Abrazadera	1	1	--	--
	166206		--	--	1	1
9	921080	Washer, slinger • Rondelle, Chasse-gouttes • Arandela, Recogelubricante	--	--	1	1
10	920029	Nut, hex, flanged, 10-24 • Écrou, Hexagonal, à brides, 10-24 • Tuerca embreada hexagonal de 10-24	6	6	--	--
	920040	Nut, hex, 1/4-20 • Écrou, Hexagonal, 1/4-20 • Tuerca hexagonal de 1/4-20	--	--	7	7
11	901310	Screw, machine, 8-32 x 1/2" • Vis, Mécanique, 8-32 x 1/2 po • Tornillo para metales de 8-32 x 1/2 pulg	4	4	--	--
	903713	Bolt, hex, 3/8-16 x 3/4" • Boulon, Hexagonal, 3/8-16 x 3/4 po • Perno hexagonal de 3/8-16 x 3/4 de pulg	--	--	4	4

LIMITED WARRANTY

Your Little Giant product is guaranteed to be in perfect condition when it leaves our Factory. It is warranted against defective materials and workmanship for a period of 12 months (90 day warranty on Models: 1-AA-OM, GKPK-SC, PP-1, PPS-1, PP-12, PPS-12, PP-230 and Cooler King) from date of purchase by the user. No warranty on brush wear in Model 35-OM and impeller or cam in Models PP-1, PP-12, and PP-230.

Any product that should fail for either of the above two reasons and is still within the warranty period will be repaired or replaced at the option of Little Giant as the sole remedy of buyer. For our customers in the CONTINENTAL UNITED STATES: Please return the defective unit, postage paid, to the factory at 301 N. MacArthur, Oklahoma City, OK 73127-6616. All defective product returned under warranty will be fully inspected to determine the cause of failure before warranty is approved.

For our customers located elsewhere; it is not economical, due to duties and freight, to return the pump to the factory for inspection. Please return the defective unit to any authorized distributor or dealer with a brief written explanation of the problem. If there are no apparent signs of customer abuse, unit will be repaired or replaced. If dispute arises over replacement of the pump, the distributor or dealer is to segregate such items and hold for inspection by a representative of Franklin Electric Co., Inc. or notify factory with details of the problem for factory disposition and settlement of warranty claim.

DISCLAIMER: THE FOREGOING WARRANTY IS AN EXCLUSIVE WARRANTY IN LIEU OF ANY OTHER EXPRESS WARRANTIES. ANY IMPLIED WARRANTIES (INCLUDING,

BUT NOT LIMITED TO ANY IMPLIED WARRANTY OF MERCHANTABILITY OR FITNESS FOR A PARTICULAR PURPOSE) TO THE EXTENT EITHER APPLIES TO A PUMP SHALL BE LIMITED IN DURATION TO THE PERIODS OF THE EXPRESS WARRANTIES GIVEN ABOVE.

Warranty will be VOID if any of the following conditions are found:

1. Sealed motor housing opened.
2. Product connected to voltage other than indicated on nameplate.
3. Cord cut off to a length less than three feet.
4. Pump allowed to operate dry (fluid supply cut off).
5. Pump used to circulate anything other than fresh water.
6. Product abuse by customer.

Any oral statements about the product made by the seller, the manufacturer, the representatives or any other parties, do not constitute warranties, shall not be relied upon by the user and are not part of the contract for sale. Seller's and manufacturer's only obligation, and buyer's only remedy, shall be the replacement and/or repair by the manufacturer of the product as described above. Seller's and manufacturer's only obligation, and buyer's only remedy, shall be the replacement and/or repair by the manufacturer of the product as described above. NEITHER SELLER NOR THE MANUFACTURER SHALL BE LIABLE FOR ANY INJURY, LOSS OR DAMAGE, DIRECT, INCIDENTAL OR CONSEQUENTIAL

(INCLUDING, BUT NOT LIMITED TO INCIDENTAL OR CONSEQUENTIAL DAMAGES FOR
LST PROFITS, LST SALES, INJURY TO PERSON OR PROPERTY, OR ANY OTHER
INCIDENTAL OR CONSEQUENTIAL LOSS), ARISING OUT OF THE USE OR THE INABILITY
TO USE THE PRODUCT AND THE USER AGREES THAT NO OTHER REMEDY SHALL BE
AVAILABLE TO IT. Before using, the user shall determine the suitability of the product for the
intended use, and user assumes all risk and liability whatsoever in connection therewith.

Some states and countries do not allow limitations on how long an implied warranty lasts or
the exclusion or limitation of incidental or consequential damages, so the above limitations
or exclusions may not apply to you. This warranty gives you specific legal rights, and you
may also have other rights which vary from state to state and country to country.

The National Electric Code (in the USA) and similar codes in other countries require a
Ground Fault Circuit Interrupter (GFCI) to be installed in the branch circuit supplying fountain
equipment rated above 15 volts. 115 volt GFCI's (with various cord lengths) are in stock, and
we recommend each pump be used with a GFCI.

GARANTIE LIMITÉE

La présente garantit que votre pompe Little Giant est en parfaite condition à sa sortie de
l'usine. La pompe est garantie contre tout défaut de matériau ou de fabrication pendant une
période de 12 mois (90 jours pour les Modèles: 1-AA-OM, GKPK-SC, PP-1, PPS-1, PP-12,
PPS-12, PP-230 et Cooler King) à partir de la date d'achat initial. L'usure des balais sur le
modèle 35-OM ainsi que les dommages au rotor ou à la came sur les modèles PP-1, PP-12
et PP-230 ne sont pas couverts par la présente garantie.

Tout produit encore garanti qui serait défectueux pour l'une des deux raisons sus-
mentionnées sera réparé ou remplacé à la discrétion du fabricant. L'acheteur n'aura pas
d'autre recours. Pour nos clients aux ÉTATS-UNIS (territoire continental seulement) :
Veuillez retourner l'article défectueux suffisamment affranchi à l'usine à l'adresse suivante
: 301 N. MacArthur Blvd., Oklahoma City, OK 73127-6616. Tous les produits garantis
retournés feront l'objet d'une inspection détaillée afin de déterminer si la défectuosité est
couverte par la garantie.

Pour les clients à l'extérieur des États-Unis : étant donné les frais de douane et de transport,
il n'est pas économique de retourner la pompe à l'usine pour inspection. Expédier la pompe
ainsi qu'une brève description du problème à tout distributeur ou détaillant autorisé. Si
elle ne présente aucun signe apparent d'une mauvaise utilisation, elle sera remplacée ou
réparée. S'il y a conflit sur la nécessité de remplacer la pompe, le distributeur ou le détaillant
devra garder celle-ci et, soit la fera inspecter par un représentant de Franklin Electric Co.,
Inc., soit avisera l'usine du problème afin de connaître la décision de celle-ci et le règlement
de la réclamation.

DÉNÉGATION: LA GARANTIE ÉNONCÉE DANS LES PRÉSENTES EST EXCLUSIVE ET
REMPLECE TOUTE AUTRE GARANTIE EXPRESSE OU IMPLICITE; CELA COMPORTE,
MAIS NON EXCLUSIVEMENT, TOUTE GARANTIE IMPLICITE D'APTITUDE À LA
COMMERCIALISATION OU D'APTITUDE PARTICULIÈRE, POUVANT S'APPLIQUER À UNE
POMPE LITTLE GIANT. DE PLUS, ELLE NE S'APPLIQUE QUE DURANT LA PÉRIODE DE
COUVERTURE PRÉCISÉE CI-DEVANT.

La présente garantie sera ANNULÉE si:

1. Le boîtier scellé du moteur a été ouvert;
2. Le branchement à une tension autre que celle indiquée sur la plaque du fabricant a été
effectué;
3. Le fil d'alimentation a été coupé à une longueur inférieure à 0,91 m (trois pieds);
4. La pompe a tourné à vide (l'alimentation en liquide a été coupée);
5. La pompe a été utilisée pour faire circuler des liquides autres que de l'eau fraîche, des
huiles légères ou d'autres liquides non corrosifs et ce, à la température ambiante;
6. La pompe a été mal utilisée.

Toute déclaration sur la pompe faite oralement par le vendeur, le fabricant, le représentant
ou par toute autre partie ne constitue pas une garantie et, par conséquent, ne peut servir à
l'utilisateur. De plus, une telle déclaration ne peut, en aucun cas, faire partie du contrat de
vente. L'unique obligation du vendeur et du fabricant, et l'unique recours de l'acheteur, est le
remplacement ou la réparation de la pompe selon les modalités décrites précédemment. NI
LE VENDEUR NI LE FABRICANT NE PEUVENT ÊTRE TENUS RESPONSABLES DE TOUTE
BLESSURE, TOUTE PERTE, OU TOUT DOMMAGE DIRECT, INDIRECT OU ACCESSOIRE
(INCLUANT, MAIS NON EXCLUSIVEMENT, LES VENTES OU PROFITS PERDUS, LES
ATTEINTES AUX PERSONNES OU À LA PROPRIÉTÉ OU TOUTE AUTRE PERTE
INDIRECTE OU ACCESSOIRE) RÉSULTANT DE L'UTILISATION OU DE L'INCAPACITÉ
D'UTILISATION DE LA POMPE, ET L'ACHETEUR CONVIENT QU'IL NE DISPOSE D'AUCUN
AUTRE RECOURS. L'acheteur doit s'assurer que la pompe convient à l'usage projeté; il
assume aussi tout risque et toute responsabilité relativement à cet usage.

Certaines juridictions ne permettent pas la limitation de la durée d'une garantie ou
l'exclusion ou la limitation de responsabilité pour des dommages indirects ou accessoires.
Par conséquent, il est possible que la limitation ou l'exclusion indiquée précédemment
puisse ne pas être applicable. Cette garantie vous donne des droits particuliers et peut-être
d'autres, dépendamment des juridictions en vigueur.

Le code national de l'électricité et autres codes semblables d'autres pays exigent
l'installation d'un interrupteur avec mise à la terre (GFI) sur le circuit d'alimentation de la
fontaine pour toute installation dont la tension est supérieure à 15 volts. Nous offrons de tels
interrupteurs (avec différentes long ueurs de fil) et nous recommandons que chaque pompe
soit reliée à un interrupteur de ce type.

GARANTIA LIMITADA

El producto que Little Giant le ofrece está garantizado a estar en perfectas condiciones al
momento de salir de la fábrica. El producto está garantizado contra materiales y fabricación
defectuosa por un período de 12 meses (una garantía de 90 días para los Modelos: 1-AA-
OM, GKPK-SC, PP-1, PPS-1, PP-12, PPS-12, PP-230 y Cooler King) desde la fecha en la cual
fue comprada por el usuario. No hay garantía contra el gasto del cepillo del Modelo 35-OM
e impulsor o leva en los Modelos PP-1, PP12 y PP-230.

Cualquier producto que falle por alguna de las dos razones anteriores y que esté dentro
del período de garantía será reparado o reemplazado a opción de Little Giant y éste
será el único remedio del comprador. Para nuestros clientes en los ESTADOS UNIDOS
CONTINENTALES: Por favor, devolver la unidad defectuosa, con el porte pagado, a la
fábrica en P. O. Box 12010, Oklahoma City, OK 73127-6616. Todo producto defectuoso
devuelto bajo la garantía será cuidadosamente inspeccionado para determinar la causa de
la falla antes de aprobar la garantía.

Para nuestros clientes ubicados en otros lugares; no es económico devolver la bomba a
la fábrica para que ésta sea inspeccionada, debido a los impuestos y al flete. Por favor,
devuelva la unidad defectuosa a cualquier distribuidor o vendedor autorizado con una breve
explicación por escrito del problema. Si no existen señas aparentes de abuso por parte
del cliente, la unidad será reemplazada o reparada. Si se produce una disputa sobre el
reemplazo de la bomba, el distribuidor o vendedor debe separar los artículos y retenerlos
para que sean inspeccionados por un representante de Franklin Electric Co., Inc. o avisarle
a la fábrica de los detalles del problema para que la fábrica disponga de las acciones
necesarias y resuelva el reclamo de la garantía.

DESAUTORIZACION: LA GARANTIA ANTERIOR ES UNA GARANTIA EXCLUSIVA
EN LUGAR DE CUALQUIER OTRA GARANTIA EXPRESA. CUALQUIER GARANTIA
IMPLICADA (INCLUYENDO PERO NO LIMITADO A CUALQUIER GARANTIA IMPLICADA
DE COMERCIALIZACION O APTITUD PARA PROPOSITO PARTICULAR) EN LA MEDIDA
EN QUE SE PUEDA APLICAR A UNA BOMBA, QUEDARA LIMITADA EN DURACION A LOS
PERIODOS DE GARANTIAS PROPORCIONADOS ANTERIORMENTE.

La garantía será declarada nula si se encuentran cualesquiera de las siguientes
condiciones:

1. El alojamiento sellado del motor abierto.
2. El producto conectado a un voltaje que no es el indicado en la placa principal.
3. El cable cortado a menos de tres pies (0,91 m.).
4. Se permitió que la bomba opere en seco (envío de fluido cortado).
5. La bomba empleada para hacer circular cualquier otra sustancia que no sea agua
fresca, aceites livianos u otros líquidos livianos aproximadamente a
temperatura ambiente.
6. Abuso del producto por parte del cliente.

Cualquier declaración oral acerca del producto hecha por el vendedor, fabricante,
representantes o cualquiera de las partes, no constituyen garantías, el usuario no debe
confiarse de ellas, y no forman parte del contrato de compra-venta. La única obligación
del vendedor y del fabricante y el único remedio para el comprador, será la reposición
y/o reparación del producto por parte del fabricante bajo las condiciones descritas
anteriormente. NI EL VENDEADOR NI EL FABRICANTE SE HACEN RESPONSABLES
DE NINGUNA LESION, PERDIDA O DAÑO, DIRECTO, INCIDENTAL O CONSECUENTE
(INCLUYENDO, PERO SIN LIMITARSE A, DAÑOS INCIDENTALES O CONSECUENTES
DEBIDO A GANANCIAS PERDIDAS, VENTAS PERDIDAS, DAÑOS A PERSONAS O
PROPIEDADES O CUALQUIER OTRA PERDIDA INCIDENTAL O CONSECUENTE), QUE
RESULTA DEL USO O DE LA IMPOSIBILIDAD DEL USO DEL PRODUCTO, Y EL
COMPRADOR ACUERDA QUE NO EXISTE OTRO REMEDIO DISPONIBLE PARA EL. Antes
de usar, el usuario debe determinar si el producto se adapta al uso deseado, y el usuario
asume todos los riesgos y responsabilidades en relación a ello.

Algunos estados y países no permiten limitaciones sobre la duración de una garantía
implícita o la exclusión o limitación de daños incidentales o consecuentes, de manera que
las limitaciones o exclusiones anteriores podrían no tener aplicación en su caso. Esta
garantía le da derechos legales específicos, y usted podría disponer también de otros
derechos que varían de un estado a otro y de un país a otro.

El Código Eléctrico Nacional (en los Estados Unidos) y códigos similares en otros países
requieren un Interruptor de circuito de falla de conexión a tierra (GFCI) para ser instalado
en el circuito secundario que suministra equipo de fuente calibrado por encima de 15
voltios. En el almacén se encuentran GFCI de 115 voltios (con varias longitudes de cable),
y recomendamos que cada bomba sea usada con un GFCI.

For parts or repair, please contact 1.888.572.9933
For technical assistance, please contact 1.888.956.0000

Pour des parties ou la réparation,
entrez s'il vous plaît en contact 1.888.572.9933
Pour l'aide technique, entrez s'il vous plaît en contact 1.888.956.0000

Para partes o la reparación,
por favor póngase en contacto 1.888.572.9933
Para la ayuda técnica, por favor póngase en contacto 1.888.956.0000

www.LittleGiantPump.com
CustomerService-WTS@fele.com