

Little GIANT®

Franklin Electric Co., Inc.
P. O. Box 12010
Oklahoma City, OK 73157-2010
405.947.2511 • Fax: 405.947.8720
www.LittleGiantPump.com
CustomerService-WTS@fele.com

LITTLE GIANT POTENT PUMP



INTRODUCTION

This instruction sheet will provide you with the information required to safely own and operate your Little Giant pump.

Little Giant pumps are carefully packaged, inspected and tested to insure safe operation and delivery. When you receive your pump, examine it carefully to determine that there are no broken or damaged parts that may have occurred during shipment. If damage has occurred, make notation and notify the firm you purchased the pump from. They will assist you in replacement or repair if required.

This pump is designed to pump water. Read instructions completely before operating pump.

INSTALLATION

Your Little Giant pump is delivered to you completely pre-assembled and pretested from the factory. It is ready for immediate use. These pumps are not submersible, operate the pumps only in the in-line mode. Do not put the units in liquid. Keep the pump in as dry a location as possible.

Do not allow pump to run dry. Do not restrict the intake side of the pump. Connections on the intake side should not be of smaller inside diameter hose than the intake inside diameter. Do not restrict the discharge flow to zero. Allowing pump to run dry will damage pump. Inspect impeller for wear periodically by removing 4 screws on pump front. Pull motor and adaptor assembly away from pump front and check impeller for wear and pump front for obstructions. Replace front.

ELECTRICAL CONNECTIONS

1. Check the pump label for proper voltage. Do not connect to voltage other than that shown.
2. If pump is supplied with a 3-prong electrical plug, the third plug is to ground the pump to prevent possible electrical shock hazard. **DO NOT REMOVE** the third plug from the cord. If the plug is cut or the cord is shortened, then this action will void the warranty.
3. If the cord is equipped with stripped lead wires, such as on 230v models, be sure that the lead wires are connected to a power source correctly. The green/yellow wire is the ground. The blue (or white) and the brown (or black) are live.
4. To connect model PPS-12 to power source connect the black battery clamp to the negative (-) pole and the red battery clamp to the positive (+) pole on a 12 volt D.C. battery. Do not operate pump with a weak battery. This will cause motor to stall resulting in motor burning out.

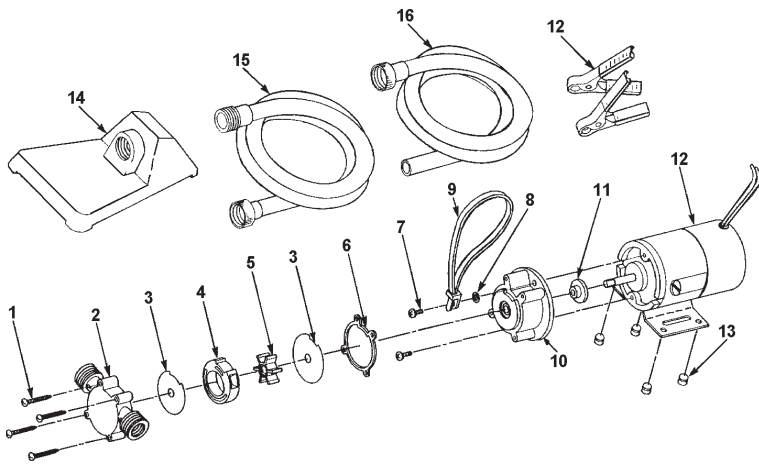
OPERATION

1. **CAUTION: TO REDUCE THE RISK OF ELECTRIC SHOCK, DISCONNECT PUMP FROM POWER SOURCE BEFORE SERVICING.**
2. This pump is designed for intermittent use only (45 minutes on, 15 minutes off).
3. Do not run at heads greater than 35 feet (15 PSIG).
4. Make sure that suction line is airtight, obstruction-free, and well submerged in fluid to be pumped. Do not allow end of suction line to lay in bottom sludge, etc. Keep end away from bottom.
5. Make sure discharge hose is placed where fluid is to be pumped to.
6. Select proper power source and voltage as indicated on pump label.
7. Energize pump.
8. If fluid is not being pumped through discharge hose within 30 seconds, disconnect pump from power source immediately. Read and follow "Priming Instructions."
9. Drain pump after use in freezing weather.

PRIMING INSTRUCTIONS

Should pump not begin to move water within 30 seconds after being energized, follow priming instructions below:

1. Fill intake hose with water while still connected to the pump. This may be done by simply pouring water down the intake hose from the open end.
2. Have an assistant place a finger over the end of the hose and lower to water source.
3. Immediately energize the pump, releasing finger from the intake hose simultaneously.
4. Pump should now operate without needing to be primed again. Repeat steps 1-3 if unit does not begin to pump.



REPLACEMENT PARTS & ACCESSORIES

155201	PPIK-1 Impeller Replacement Kit.
155202	PPIK-12 Impeller Replacement Kit.
599330	Brush & Spring Kit for 115V & 230V motors with white brush caps.
155113	Water Eater - Suction hose attachment for removal of water close to the floor. Built-in strainer prevents foreign matter from entering pump.

Item No.	Part No.	Description	Qty.	Model				
				PP-1	PPS-1	PP-12	PPS-12	PP-230
1	902425	Screw, #8-18 x 1-1/4"	4	•	•	•	•	•
2	155010	Volute	1	•	•	•	•	•
3	155060	Wear Plate	2	•	•	•	•	•
4	155020	Cam (115V)	1	•	•			•
4	155030	Cam (12V)	1			•	•	
5	155040	Impeller (115V)	1	•	•			•
5	155050	Impeller (12V)	1			•	•	
6	155071	Gasket	1	•	•	•	•	•
7	901526	Screw, #10-32 x 1/2"	2	•	•	•	•	•
8	921023	Lock Washer, #10	3	•	•	•	•	•
9	950952	Carrying Strap	1	•	•	•	•	•
10	155001	Seal Assembly	1	•	•	•	•	•
11	921040	Water Slinger	1	•	•	•	•	•
12	979510	Motor (115V)	1	•	•			
12	979063	Motor (12V) with Clamps	1			•	•	
12	979511	Motor (220/240V)	1					•
13	929104	Motor Pads	4	•	•			•
13	925005	Motor Pads	4			•	•	
14	155113	Water Eater	1		•		•	
15	944453	Hose	1		•		•	
16	944451	Hose	1		•		•	

LITTLE GIANT WARRANTY STATEMENT

Your Little Giant product is guaranteed to be in perfect condition when it leaves our factory. It is warranted against defective materials and workmanship for a period of 12 months (90 day warranty on Models: 1-AA-OM, GKPK-SC, PP-1, PPS-1, PP-12, PPS-12, PP-230 and Cooler King) from date of purchase by the user. No warranty on brush wear in Model 35-OM and impeller or cam in Models PP-1, PP-12, and PP-230. Any product that should fail for either of the above two reasons and is still within the warranty period will be repaired or replaced if returned to our factory. All defective products returned under warranty will be fully inspected to determine "CAUSE OF FAILURE" before any warranty is approved Little Giant will honor the warranty within the warranty time period specified on satisfactory written proof of purchase.

DISCLAIMER: Any oral statements about the product made by the seller, the manufacturer, the representatives or any other parties, do not constitute warranties, shall not be relied upon by the user, and are not part of the contract for sale. Seller's and manufacturer's only obligation, and buyer's only remedy, shall be the replacement and/or repair by the manufacturer of the product as described above. Neither seller nor the manufacturer shall be liable for any injury, loss or damage, direct, incidental or consequential (including, but not limited to, incidental or consequential damages for lost profits, lost sales, injury to person or property, or any other incidental or consequential loss), arising out of the use or the inability to use the product, and the user agrees that no other remedy shall be available to it. Before using, the user shall determine the suitability of the product for his intended use, and user assumes all risk of liability whatsoever in connection therewith. The warranty and remedy described in this limited warranty is an EXCLUSIVE warranty and remedy and is IN LIEU OF any other warranty or remedy, expressed or implied, which other warranties and remedies are hereby expressly EXCLUDED, including but not limited to any implied warranty of MERCHANTABILITY OR FITNESS FOR A PARTICULAR PURPOSE. Some states do not allow the exclusive or limitation of incidental or consequential

damages, so the above limitation or exclusion may not apply to you. This warranty gives you specific legal rights, and you may also have other rights which vary from state to state.

Warranty will be VOID if any of the following conditions are found:

1. Sealed motor housing opened.
2. Product connected to voltage other than indicated on nameplate.
3. Cord cut off to a length less than three feet.
4. Pump allowed to operate dry (fluid supply cut off).
5. Pump used to circulate anything other than fresh water, light oils, or other mild liquids at approximately room temperature.
6. Product abuse by customer.

The National Electric Code requires a Ground Fault Circuit Interrupter (GFCI) be installed in the branch circuit supplying fountain equipment rated above 15 volts. Little Giant Pump Company offers a variety of GFCI's and recommends each pump be used with a GFCI.

For parts or repair, please contact 1.888.572.9933
For technical assistance, please contact 1.888.956.0000

www.LittleGiantPump.com
CustomerService-WTS@fele.com