



MARCH PUMPS

1819 PICKWICK AVE., GLENVIEW, IL 60026-1306, U.S.A
 PHONE: (847) 729-5300 - FAX: (847) 729-7062
 WWW.MARCHPUMP.COM

INSTRUCTIONS & REPAIR PARTS FOR SUBMERSIBLE AND OPEN-AIR EPOXY-CLAD MODELS



SUBMERSIBLE MODEL SPECIFICATIONS					
Model	INLET	OUTLET	MOTOR H.P.	ELECTRICAL	
				115 Volt	
				AMP	WATT
1 U	SCREENED	1/4" M.P.T.	1/75	.75	40
1-1 E	90° ELBOW 3/8" M.P.T. 1/2" O.D.		1/75	.75	40
1-1 U	SCREENED		1/75	.75	40
2 C	3/8" F.P.T. FEMALE		1/35	1.2	67
2 U	SCREENED		1/35	1.2	67

OPEN-AIR MODEL SPECIFICATIONS					
Model	INLET	OUTLET	MOTOR H.P.	ELECTRICAL	
				115 Volt	
				AMP	WATT
1 C	3/8" F.P.T.	1/4" M.P.T.	1/75	.75	40
1-1 C		1/4" M.P.T.	1/75	.75	40
LC-2C		1/4" M.P.T.	1/35	1.2	67

Series 1 Max. flow 2.3 gpm. Max. head 4.2 ft.
 Series 1-1 Max. flow 4.5 gpm. Max. head 7 ft.
 Series 2 Max. flow 6.5 gpm. Max. head 12.5 ft.

PUMP CONSTRUCTION

March Sub Pumps (blue color) can be totally SUBMERGED in a variety of liquids. The "LC" models (maroon color) are liquid cooled "hermetics" for use in OPEN AIR. March Hermetics avoid the "oil-bath" design in order to eliminate the pressure and/or vacuum build-up that motor heat imparts to an oil-bath pump. March encapsulates the motor, cord and all pump components, in epoxy leaving no air pockets for vacuum and pressure problems. Epoxy-clad pumps can be operated in any position since there is a double liquid barrier on the electric cord and double thrust washers at both motor bearings. The extra-large rubber seal (spring loaded) also prevents water from flooding the motor.

The pumps can be submerged in up to 100°F water. The "LC" pumps can operate in open air with up to 130°F water. For water temperature above 130°F, use March Open Air Style Magnetic Drive Pumps.

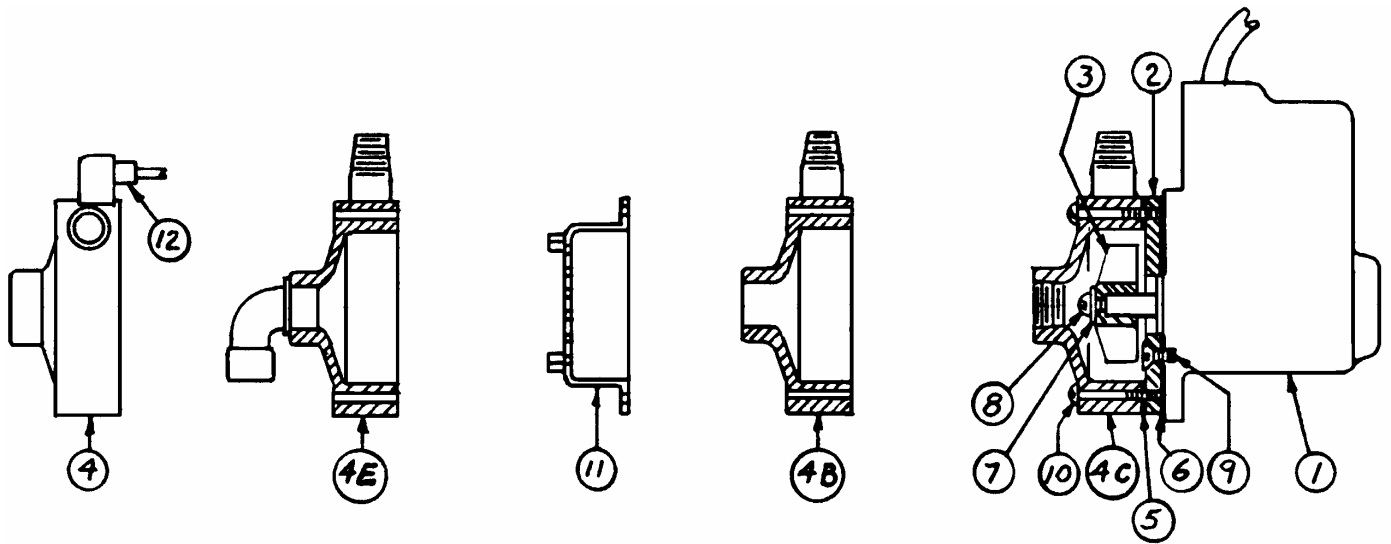
ELECTRICAL & OPERATION

All models are standard in 115 volt, 60 cycle, 1 phase A.C. shaded pole motors with thermal overload protection. All cord sets are U.L. approved 18/3 wire SJT plastic cord with ground type molded plugs. Standard cord length is 6 feet. The motor and thermal overload combination is U.L. Yellow Card listed under File No. E39859. The motors have C.S.A. recognition under File No. 40072.

Pumps are not self priming and will not produce a suction lift and must be installed with a positive flooded suction. Do not allow pump to run dry for longer than 5 minutes. The rubber seal will become scorched and the rubber will harden. The blue colored pumps must be run fully submerged for proper cooling of the motor.

PUMP MATERIALS

All Motors, Cord Sets, and Motor Brackets are encapsulated in epoxy. The Motor Bracket exposed from the epoxy is made of glass-filled Noryl plastic. The Base Plate, Impeller, and Pump Housings on the Series 1, 1-1, 2, and LC-2 pumps are molded out of Nylon plastic. The shaft seal is made out of Viton Rubber and type 302 Stainless Steel. All screws are type 302 Stainless Steel. The Gaskets are Cork and Neoprene mixture on Series 1, 1-1, 2, and LC-2



REPAIR PARTS LIST				
ITEM	DESCRIPTION	QTY.	PUMP MODEL	PART NO.
1	MOTOR & SEAL ASSY.	1	1 & 1-1	0450-0001-0200
		1	2	0455-0005-0200
		1	LC-2	0455-0001-0100
2	BASE PLATE	1	1	0445-0002-1000
		1	1-1 & 2, LC-2	0455-0017-1000
3	IMPELLER	1	1	0445-0001-1000
		1	1-1	0450-0005-1000
		1	2, LC-2	0455-0020-1000
4	PUMP HOUSING	1	1	0445-0004-1000
		1	1-1 & 2	0455-0006-1000
		1	LC-2	0455-0008-0300
5	GASKET PUMP HOUSING	1	1	0445-0003-1000
		1	1-1 & 2, LC-2	0455-0014-1000
6	GASKET BASE PLATE	1	1 & 1-1, 2, LC-2	0455-0016-1000
7	LOCK WASHER	1	1 & 1-1, 2, LC-2	0455-0037-1000
8	SCREW IMPELLER	1	1 & 1-1, 2, LC-2	0455-0038-1000
9	SCREW, BASE PLATE	4	1 & 1-1, 2, LC-2	0455-0036-1000
		4	LC-2	0460-0007-1000
10	SCREW, PUMP HOUSING	6	1 & 1-1, 2	0455-0039-1000
		4	LC-2	0455-0039-1000
11	SCREEN	1	1 & 1-1, 2	0455-0018-1000
12	SEALS, COOLING TUBE	2	LC-2	0125-0007-1000

Pump Housing 4B, 4E indicate style of housing when ordering.
 Contact factory for other materials and/or parts not listed.

LIMITED WARRANTY

March pumps are guaranteed only against defects in workmanship or materials for a period of one year from date of manufacture pumping water. On all other solutions, contact the factory for application assistance. March Pump Application Worksheet 750-130-10 is available for additional warranty information.