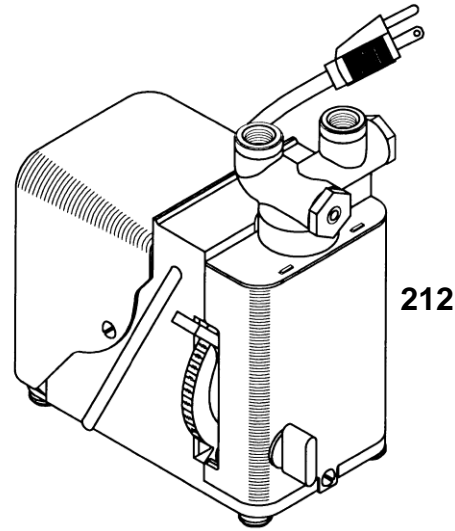
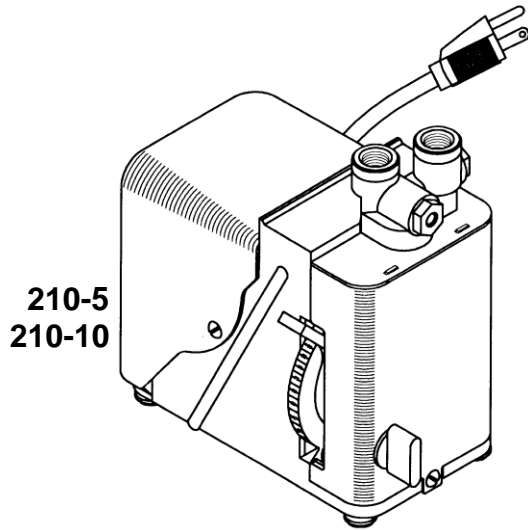




# MARCH PUMPS

1819 PICKWICK AVE., GLENVIEW, IL 60026-1306, U.S.A  
 PHONE: (847) 729-5300 - FAX: (847) 729-7062  
 WWW.MARCHPUMP.COM

## 210-5, 210-10 212



### PUMP CONSTRUCTION & SERVICING:

March Metering Pumps are for intermittent duty only and should be flushed with clean water after use. The piston rings have a life expectancy of approximately 5000 hours. If leakage is observed past the piston, then the piston and arm assembly should be replaced. The flow can be varied while the pump is running. Loosen the thumbscrew protruding through the front cover approximately 1/2 turn and then move your adjusting lever up or down until you get your desired flow. The scale is graduated from 0 flow to 100 percent flow and should be used as a reference guide only. Once a percentage of flow is achieved, you can move the lever, and as long as you come back to the same reference mark, your flow will repeat. The 210 series pumps will develop approximately 160 PSI and 212 pump approximately 60 PSI. Care is necessary at these high pressures so as not to burst your fittings or tubing or not to stall out the motor. If you are going to use this pump at high pressures or through a small nozzle, you should provide a bypass or any other safety means to avoid clogging of the nozzle to prevent building excessive pressure.

### OPERATION:

The pump should not be allowed to run dry for longer than 10 minutes as there is a possibility of damaging the plastic piston rings. The pump should have primed itself well within this time. If the pump has not primed itself within 10 minutes, something is wrong. Check for leakage around the threaded areas of the inlet and outlet pipefittings. March recommends the use of Teflon sealing tape on the threads of your connection fittings. The pump will prime rapidly if some of the liquid is poured into the inlet and outlet ports. Once the valve and valve seats are wet there should be no problems priming, provided all the connections are airtight. If the pump loses prime or does not repeat on flow rates or pressures, there may be dirt or other foreign matter between the valves and valve seats. This will prevent the valves from closing properly. Remove the two hexagon plugs on the front and side of the pump body and carefully pull out the two small valves. Check for dirt and damage to the valve faces and valve seats. March uses a patented magnetic repulsion action to actuate the valves. This prevents the need for valve springs and assures positive shutoff of the valves.

### ELECTRICAL:

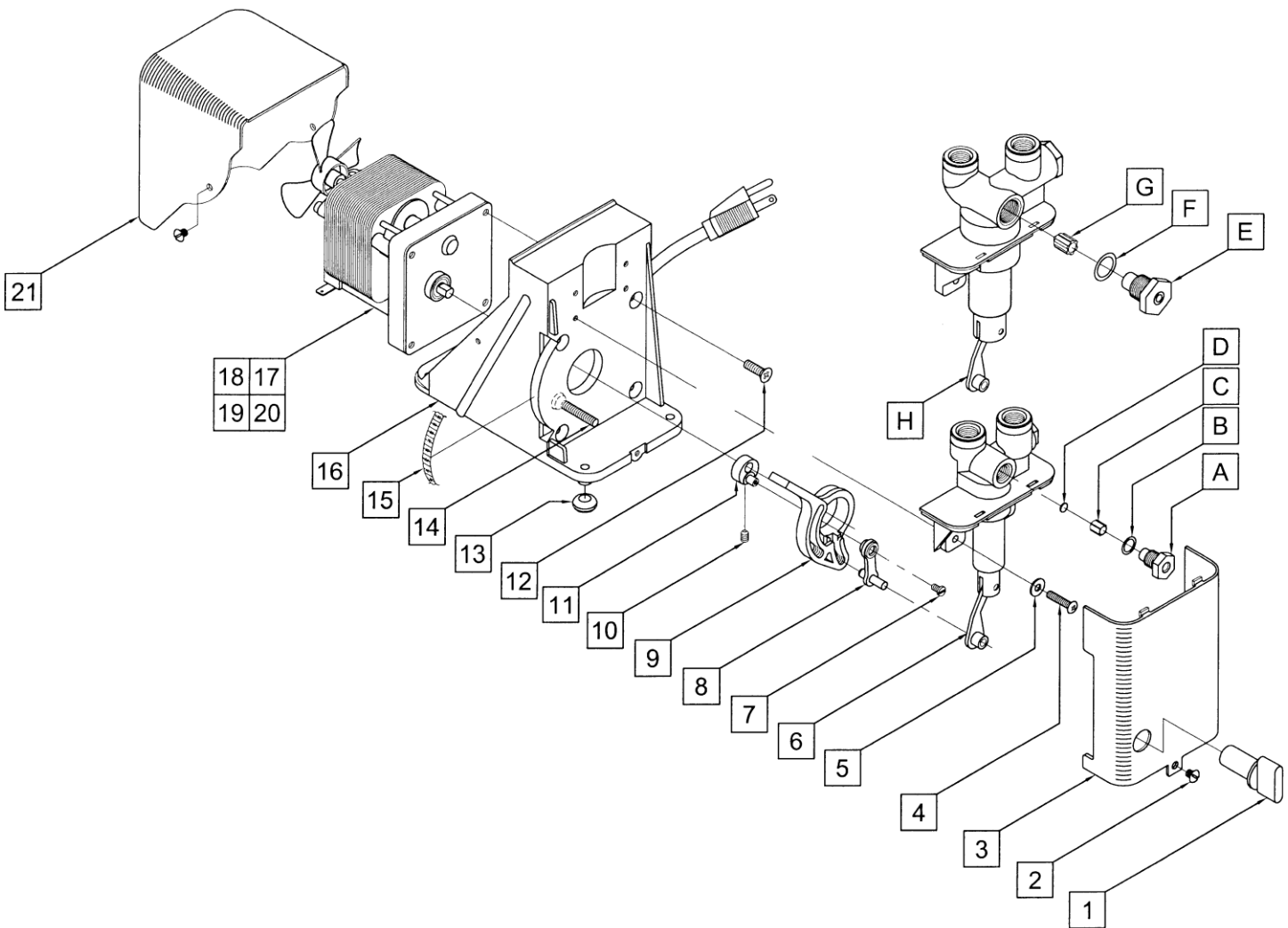
Motors are available in different electrical configurations such as 115V 60Hz, and 230V 50/60Hz, 1 phase. The pump comes equipped with a SJT electric cord, 6 foot long with a 3 prong molded grounding type plug. Other cords can be furnished under special order. The 3600 RPM constant duty fan cooled gear motor with thermal overload protector is U.L. listed.

### LIMITED WARRANTY:

March pumps are guaranteed only against defects in workmanship or materials for a period of one year from date of manufacture pumping water. For the complete warranty and to register online go to [www.marchpump.com/warranty-registration](http://www.marchpump.com/warranty-registration)

SPECIFICATIONS		210-5	210-10	212	
Max Flow	cc/min	1 to 115	5 to 350	50 to 1000	
Max Head	60Hz - 50Hz	369 ft / 160 psi - 112 m		138 ft / 60 psi - 42 m	
Inlet - Outlet		1/4" FPT - 1/4" FPT			
Max Internal Pressure		160 psi / 11 bar		90 psi / 6 bar	
Max Liquid Temperature		190°F / 87°C			
Overall Pump Size	Inches	6.62 x 4.96 x 6.56		6.86 x 4.96 x 6.56	
	(H x W x L) cm	16.8 x 12.5 x 16.6		17.4 x 12.5 x 16.6	
Packed Weight		5.5 lbs / 2.5 kg			
Models		210-5		210-10 & 212	
		60Hz	50Hz	60Hz	50Hz
Motor Type		Air Cooled			
1Ph	115V	Watts - Amps		50 - 0.8	
	230V	50 - 0.4		40 - 0.35	
Hp / Kw - Rpm		1/50 - 75		0.014 - 64	
115V		6 ft (1.8 m) Cord w/plug			
230V		6 ft (1.8 m) Cord w/no plug			
Materials in Contact With Solution		210-5 & 210-10: Ryton, Viton, Teflon, Ceramic 212: Ryton, Viton, Teflon, Ceramic			

All specifications & data are based on pumping water & are intended as a guideline only. Specifications may vary with different motors.



### PARTS LIST

#	DESCRIPTION	MATERIAL	SIZE (INCHES)	QTY.	210-5	210-10	212
1	Cam Wing Nut	Delrin		1		0210-0001-1000	
2	Screw	Stainless	#8-32 x 1/4 Lg.	3		0135-0042-1000	
3	Front Cover	Cyclac		1		0210-0018-1000	
4	Screw	Stainless	#8-32 x 3/4 Lg.	4		0210-0036-1000	
5	Washer	Stainless	#8	4		0135-0016-1000	
6	Pump Head & Piston Assembly	Ryton, Viton, Teflon, Ceramic	1/2 Dia.	1	0210-0074-0200		
7	Screw (Connecting Arm)	Stainless	#6-32 Left Hand Thread	1		0210-0082-1000	
8	Connecting Arm Assembly	Steel, Stainless, Bronze		1		0210-0004-0200	
9	Adjustable Cam Drive	Delrin		1		0210-0016-1000	
10	Set Screw	Steel	#8-32 x 1/4 Lg.	1		0210-0038-1000	
11	Motor Cam	Steel		1		0210-0080-0000	
12	Screw	Stainless	#10-32 x 5/8 Lg.	4		0212-0032-1000	
13	Rubber Leg Grommet	Rubber		4		0410-0045-1000	
14	Screw	Stainless	#10-32 x 1-1/4 Lg.	1		0210-0029-1000	
15	Graduation Label	Mylar		1		0210-0033-1000	
16	Base (Motor Connecting) Bracket	Noryl		1		0210-0021-1000	
17	Motor (75 RPM) 115V 60Hz w/fan			1	0212-0035-1000		
18	Motor (75 RPM) 230V 50/60Hz w/fan			1	0212-0036-1000		
19	Motor (235 RPM) 115V 60Hz w/fan			1		0212-0033-1000	
20	Motor (235 RPM) 230V 50/60Hz w/fan			1		0212-0034-1000	
21	Motor Cover	Cyclac		1		0210-0019-1000	
A	Holding Screw - Magnet Assembly	Ryton		2	0210-0025-0100		
B	"O" Ring	Viton		2	0210-0008-1000		
C	Valve-Magnet Assembly	Ryton		2	0210-0071-0100		
D	Valve Disc	Viton		2	0210-0070-1000		
E	Holding Screw - Magnet Assembly	Ryton		2			0212-0003-0100
F	"O" Ring	Viton		2			0212-0017-1000
G	Valve-Magnet Assembly	Ryton		2			0212-0002-0100
H	Pump Head & Piston Assembly	Ryton, Viton, Teflon, Ceramic	3/4 Dia.	1			0212-0008-0200

NOTE: Contact Factory for other materials and/or parts not listed.

0210-0059-1000 R12