



# MARCH PUMPS

1819 PICKWICK AVE., GLENVIEW, IL 60026-1306, U.S.A  
 PHONE: (847) 729-5300 - FAX: (847) 729-7062  
 WWW.MARCHPUMP.COM

## DESCRIPTION:

Series 335 pumps are centrifugal magnetic drive pumps, eliminating the need for a shaft seal. Pumps can be serviced with an adjustable wrench. See the parts list for a breakdown of parts.

**Model Abbreviations:** A: Smooth Inlet/Outlet, C: Threaded Inlet/Outlet

## OPERATION:

Pumps are not self-priming, lack a suction lift, and thus require a **flooded suction**. Pumps **cannot be run dry** because the impeller requires the liquid being pumped for lubrication. The direction of motor rotation should be clockwise when facing the inlet of the pump. For liquids with a specific gravity greater than water, have a higher viscosity, or for elevated temperatures, a trimmed impeller may be necessary. For application assistance, contact March Pump.

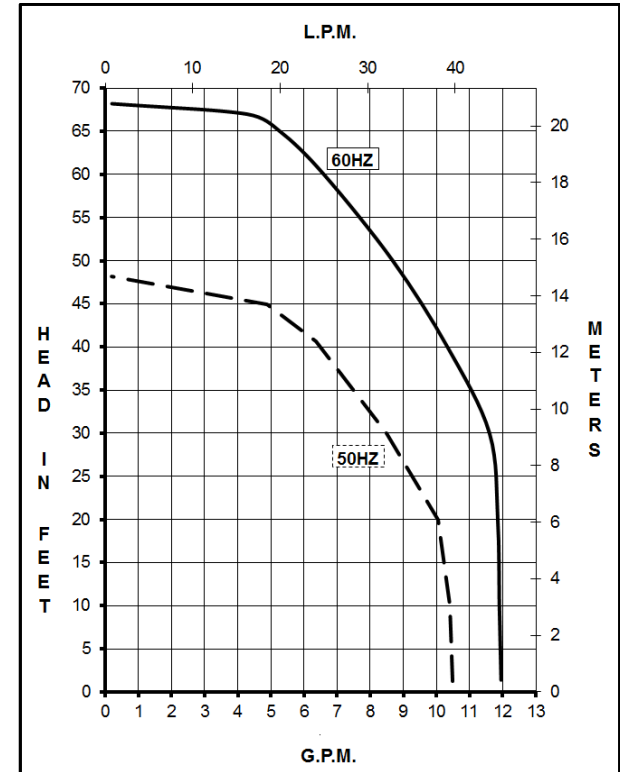
## ELECTRICAL:

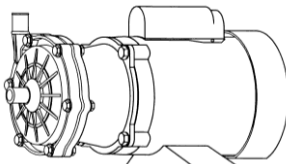
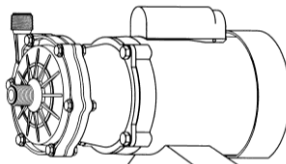
335 pumps are dual voltage 115/230, 1 phase 50/60 Hz or dual voltage 230/460 60 Hz (190/380 50 Hz), 3 phase, TEFC. Motors are totally enclosed fan cooled and are U.L. listed as well as rated for continuous operation. All motors have a conduit box for electrical connections.

## LIMITED WARRANTY:

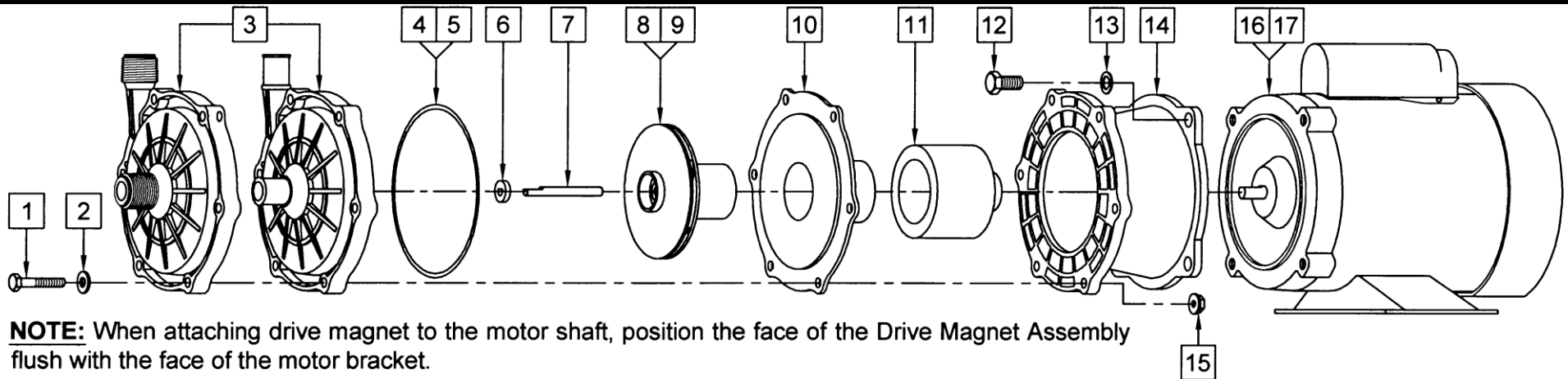
March pumps are guaranteed only against defects in workmanship or materials for a period of one year from date of manufacture pumping water. For the complete warranty and to register online go to [www.marchpump.com/warranty-registration](http://www.marchpump.com/warranty-registration)

## 335-AP-MD, 335-CP-MD



SPECIFICATIONS		335-AP-MD														335-CP-MD																
																																
Product #	1 Phase	0335-0001-0300														0335-0001-0100																
	3 Phase	0335-0001-0400														0335-0001-0200																
Inlet - Outlet		3/4" OD - 3/4"OD														3/4" MPT - 3/4" MPT																
Max Internal Pressure		50 psi (344 kPa)														50 psi (344 kPa)																
Max Liquid Temperature		190 °F (87 °C)														190 °F (87 °C)																
MODEL	60 Hz												50 Hz												Height		Width		Length		Packed Weight	
	Max Flow gpm   lpm	Max Head			ELECTRICAL						Max Flow gpm   lpm	Max Head			ELECTRICAL						Inches   cm	Inches   cm	Inches   cm	Inches   cm								
335-AP-MD 335-CP-MD	12   45.4	68	29.5	20.7	1	115	4.4	1/3	0.249	3450	10   37.8	47.9	20.8	14.6	1	115	4.4	1/3	0.249	2850	7.79	19.7	7.74	19.6	13.67	34.7	23.80	10.79				
	12   45.4	68	29.5	20.7	3	230	1.2	1/3	0.249	3450	10   37.8	47.9	20.8	14.6	3	190	1.2	1/4	0.186	2850	7.44	18.8	9.25	23.4	14.49	36.8	28.10	12.74				

All specifications & data are based on pumping water & are intended as a guideline only. Specifications may vary with different motors.



**NOTE:** When attaching drive magnet to the motor shaft, position the face of the Drive Magnet Assembly flush with the face of the motor bracket.

#	DESCRIPTION	MATERIAL	SIZE (Inches)	QTY.	335-AP-MD	335-CP-MD
1	Screw	Stainless	1/4-20 x 1-1/2 Lg.	6	0153-0011-1000	
2	Washer	Stainless	1/4 ID x 5/8 OD	6	0157-0023-1000	
3	Front Housing w/Inlet & Outlet	Polypropylene	3/4 OD	1	0335-0003-1000	
3	Front Housing w/Inlet & Outlet	Polypropylene	3/4 MPT	1		0335-0002-1000
4	"O" Ring	Viton	1/8 CS x 5 OD	1		0335-0009-1000
5	"O" Ring (Option)	Viton/Teflon		1		0335-0016-1000
6	Thrust Washer	Ceramic		1	0821-0079-1000	
7	Shaft	Ceramic		1	0130-0024-1000	
8	Impeller	Polypropylene		1	0335-0005-0200	
9	Impeller w/Carbon Bushing (Option)	Polypropylene		1	0335-0005-0400	
10	Rear Housing w/Ceramic Thrust Washer	Polypropylene		1	0335-0004-0100	
11	Drive Magnet			1	0335-0017-0000	
12	Screw	Stainless	3/8-16 x 1 Lg.	4	0155-0017-1000	
13	Washer	Stainless	3/8 ID x 5/8 OD	4	0155-0019-1000	
14	Motor Bracket	Plastic		1	0335-0010-1000	
15	Hex Nut	Stainless	1/4-20	6	0156-0053-1000	
16	Motor, TEFC, 115/230 V, 50/60 Hz, 1 Phase			1	0151-0015-1000	
17	Motor, TEFC, 230/460 V, 50/60 Hz, 3 Phase (Not Shown)			1	0151-0039-1000	

**Materials in Contact with Solution:**

Polypropylene, Ceramic, Viton

Explosion proof and special voltage motors are available upon special order.

NOTE: Contact Factory for other materials and/or parts not listed. All dimensions are in inches unless otherwise marked.

0335-0011-1000 R10