



MARCH PUMPS

1819 PICKWICK AVE., GLENVIEW, IL 60026-1306, U.S.A
 PHONE: (847) 729-5300 - FAX: (847) 729-7062
 WWW.MARCHPUMP.COM

830 HOT WATER PUMPS

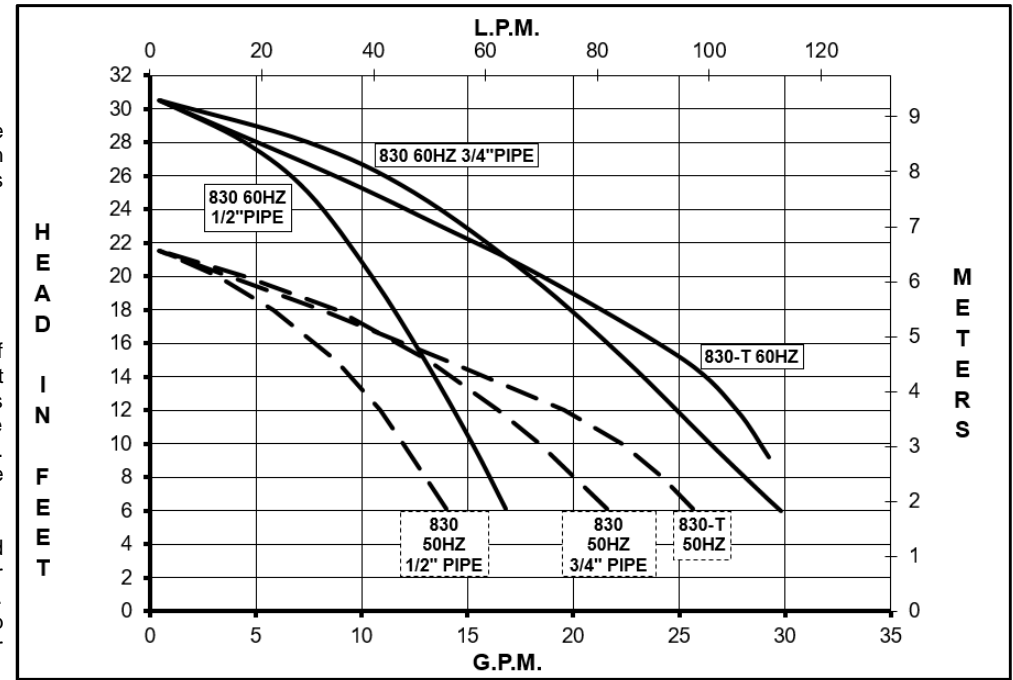
DESCRIPTION & OPERATION: March 830 hot water booster series are centrifugal magnetic drive pumps built to handle liquid transfer in heating and cooling operations. Contact the factory for application assistance. Pumps are not self-priming, lack a suction lift, and thus require a flooded suction. Pumps cannot be run dry.

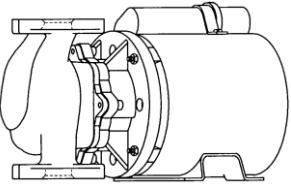
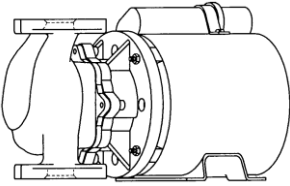
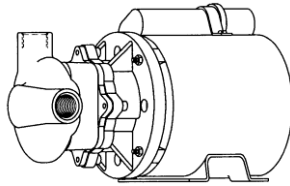
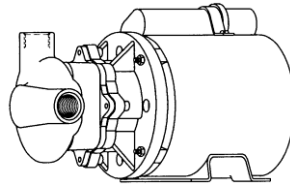
Model Abbreviations: BR: Bronze, CI: Cast Iron, T: Threaded

ELECTRICAL: Models have air cooled motors with a junction box for electrical connections.

INSTALLATIONS: Pumps should be installed with the pump housing arrow pointing in the direction of flow within the system. If the arrow indicating flow is not in the direction required, remove the socket head housing screws holding the housing to the motor bracket and rotate the housing assembly as required. Replace the screws and tighten. The pump is composed of a wet end assembly which can be separated by unscrewing the socket head housing screws. The pump will then separate into 2 parts. The liquid will be contained within the wet end assembly unless the flat head connecting screws on the rear housing are loosened.

GENERAL SAFETY INFORMATION: Follow all local safety codes & the Occupational Safety and Health Act (OSHA). Make certain that the power source conforms to the requirements of your equipment. Always disconnect power source before performing any work on or near the electric motor. Caution must be exercised to relieve any pressure in the system & in draining hot liquid from the pump or the system. March cannot recommend the 830 Series out of bronze where the liquid is used for human consumption per California Law due to the presence of lead.

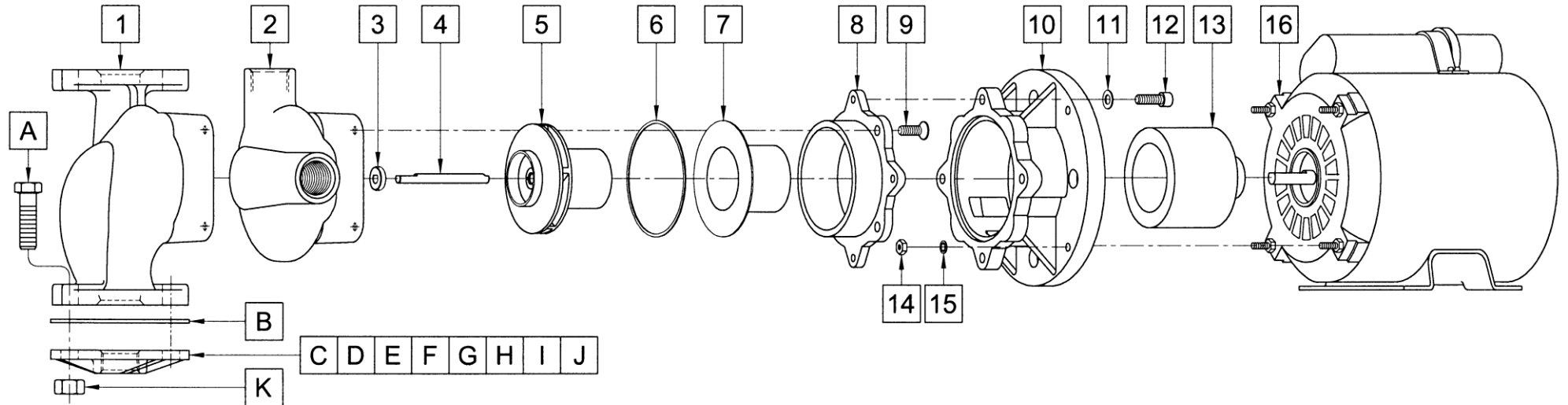


SPECIFICATIONS	830-BR		830-CI		830-BR-T		830-CI-T																							
																														
Product #	0175-0005-0100		0175-0005-0200		0175-0005-0300		0175-0005-0400																							
Inlet - Outlet	Flange - Flange		Flange - Flange		3/4" FPT - 3/4" FPT		3/4" FPT - 3/4" FPT																							
Max Internal Pressure	150 psi (1034 kPa)		150 psi (1034 kPa)		150 psi (1034 kPa)		150 psi (1034 kPa)																							
Max Liquid Temperature	250 °F (121 °C)		250 °F (121 °C)		250 °F (121 °C)		250 °F (121 °C)																							
MODEL	60 Hz											50 Hz											Height		Width		Length		Packed Weight	
	Max Flow		Max Head		ELECTRICAL							Max Flow		Max Head		ELECTRICAL							Inches	cm	Inches	cm	Inches	cm	lbs	kg
	gpm	lpm	ft	psi	m	Ph	V	A	Hp	kW	Rpm	gpm	lpm	ft	psi	m	Ph	V	A	Hp	kW	Rpm								
830-BR	15	56.8	30.5	13.2	9.3	1	115	2.7	1/5	0.149	3450	14	52.9	21.3	9.2	6.5	1	115	2.9	1/5	0.149	2850	6.93	17.6	5.81	14.7	12.25	31.1	21.5	10
830-CI	15	56.8	30.5	13.2	9.3	1	115	2.7	1/5	0.149	3450	14	52.9	21.3	9.2	6.5	1	115	2.9	1/5	0.149	2850	6.93	17.6	5.81	14.7	12.25	31.1	21	9.5
830-BR-T	29	109.8	30.5	13.2	9.3	1	115	2.7	1/5	0.149	3450	25	94.6	21.3	9.2	6.5	1	115	2.9	1/5	0.149	2850	6.93	17.6	5.84	14.8	11.84	30.0	19	8.5
830-CI-T	29	109.8	30.5	13.2	9.3	1	115	2.7	1/5	0.149	3450	25	94.6	21.3	9.2	6.5	1	115	2.9	1/5	0.149	2850	6.93	17.6	5.84	14.8	11.84	30.0	18.5	8

All specifications & data are based on pumping water & are intended as a guideline only. Specifications may vary with different motors.

PARTS LIST

DISASSEMBLY & REASSEMBLY: The motor can be removed from the wet end assembly without draining the liquid from the system. To do so remove four socket head housing screws and slide the motor assembly away. If parts inside the wet end assembly must be removed, isolate the pump or drain the system. When the system is drained and cool, remove the four flat head connecting screws from the rear of the housing. The rear housing can now be removed. Remaining pump parts can be removed. Replace any worn or damaged parts. Replace the gasket anytime the rear housing is removed.



#	DESCRIPTION	MATERIAL	Size (Inches)	QTY.	830 BR	830 CI	830 BR-T	830 CI-T
1	Pump Housing	Bronze	Flanged	1	0821-0064-0000			
		Cast Iron		1		0821-0025-0001		
2	Pump Housing	Bronze	3/4 Threaded	1			0821-0075-0000	
		Cast Iron		1				0821-0080-0001
3	Thrust Washer	Ceramic		1			0821-0079-1000	
4	Shaft	Stainless		1			0821-0036-1000	
5	Impeller w/Bushing	Ryton/Teflon/Carbon	2.812 Dia.	1			0175-0073-0200	
6	Gasket	Nitrile/Fibre	2.843 ID x 0.047 Thick	1			1043-0002-1000	
7	Rear Housing	Stainless		1			0821-0035-0100	
8	Housing Connecting Ring	Aluminum		1			0821-0044-0000	
9	Flat Head Connecting Screw	Steel	1/4-20 x 3/4 Lg.	4			1043-0009-1000	
10	Motor Bracket	Plastic		1			0175-0027-1000	
11	Washer	Stainless	1/2 OD	4			0155-0021-1000	
12	Socket Head Housing Screw	Steel	1/4-20 x 3/4 Lg.	4			0804-0052-1000	
13	Drive Magnet			1			0151-0061-0200	
14	Hex Nut	Brass (Nickel Plated)	#8-32	4			0410-0039-1000	
15	Lock Washer	Stainless	#8	4			0620-0010-1000	
16	Motor, 115 V/230 V, 50/60 Hz			1			0175-0087-1000	

OPTION PARTS FOR ALL MODELS

#	DESCRIPTION	MATERIAL	SIZE (Inches)	QTY.	PART #	#	DESCRIPTION	MATERIAL	SIZE (Inches)	QTY.	PART #
A	Hex Head Screw	Steel	7/16-14 x 1-1/2 Lg.	4	0804-0054-1000	G	Flange	Steel	3/4	2	0804-0047-0000
B	Gasket, Flange	EPDM		1	0821-0105-1000	H	Flange	Steel	1	2	0821-0045-0000
C	Flange	Bronze	3/4	2	0821-0069-0000	I	Flange	Steel	1-1/4	2	0821-0048-0000
D	Flange	Bronze	1	2	0821-0065-0000	J	Flange	Cast Iron	1-1/2	2	0821-0049-0000
E	Flange	Bronze	1-1/4	2	0821-0072-0000	K	Hex Nut	Steel	7/16-14	4	0804-0055-1000
F	Flange	Bronze	1-1/2	2	0821-0066-0000						

LIMITED WARRANTY: March pumps are guaranteed only against defects in workmanship or materials for a period of one year from date of manufacture pumping water. For the complete warranty and to register online go to www.marchpump.com/warranty-registration

NOTE: Contact Factory for other materials and/or parts not listed.

0175-0028-1000 R7