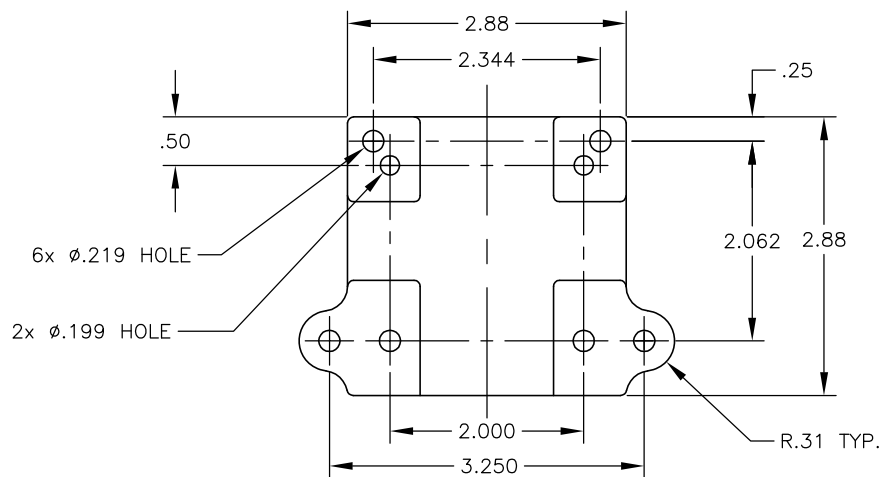
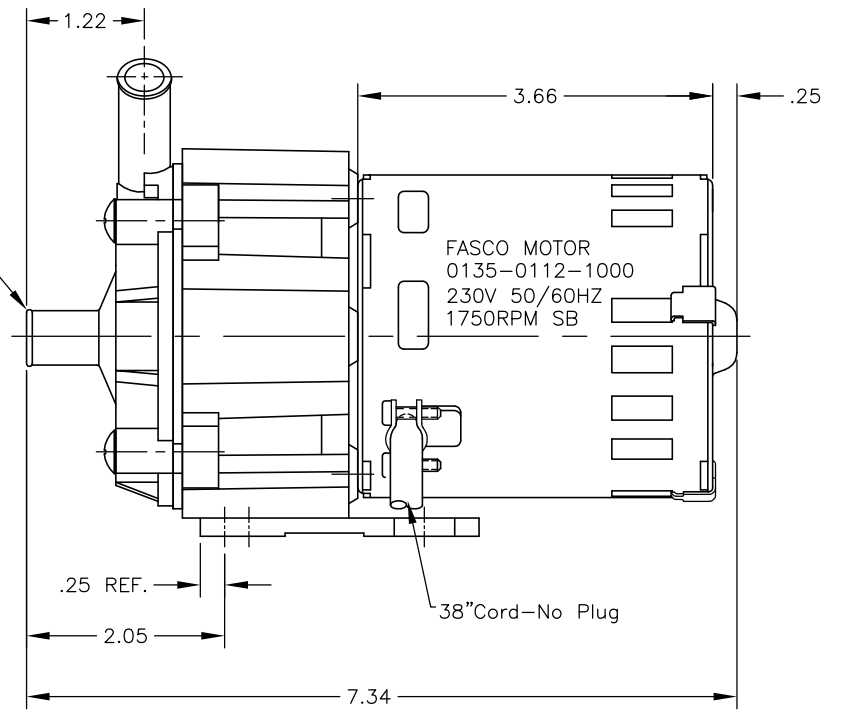


INLET FOR
1/2" I.D.
TUBING



UNLESS NOTED
OTHERWISE
ALL DIMS. ARE
IN INCHES.

DIMS. TOL.
0.000 ±0.005
0.00 ±0.03
FRACTIONS ±1/64
ANGLES ±1°

MARCH MFG. INC.

1819 PICKWICK AVE. GLENVIEW, ILLINOIS

DRAWN BY JERRY	CHKD BY HANS	FINISH	DRWG SIZE 13 x 20
DATE 08/14/07	DATE 08/14/07	MOLD NO.	TOOL NO.
		FIXTURE NO.	

THIS DOCUMENT DISCLOSES SUBJECT MATTER IN WHICH MARCH MFG. INC. HAS PROPRIETARY RIGHTS, NEITHER RECEIPT NOR POSSESSION THEREOF CONFERS OR TRANSFERS ANY RIGHT TO REPRODUCE OR DISCLOSE THE DOCUMENT, ANY PART THEREOF, ANY INFORMATION CONTAINED THEREIN, OR ANY PHYSICAL ARTICLE OR DEVICE OR TO PRACTICE ANY METHOD OR PROCESS, EXCEPT BY WRITTEN PERMISSION FROM OR WRITTEN AGREEMENT WITH MARCH MFG. INC.

G	JBT	08/14/07	Redrawn in autocad.
REV.	INITIALS	DATE	E.C.O. CHANGE
CUSTOMER			
MATERIAL			
PART NO.	0135-0163-0100 d1		REV. G

PART NAME **Dimensional Assy MDX-1/2 230V 50/60HZ (w/Fasco Mtr)**