



MARCH PUMPS

1819 PICKWICK AVE., GLENVIEW, IL 60026-1306, U.S.A
 PHONE: (847) 729-5300 - FAX: (847) 729-7062
 WWW.MARCHPUMP.COM

DESCRIPTION:

Series 5 are centrifugal magnetic drive pumps, eliminating the need for a shaft seal. All are serviceable with a screwdriver.

OPERATION:

Pumps are not self-priming, lack a suction lift, and thus require a **flooded suction**. Pumps **cannot be run dry** because the impeller requires the liquid being pumped for lubrication. For liquids with a specific gravity greater than water, have a higher viscosity, or for elevated temperatures, a trimmed impeller may be necessary. For application assistance, contact March Pump.

ELECTRICAL:

Models are dual voltage 115 Volt / 230 Volt and have a conduit box. Models have U.L. listed motors, which are rated for continuous duty.

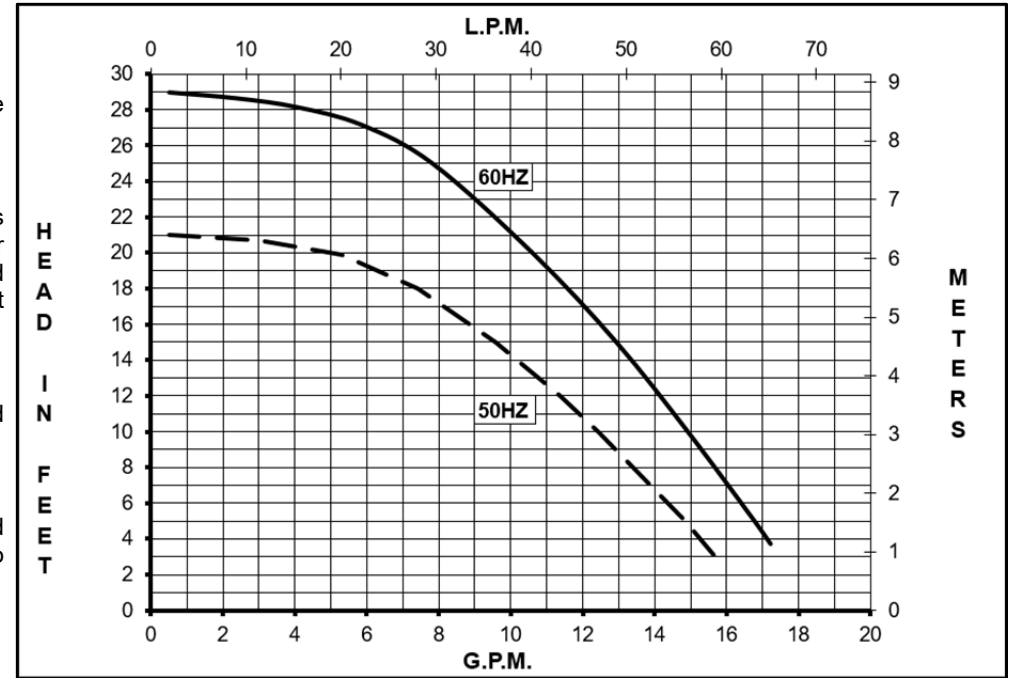
LIMITED WARRANTY:

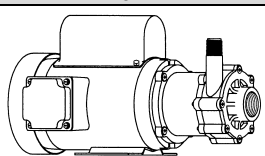
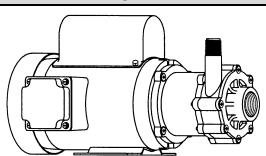
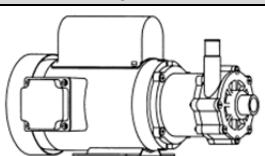
March pumps are guaranteed only against defects in workmanship or materials for a period of one year from date of manufacture pumping water. For the complete warranty and to register online go to www.marchpump.com/warranty-registration

Model Abbreviations:

C/K: Threaded Inlet/Outlet, A: Smooth Inlet/Outlet, K: Kynar,
 TE: Totally Enclosed Fan Cooled

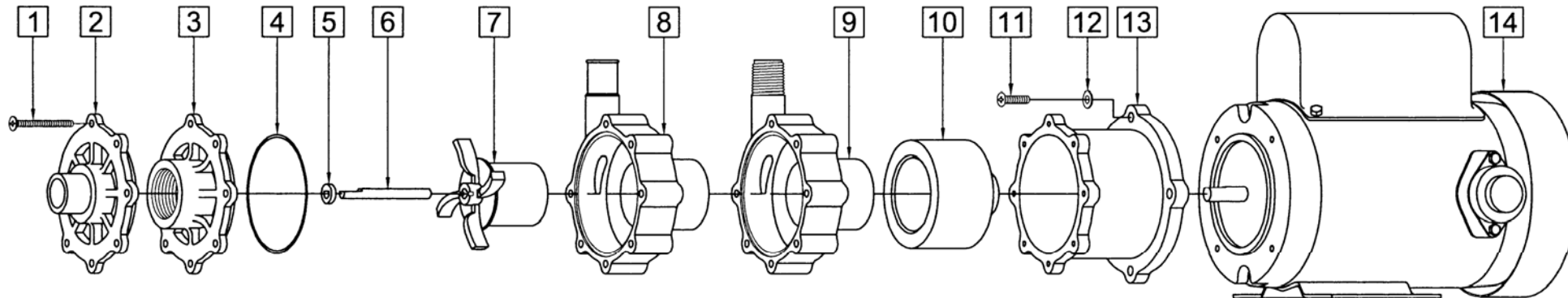
TE-5C-MD, TE-5A-MD, TE-5K-MD



SPECIFICATIONS	TE-5C-MD										TE-5K-MD										TE-5A-MD									
																														
Product #	0150-0026-0300										0150-0026-0700										0150-0160-0100									
Inlet - Outlet	1" FPT - 1/2" MPT										1" FPT - 1/2" MPT										1" OD - 3/4" OD									
Max Internal Pressure	50 psi (344 kPa)										75 psi (517 kPa)										50 psi (344 kPa)									
Max Liquid Temperature	190 °F (87 °C)										200 °F (93 °C)										190 °F (87 °C)									
MODEL	60 Hz										50 Hz										Height		Width		Length		Packed Weight			
	Max Flow gpm lpm	Max Head			ELECTRICAL					Max Flow gpm lpm	Max Head			ELECTRICAL					Inches	cm	Inches	cm	Inches	cm	lbs	kg				
TE-5C-MD	18 68.1	29	12.6	8.85	1	115 2.10 230 1.05	0.2	0.149	3450	15.9	60.5	20.7	8.96	6.3	1	110 2.2 220 1.1	0.2	0.149	2850	7.19	18.2	8.02	20.3	13	33.0	22.50	10.20			
TE-5K-MD	18 68.1	29	12.6	8.85	1	115 2.10 230 1.05	0.2	0.149	3450	15.9	60.5	20.7	8.96	6.3	1	110 2.2 220 1.1	0.2	0.149	2850	7.19	18.2	8.02	20.3	13	33.0	22.70	10.29			
TE-5A-MD	18 68.1	29	12.6	8.85	1	115 2.10 230 1.05	0.2	0.149	3450	15.9	60.5	20.7	8.96	6.3	1	110 2.2 220 1.1	0.2	0.149	2850	7.19	18.2	8.02	20.3	13.56	34.4	22.50	10.20			

All specifications & data are based on pumping water & are intended as a guideline only. Specifications may vary with different motors.

PARTS LIST



When attaching the Drive Magnet to motor shaft, position the face of the Drive Magnet 3/32 inch below the face of the Motor Bracket.

#	DESCRIPTION	MATERIAL	SIZE (Inches)	QTY.	PART #		
					TE-5C-MD	TE-5A-MD	TE-5K-MD
1	Screw	Stainless	#8-32 x 1-3/4 Lg.	7		0150-0021-1000	
2	Cover	Polypropylene	1 OD Inlet	1		0150-0150-1000	
3A	Cover	Polypropylene	1 FPT Inlet	1	0150-0032-1000		
3B	Cover	Kynar/Carbon	1 FPT Inlet	1			0150-0124-1000
4A	"O" Ring	Viton	0.078 CS x 2.834 ID	1		0750-0986-1000	
4B	"O" Ring (Option)	Viton/Teflon	0.070 CS x 3-1/8 OD	1		0150-0171-1000	
4C	"O" Ring (Option)	Buna N	0.078 CS x 2.834 ID	1		0750-0987-1000	
5	Thrust Washer	Ceramic		1		0130-0028-1000	
6	Shaft	Ceramic		1		0130-0024-1000	
7A	Impeller	Polypropylene		1	0150-0098-0200		
7B	Impeller w/Carbon Bushing (Option)			1	0150-0098-0300		
7C	Impeller w/Mica Teflon Bushing (Option)			1	0150-0098-0500		
7D	Impeller			1			0150-0125-0200
7E	Impeller w/Carbon Bushing (Option)	Kynar/Glass		1			0150-0125-0300
7F	Impeller w/Mica Teflon Bushing (Option)			1			0150-0125-0500
8	Rear Housing w/Ceramic Thrust Washer		Polypropylene	3/4 OD Outlet	1		0150-0159-0100
9A	Rear Housing w/Ceramic Thrust Washer	Polypropylene	1/2 MPT Outlet	1	0150-0031-0100		
9B	Rear Housing w/Ceramic Thrust Washer	Kynar/Carbon	1/2 MPT Outlet	1			0150-0123-0100
10	Drive Magnet			1		0150-0176-0300	
11	Screw	Stainless	#10-32 x 3/4 Lg.	4		0150-0050-1000	
12	Washer	Stainless	#10	4		0150-0051-1000	
13	Motor Bracket	Plastic		1		0150-0070-0100	
14	Motor, TEFC, 115/230 V, 50/60 Hz			1		0150-0090-1000	
W1	Wet End Kit (TE-5C-MD)	Items (1, 3A, 4A, 5, 6, 7A, 9A)		1	0150-0148-0200		
W2	Wet End Kit (TE-5K-MD)	Items (1, 3B, 4A, 5, 6, 7D, 9B)		1			0150-0149-0200

Materials in Contact with Solution:

TE-5C-MD: Polypropylene, Viton, Ceramic

TE-5A-MD: Polypropylene, Viton, Ceramic

TE-5K-MD: Kynar/Carbon Filled, Kynar/Glass Filled, Viton, Ceramic

Explosion proof & special voltage motors are available for TE-5C-MD, TE-5A-MD, & TE-5K-MD upon special order.

NOTE: Contact Factory for other materials and/or parts not listed.

0150-0060-1000 R32