

# QUICK PRIME

$\frac{3}{4}$  - 3 HP  
Self-Priming Centrifugal Pump



**T**HE QUICK PRIME SELF-PRIMING CENTRIFUGAL PUMP IS DESIGNED FOR DEMANDING JOBS WHERE A LOT OF WATER IS REQUIRED OVER A LONG PERIOD OF TIME. For lawn and garden sprinkling, car washing, or other big cleaning and maintenance jobs, it's built for one purpose only - continuous high performance service. Not for use with corrosive chemicals or flammable liquids. Contact your Myers distributor, or the Myers Ohio sales office at 419/289-1144 for more details.

## ADVANTAGES BY DESIGN

**RUGGEDLY BUILT TO MEET THE DEMANDS FOR LONG, HARD CONTINUOUS SERVICE WITHOUT OVERWORKING OR OVERLOADING THE MOTOR**

- Manufactured to precise performance specifications.
- Impellers are corrosion resistant for long life.
- Single and 3-phase options. NEMA standard motors.
- Sizes:  $\frac{3}{4}$ , 1, 1 $\frac{1}{2}$ , 2 and 3 hp.

**SIMPLE DESIGN FOR POWERFUL, EFFICIENT OPERATION AND EASY SERVICING**

- Proper impeller alignment for smooth, quiet running.
- Unique diffuser design for quick automatic prime. No additional water needed for repriming after installation.
- Common brackets, cases and gaskets on all sizes . . . simplified parts selection.

**MATERIALS OF CONSTRUCTION**

- High tensile gray iron pump case and motor bracket.
- Square rubber sealing rings.
- Proven phenolic diffuser.
- Glass filled polyester and polycarbonate blend or lead-free brass impeller.
- Carbon/ceramic shaft seal.

## TECHNICAL INFORMATION

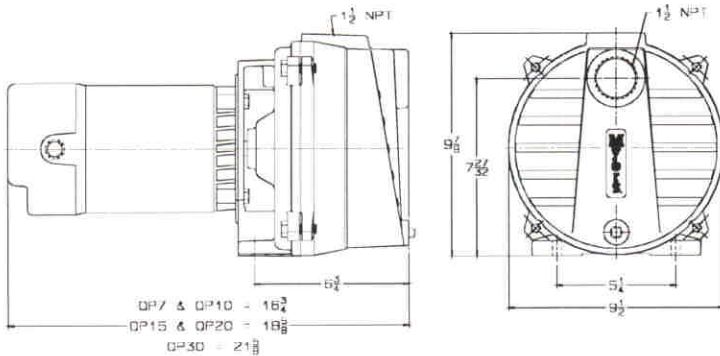
H.P.	Pipe Sizes		Maximum Total Shutoff Hd.		1 & 3 Ø Approx. Wt. Lbs.
	Suct.	Disch.	Feet	PSI	
$\frac{3}{4}$	1 $\frac{1}{2}$ "	1 $\frac{1}{2}$ "	105	45.5	58
1	1 $\frac{1}{2}$ "	1 $\frac{1}{2}$ "	108	47	61
1 $\frac{1}{2}$	1 $\frac{1}{2}$ "	1 $\frac{1}{2}$ "	111	48	68
2	1 $\frac{1}{2}$ "	1 $\frac{1}{2}$ "	116	50	74
3	1 $\frac{1}{2}$ "	1 $\frac{1}{2}$ "	121	52	87

WHERE INNOVATION MEETS TRADITION

# QUICK PRIME

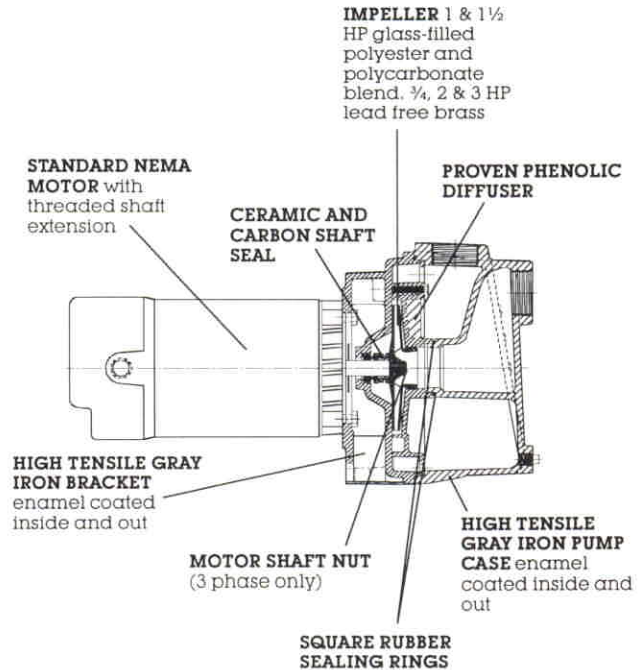
$\frac{3}{4}$  - 3 HP  
Self-Priming Centrifugal Pump

## DIMENSIONS

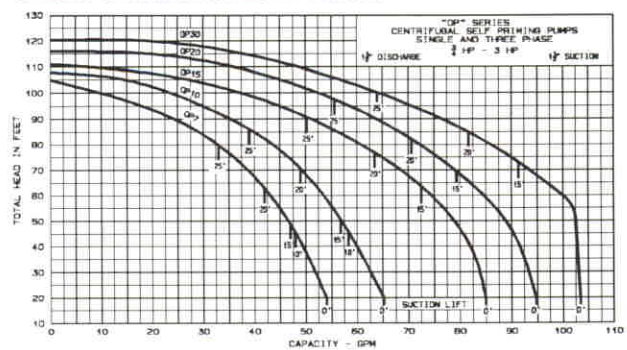


## PERFORMANCE DATA

Model Nos.		HP	Disch. Press. PSI	Capacity in G.P.H. For Discharge Pressure & Total Suction Lift Indicated			
1 Phase	3 Phase			10 Ft.	15 Ft.	20 Ft.	25 Ft.
QP7	QP7-3	$\frac{3}{4}$	20	2445	2290	2170	1995
			25	2145	2010	1855	1650
			30	1845	1635	1390	1080
			35	1295	905	510	
QP10	QP10-3	1	20	3075	2935	2785	2355
			25	2775	2610	2440	2245
			30	2430	2250	2020	1755
			35	1980	1660	1240	600
QP15	QP15-3	1 1/2	20	4300	4165	3805	3015
			25	3990	3750	3525	3015
			30	3575	3300	3035	2700
			35	3030	2620	2220	1495
QP20	QP20-3	2	20	4735	4600	4230	3330
			25	4480	4290	4020	3330
			30	4110	3815	3505	3180
			35	3510	3175	2820	2400
QP30	QP30-3	3	20	5580	5460	4920	3840
			25	5575	5460	4920	3840
			30	5390	5135	4720	3840
			35	4865	4400	3940	3420
			40	4075	3550	2910	2250
45	2875	1800					



## PERFORMANCE CURVE



(a) Single phase units are dual voltage (115/230 v.) 2 & 3 H.P. are 230 only.  
(b) All units are loaded within the motor service factor and are rated for continuous operation.

K3154 2/01  
Printed in U.S.A.

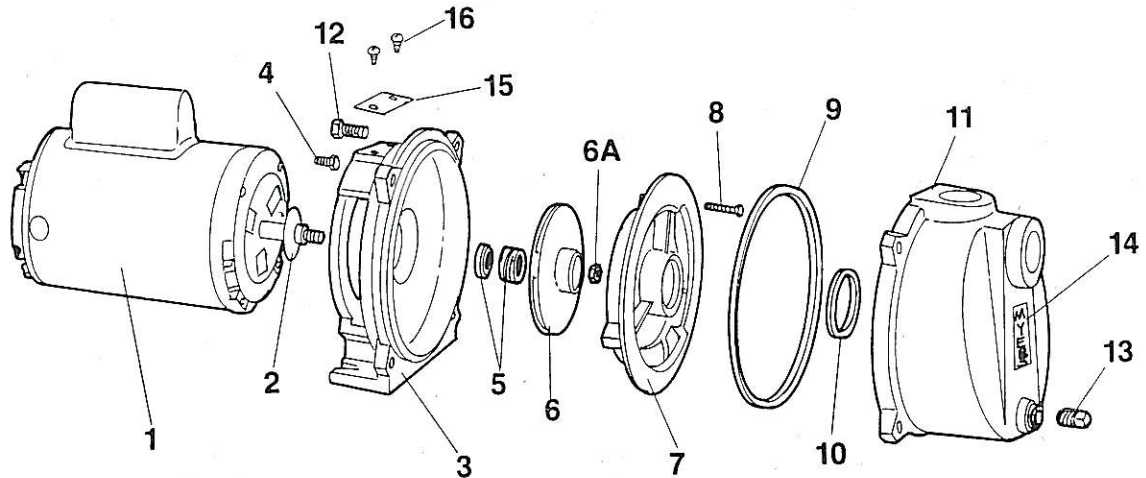


**Myers**<sup>®</sup>  
Pentair Pump Group

F. E. Myers, 1101 Myers Parkway, Ashland, Ohio 44805-1969  
419/289-1144, FAX: 419/289-6658, www.femyers.com

Myers (Canada), 269 Trillium Drive, Kitchener, Ontario N2G 4W5  
519/748-5470, FAX: 519/748-2553

# QP Series Centrifugal Pump Parts List



Ref. No.	Part No.	Description
1	20934A	Motor, 3/4 HP 115/230V 1PH — QP-7 — Replaces 20587A
1	20593A	Motor 3/4 HP 200/230/460V 3PH — QP7-3 — Replaces 21037A On QP7-03
1	20935A	Motor 1 HP 115/230V 1PH — QP-10 — Replaces 20588A
1	20594A	Motor 1 HP 200/230/460V 3PH — QP10-3 — Replaces 21038A On QP10-03
1	20589A	Motor, 1 1/2 HP 115/230V 1PH — QP15
1	20595A	Motor 1 1/2 HP 200/230/460V 3PH — QP15-3 — Replaces 21039A On QP15-03
1	20591A	Motor 2 HP 230V 1PH — QP20
1	20596A	Motor 2 HP 200/230/460V 3PH — QP20-3 — Replaces 21040A On QP20-03
1	20592A	Motor, 3 HP 230V 1PH — QP30
1	20597A	Motor 3 HP 200/230/460V 3PH — QP30-3 — Replaces 21041A On QP30-03
2	5059A318	Slinger
3	20598D	Bracket
4	19101A8	Screw, Cap 3/8-16" x 7/8" — 4 Req'd.
5	14525A	Seal
6	20599B	Impeller — QP7, QP7-3, QP7-03
6	20600B	Impeller, Brass — QP10, QP10-3, QP10-03
6	20600B3	Impeller, GFN-3* — QP10
6	20600B4	Impeller, GFN-3* — QP10-3, QP10-03
6	20601B	Impeller, Brass — QP15, QP15-3, QP15-03
6	20601B3	Impeller, Lexan — QP15
6	20601B4	Impeller, GFN-3* — QP15-3, QP15-03

Ref. No.	Part No.	Description
6	20602B	Impeller — QP20, QP20-3, QP20-03
6	20603B	Impeller — QP30, QP30-3, QP30-03
6A	19109A70	Nut, 7/16-20 SST — Used on 3 Phase Units Only
7	20559D	Diffuser — QP7, QP7-3, QP7-03, QP10, QP10-3, QP10-03
7	20560D	Diffuser — QP15, QP15-3, QP15-03, QP20, QP20-3, QP20-03
7	20561D	Diffuser — QP30, QP30-3, QP30-03,
8	19099A14	Screw, Cap 1/4-20 x 1 1/2" — 3 Req'd.
9	5014A167	Gasket, 8 3/4" OD
10	5014A166	Gasket, 2 1/8" OD
11	20604D	Case
12	19102A2	Screw, Cap 7/16-14 x 1 1/4" — 4 Req'd.
13	5022A9	Plug, 1/4 NPT — Replaces 5022A7, 1" NPT Plug
14	14743A	Emblem "Myers"
15	17908A	Nameplate, Blank
16	5160A1	Screw, Drive — 2 Req'd.

\*Glass Filled Noryl 30%

**Myers**