

QUICK PRIME

$\frac{3}{4}$ - 3 HP
Self-Priming Centrifugal Pump



THE QUICK PRIME SELF-PRIMING CENTRIFUGAL PUMP IS DESIGNED FOR DEMANDING JOBS WHERE A LOT OF WATER IS REQUIRED OVER A LONG PERIOD OF TIME. For lawn and garden sprinkling, car washing, or other big cleaning and maintenance jobs, it's built for one purpose only - continuous high performance service. Not for use with corrosive chemicals or flammable liquids. Contact your Myers distributor, or the Myers Ohio sales office at 419/289-1144 for more details.

ADVANTAGES BY DESIGN

RUGGEDLY BUILT TO MEET THE DEMANDS FOR LONG, HARD CONTINUOUS SERVICE WITHOUT OVERWORKING OR OVERLOADING THE MOTOR

- Manufactured to precise performance specifications.
- Impellers are corrosion resistant for long life.
- Single and 3-phase options. NEMA standard motors.
- Sizes: $\frac{3}{4}$, 1, 1 $\frac{1}{2}$, 2 and 3 hp.

SIMPLE DESIGN FOR POWERFUL, EFFICIENT OPERATION AND EASY SERVICING

- Proper impeller alignment for smooth, quiet running.
- Unique diffuser design for quick automatic prime. No additional water needed for repriming after installation.
- Common brackets, cases and gaskets on all sizes . . . simplified parts selection.

MATERIALS OF CONSTRUCTION

- High tensile gray iron pump case and motor bracket.
- Square rubber sealing rings.
- Proven phenolic diffuser.
- Glass filled polyester and polycarbonate blend or lead-free brass impeller.
- Carbon/ceramic shaft seal.

TECHNICAL INFORMATION

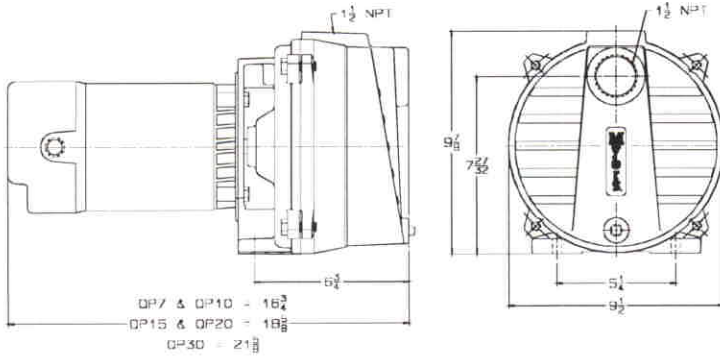
H.P.	Pipe Sizes		Maximum Total Shutoff Hd.		1 & 3 Ø Approx. Wt. Lbs.
	Suct.	Disch.	Feet	PSI	
$\frac{3}{4}$	1 $\frac{1}{2}$ "	1 $\frac{1}{2}$ "	105	45.5	58
1	1 $\frac{1}{2}$ "	1 $\frac{1}{2}$ "	108	47	61
1 $\frac{1}{2}$	1 $\frac{1}{2}$ "	1 $\frac{1}{2}$ "	111	48	68
2	1 $\frac{1}{2}$ "	1 $\frac{1}{2}$ "	116	50	74
3	1 $\frac{1}{2}$ "	1 $\frac{1}{2}$ "	121	52	87

WHERE INNOVATION MEETS TRADITION

QUICK PRIME

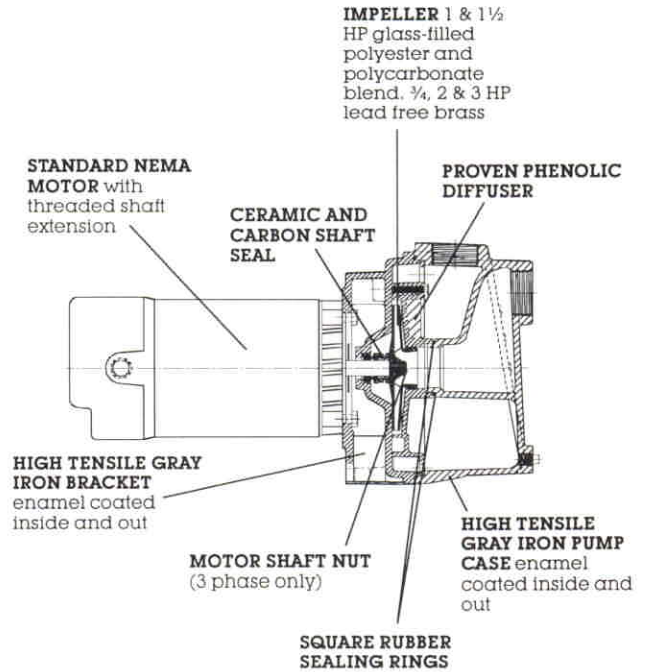
3/4 - 3 HP
Self-Priming Centrifugal Pump

DIMENSIONS

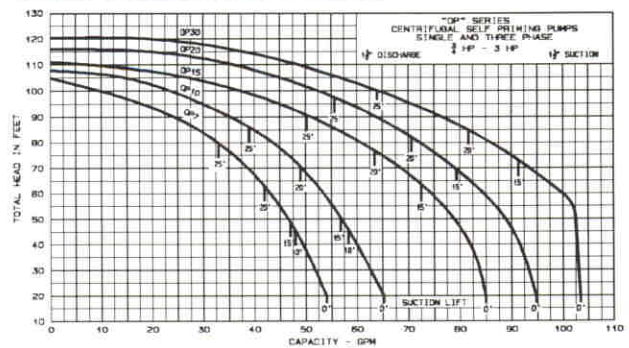


PERFORMANCE DATA

Model Nos.		HP	Disch. Press. PSI	Capacity in G.P.H. For Discharge Pressure & Total Suction Lift Indicated			
1 Phase	3 Phase			10 Ft.	15 Ft.	20 Ft.	25 Ft.
QP7	QP7-3	3/4	20	2445	2290	2170	1995
			25	2145	2010	1855	1650
			30	1845	1635	1390	1080
			35	1295	905	510	
QP10	QP10-3	1	20	3075	2935	2785	2355
			25	2775	2610	2440	2245
			30	2430	2250	2020	1755
			35	1980	1660	1240	600
QP15	QP15-3	1 1/2	20	4300	4165	3805	3015
			25	3990	3750	3525	3015
			30	3575	3300	3035	2700
			35	3030	2620	2220	1495
QP20	QP20-3	2	20	4735	4600	4230	3330
			25	4480	4290	4020	3330
			30	4110	3815	3505	3180
			35	3510	3175	2820	2400
QP30	QP30-3	3	20	5580	5460	4920	3840
			25	5575	5460	4920	3840
			30	5390	5135	4720	3840
			35	4865	4400	3940	3420
			40	4075	3550	2910	2250
45	2875	1800					



PERFORMANCE CURVE



(a) Single phase units are dual voltage (115/230 v.) 2 & 3 H.P. are 230 only.
(b) All units are loaded within the motor service factor and are rated for continuous operation.

K3154 2/01
Printed in U.S.A.

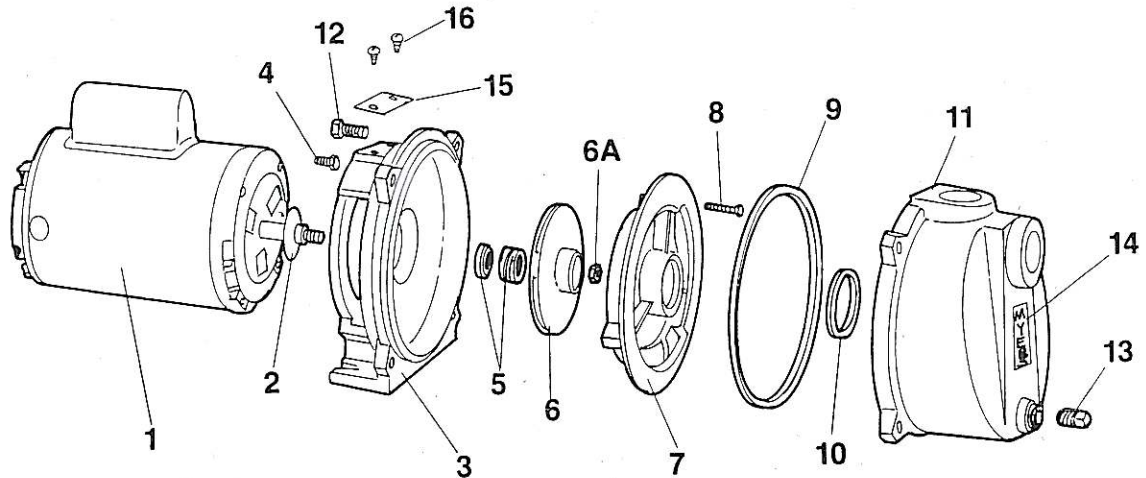


Myers[®]
Pentair Pump Group

F. E. Myers, 1101 Myers Parkway, Ashland, Ohio 44805-1969
419/289-1144, FAX: 419/289-6658, www.femyers.com

Myers (Canada), 269 Trillium Drive, Kitchener, Ontario N2G 4W5
519/748-5470, FAX: 519/748-2553

QP Series Centrifugal Pump Parts List



Ref. No.	Part No.	Description
1	20934A	Motor, 3/4 HP 115/230V 1PH — QP-7 — Replaces 20587A
1	20593A	Motor 3/4 HP 200/230/460V 3PH — QP7-3 — Replaces 21037A On QP7-03
1	20935A	Motor 1 HP 115/230V 1PH — QP-10 — Replaces 20588A
1	20594A	Motor 1 HP 200/230/460V 3PH — QP10-3 — Replaces 21038A On QP10-03
1	20589A	Motor, 1 1/2 HP 115/230V 1PH — QP15
1	20595A	Motor 1 1/2 HP 200/230/460V 3PH — QP15-3 — Replaces 21039A On QP15-03
1	20591A	Motor 2 HP 230V 1PH — QP20
1	20596A	Motor 2 HP 200/230/460V 3PH — QP20-3 — Replaces 21040A On QP20-03
1	20592A	Motor, 3 HP 230V 1PH — QP30
1	20597A	Motor 3 HP 200/230/460V 3PH — QP30-3 — Replaces 21041A On QP30-03
2	5059A318	Slinger
3	20598D	Bracket
4	19101A8	Screw, Cap 3/8-16" x 7/8" — 4 Req'd.
5	14525A	Seal
6	20599B	Impeller — QP7, QP7-3, QP7-03
6	20600B	Impeller, Brass — QP10, QP10-3, QP10-03
6	20600B3	Impeller, GFN-3* — QP10
6	20600B4	Impeller, GFN-3* — QP10-3, QP10-03
6	20601B	Impeller, Brass — QP15, QP15-3, QP15-03
6	20601B3	Impeller, Lexan — QP15
6	20601B4	Impeller, GFN-3* — QP15-3, QP15-03

Ref. No.	Part No.	Description
6	20602B	Impeller — QP20, QP20-3, QP20-03
6	20603B	Impeller — QP30, QP30-3, QP30-03
6A	19109A70	Nut, 7/16-20 SST — Used on 3 Phase Units Only
7	20559D	Diffuser — QP7, QP7-3, QP7-03, QP10, QP10-3, QP10-03
7	20560D	Diffuser — QP15, QP15-3, QP15-03, QP20, QP20-3, QP20-03
7	20561D	Diffuser — QP30, QP30-3, QP30-03,
8	19099A14	Screw, Cap 1/4-20 x 1 1/2" — 3 Req'd.
9	5014A167	Gasket, 8 3/4" OD
10	5014A166	Gasket, 2 1/8" OD
11	20604D	Case
12	19102A2	Screw, Cap 7/16-14 x 1 1/4" — 4 Req'd.
13	5022A9	Plug, 1/4 NPT — Replaces 5022A7, 1" NPT Plug
14	14743A	Emblem "Myers"
15	17908A	Nameplate, Blank
16	5160A1	Screw, Drive — 2 Req'd.

*Glass Filled Noryl 30%

Myers