



# OBERDORFER

## THERMOPLASTIC SELF PRIMING CENTRIFUGAL PUMPS

**MODELS**  
 900G    930G  
 910G    940G

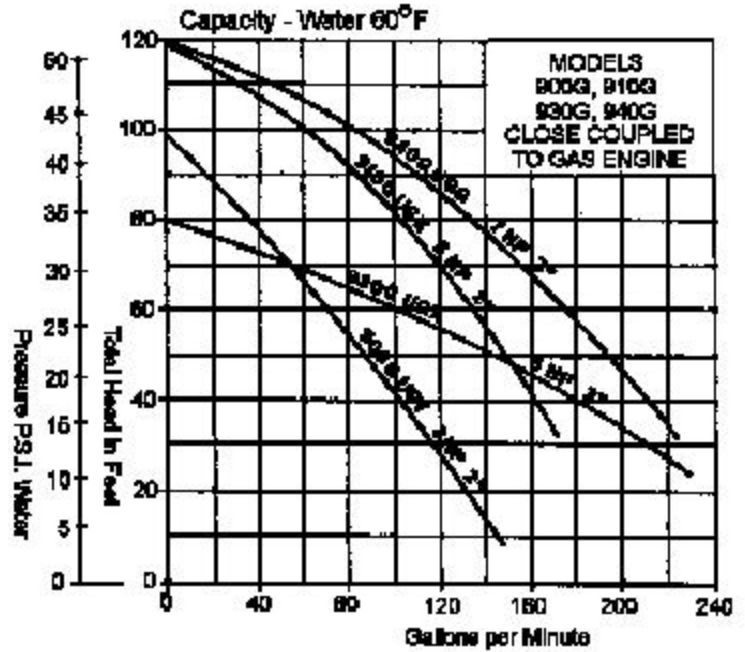
### GAS ENGINE DRIVE

PIPE SIZE:    900G, 910G 2"  
                   930G, 940G 3"



See model 900 for close coupled electric motor drive.  
 See model 90P, 91P, 93P for pedestal drive.

Pump No.	Engine Drive
900G-UGY	Briggs & Stratton 3 H.P. Model 80232, Type 0721-01 or 0035-01
910G-UGX	Briggs & Stratton 5 H.P. Model 130232, Type 0594-01 or 0036-01
930G-UGX	Briggs & Stratton 5 H.P. Model 130232, Type 0594-01 or 0036-01
940G-UGG	Tecumseh 7 H.P. Model HM 70-132009A



### SPECIAL MODEL DESIGNATIONS

- n To specify seal made of Vitont & rubber parts of Vitont, add -10 to basic pump numbers. (Example 900G-10 UGY). Typical applications include solvents and chemicals.
- n To specify seal made of Vitont & rubber parts of Ethylene Propylene (EPDM), add -12 to basic pump numbers. (Example 900G-12 UGY). Typical applications include agricultural chemicals.
- n To specify rubber Volute liner, add -13 to basic pump numbers (Example 900G-13 UGY). Typical applications include dirty liquids.

### APPLICATIONS

INDUSTRIAL - CHEMICAL - AGRICULTURE  
 MARINE - CONTRACTOR - UTILITY

- n General Water Supply
- n Emergency Stand-by
- n Lawn Sprinkling
- n Pumping from Underground Tanks
- n Industrial Sump Drainage
- n Recirculation of Process Liquids
- n Dewatering of Ditches, Cellars, Ponds
- n Washing Down Barns or Equipment
- n Irrigation - Flood Furrow or Sprinkler
- n Pumping Cess Pools

TEMPERATURE RANGE: -20°F to 130°F

Note: Vitont is a registered trademark of DuPont Dow Elastomers.

### FEATURES

- n Tough, lightweight, thermoplastic polyester housings and impellers for chemical and wear resistance.
- n Excellent corrosion resistance to water, acids and most organic solvents - liquids normally requiring expensive pump liners or stainless steel construction.
- n Quiet, efficient, long life.
- n Self priming to 25 feet suction lift in approximately 1 minute depending on pump R.P.M. and altitude.
- n Stainless steel fasteners.
- n Mechanical seals with ceramic wearface mating with lapped carbon.
- n Standard seal elastomer material is Buna - also available in Vitont - also available in EPDM.
- n Rubber Volute liner is available for dirty liquids.
- n Built in check valve prevents back flow when pump is shut down.

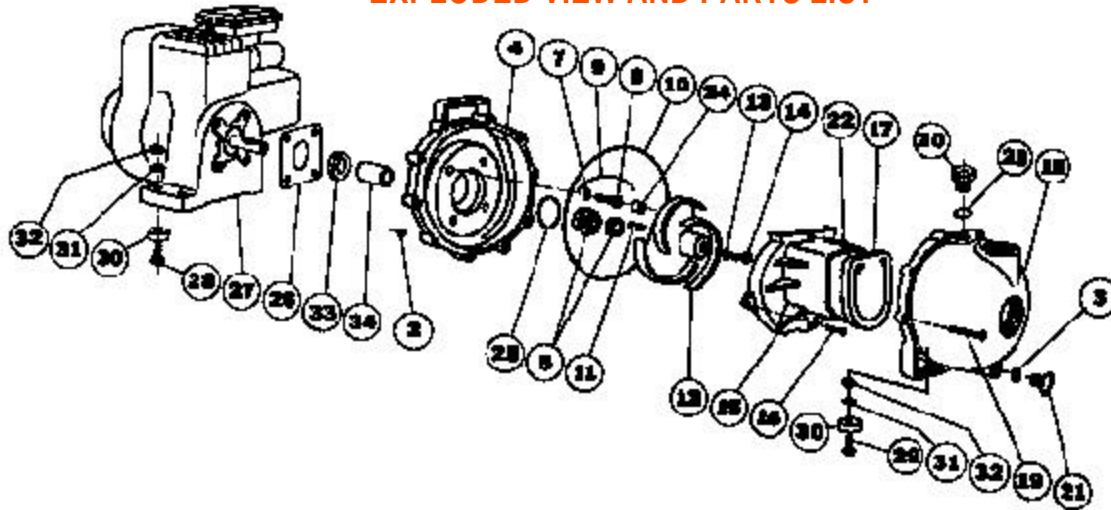
**MODELS**  
 900G 930G  
 910G 940G

# OBERDORFER

## THERMOPLASTIC SELF PRIMING CENTRIFUGAL PUMPS



### EXPLODED VIEW AND PARTS LIST

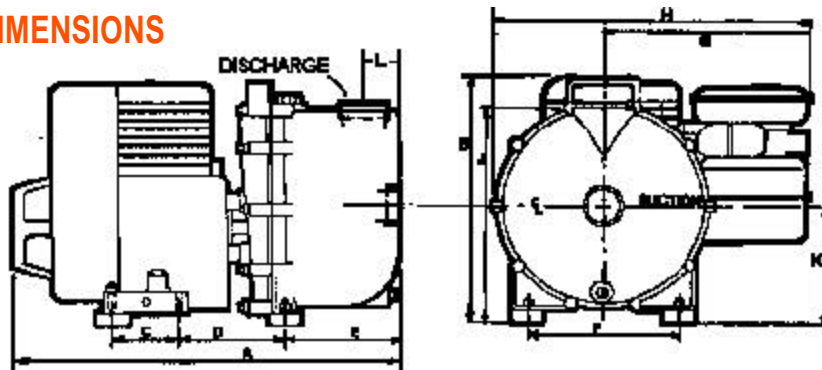


Repair Kit No.*	Pump No.	2	3	4	5	7	8	9	10	11	12	13	14	15	16	17	18
		Hex Nut	O-Ring	Bracket	Seal Assy.	O-Ring	Screw	O-Ring Segment	O-Ring	Key	Impeller	O-Ring	Screw	Volute	Screw	Check Valve	Body
		10 Req'd	1 Req'd	1 Req'd	1 Req'd	4 Req'd	4 Req'd	1 Req'd	1 Req'd	1 Req'd	1 Req'd	1 Req'd	1 Req'd	1 Req'd	2 Req'd	1 Req'd	1 Req'd
024-704	900G-UGY	721-00	1009-71	703-30	714-11	717-71	728-10	754-71	719-71	718-00	704-30	717-71	716-10	702-30	725-10	705-71	1002-30
024-706	910G-UGX	721-00	1009-71	703-30	714-11	717-71	728-10	754-71	719-71	718-00	706-30	717-71	716-10	702-30	725-10	705-71	1002-30
024-975	930G-UGX	721-00	1009-71	703-30	714-11	717-71	728-10	754-71	719-71	718-00	975-30	717-71	716-10	977-30	725-10	705-71	755-30
024-706	940G-UGG	721-00	1009-71	703-30	714-11	717-71	728-10	754-71	719-71	718-00	706-30	717-71	716-10	702-30	725-10	705-71	755-30

Pump No.	19	20	21	22	23	24	25	26	27	28	29	30	31	32	33	34
	Screw	Filler Plug	Drain Plug	Volute Screw	O-Ring	Screw Plug	O-Ring	Bracket Shim	Engine	Screw	Screw	Rubber Feet	Washer	Hex Nut	Slinger	Shaft Sleeve
	10 Req'd	1 Req'd	1 Req'd	1 Req'd	1 Req'd	4 Req'd	1 Req'd	1 Req'd	1 Req'd	2 Req'd	2 Req'd	4 Req'd	4 Req'd	4 Req'd	1 Req'd	1 Req'd
900G-UGY	720-00	722-30	723-30	771-10	765-71	750-40	976-71	751-90	8090	728-00	729-00	727-90	730-00	731-00	884-71	882-90
910G-UGX	720-00	722-30	723-30	771-10	765-71	750-40	976-71	751-90	8091	728-00	729-00	727-90	730-00	731-00	884-71	882-90
930G-UGX	720-00	722-30	723-30	771-10	765-71	750-40	976-71	751-90	8091	728-00	729-00	727-90	730-00	731-00	884-71	882-90
940G-UGG	720-00	722-30	723-30	771-10	765-71	750-40	976-71	751-90	8360	728-00	729-00	727-90	730-00	731-00	884-71	882-90

\*Repair Kit includes 3,5,7,9,11,12,13,14,16,22,23,25 & 26

### DIMENSIONS



Model	Horsepower	Suction & Discharge	A	B	C	D	E	F	G	H	J	K	L
990G-UGY	3	2" NPT	17.75	12.94	3.13	4.19	5.31	7.31	9.25	14.75	11.13	5.75	1.5
910G-UGX	5	2" NPT	20.75	14.63	3.13	4.19	5.31	7.31	10.25	15.75	11.13	5.75	1.5
930G-UGX	5	3" NPT	20.75	14.63	3.13	4.19	5.31	7.31	10.25	15.75	11.13	5.75	1.95
940G-UGG	7	3" NPT	23.25	15.13	3.13	5.19	5.31	7.31	10.25	17.50	11.13	5.75	1.95