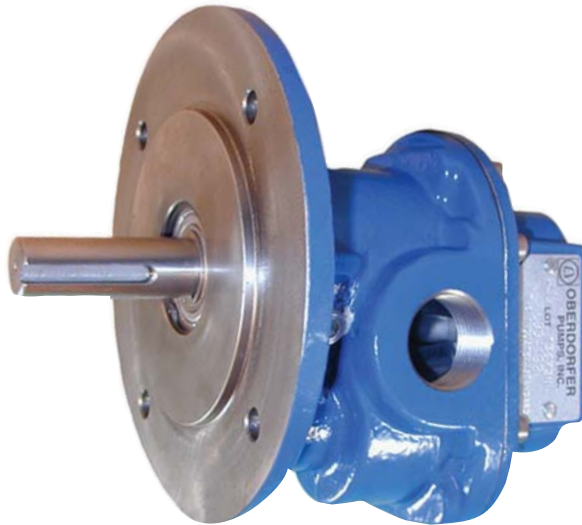


DUCTILE IRON CLOSE COUPLED ROTARY GEAR PUMPS

MODEL C9941B2 - 3/4" PORTS



FEATURES

- Ductile iron construction with hardened steel shafts
- Stainless helical gears for quiet operation
- Two lip seals for added leak protection
- Self lubricating carbon bearings
- O-ring seal for maximum leak protection
- Durable temperature-resistant paint finish
- Easy field assembly to C-face motors
- Compact dimensions

GENERAL DESCRIPTION

Tailored specifically for wear resistance and long life in waste cooking oil transfer/reclamation service. They are designed to handle oil at elevated temperatures to 400 °F, at pressures up to 50 psi, and at shaft speeds to 1750 RPM while tolerating warm water flush cycles. Shafts are hardened steel. Gears are 416 stainless steel. Rugged ductile iron housings incorporate body/gear lubrication grooves. High grade carbon-graphite bearings are used. The compact dimensions allow drop-in replacement for HYPRO - NG11 pumps.

DRIVE ARRANGEMENT

These close-coupled pumps mount directly to a full range of NEMA and IEC C-face motors by means of a suitable adapter bracket. The pump drive shaft is connected to the motor shaft by a flexible coupling. Complete pump and motor units are available.

SEAL

Superior to mechanical seal designs that cannot tolerate occasional particles. Two independently mounted fluorocarbon lip seals are separated by an intermediate chamber. The chamber is filled with food grade grease to lubricate the outboard seal. Pumps are conveniently supplied with a grease fitting (an optional grease cup is available) to allow the addition of lubricant to the chamber during operation.

PERFORMANCE

Water 70° F

1725 RPM					Pump, Adapter & ODP Motor* No.	
PSI	GPM	HP Req'd	HP Motor	Motor Frame	Single Phase	Three Phase
0	10.5	0.5	1/2	56C	C9941B2H-J45	C9941B2H-J95
10	10.4	0.63	3/4	56C	C9941B2H-M37R	C9941B2H-M95
20	10.3	0.75	3/4	56C	C9941B2H-M37R	C9941B2H-M95
30	10.2	0.83	1	56C	C9941B2H-N26	C9941B2H-N95
40	10.1	0.90	1	56C	C9941B2H-N26	C9941B2H-N95
50	10.0	1.00	1 1/2	145TC	C9941B2J-T45	C9941B2J-T95

1150 RPM					Pump, Adapter & TEFC Motor* No.	
PSI	GPM	HP Req'd	HP Motor	Motor Frame	Single Phase	Three Phase
0	6.8	0.24	1/2	56C	C9941B2H-J46	C9941B2H-J96
10	6.7	0.27	1/2	56C	C9941B2H-J46	C9941B2H-J96
20	6.6	0.29	1/2	56C	C9941B2H-J46	C9941B2H-J96
30	6.5	0.36	1/2	56C	C9941B2H-J46	C9941B2H-J96
40	6.4	0.43	1/2	56C	C9941B2H-J46	C9941B2H-J96
50	6.3	0.50	3/4	56C	C9941B2H-M46	C9941B2H-M96

* TEFC motors available

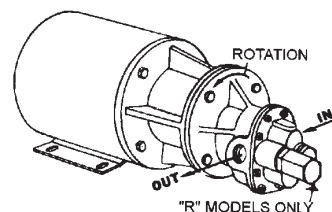
SUCTION LIFT

These positive displacement external gear pumps will generate 23" HG lift, a feature found to be essential for years of successful cycling. As a general rule, place the pump as close to the liquid source as possible. For a first start-up, the pump should be primed to avoid dry running. Minimum size of the suction pipe is the size of the pump inlet port. For longer suction lines (over 3 feet), the pipe size should be at least one size or two sizes larger than the pump inlet port.

ROTATION AND RELIEF VALVE

Given the body/gear face lubrication slots, these pumps are unidirectional. The standard pump is set up for normal rotation (clockwise when viewing the pump from the shaft end). Contact the factory if opposite rotation is required.

C994R1B2 is equipped with an integrated relief valve set up for internal bypassing. This relief valve is not intended to be a metering or flow control device. Its purpose is to function as a discharge pressure relief to guard against intermittent down stream system restrictions. Overheating can occur within 5 to 10 minutes if the discharge line is completely shut off. The relief valve is located on the discharge side of the pump. The pressure relief setting is not set at the factory. To increase pressure, turn the relief valve adjusting screw in a clockwise direction.

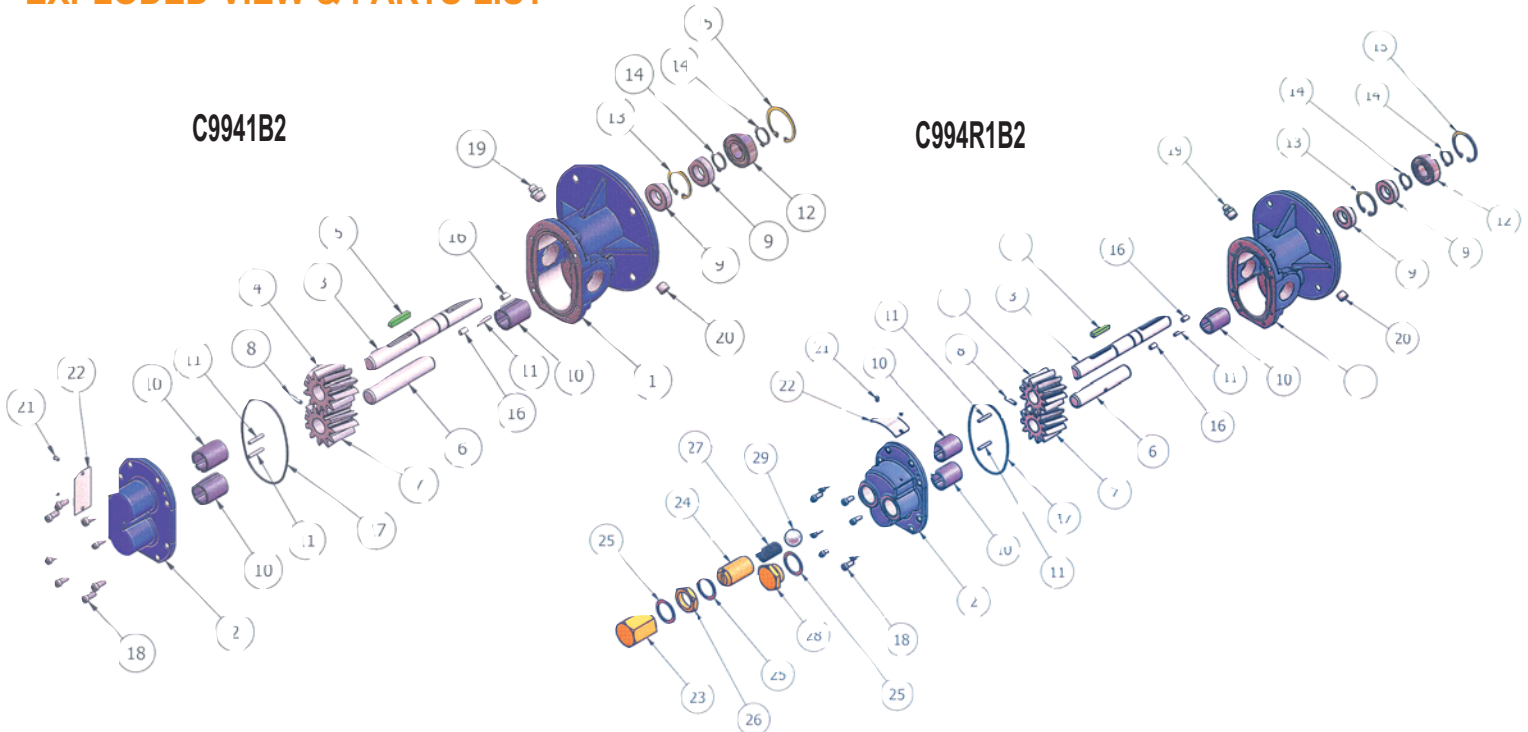


WARNING: This pump is not NSF certified and not intended for sanitary filtration service.

MODEL
C9941B2
C994R1B2

DUCTILE IRON CLOSE COUPLED ROTARY GEAR PUMPS

EXPLODED VIEW & PARTS LIST

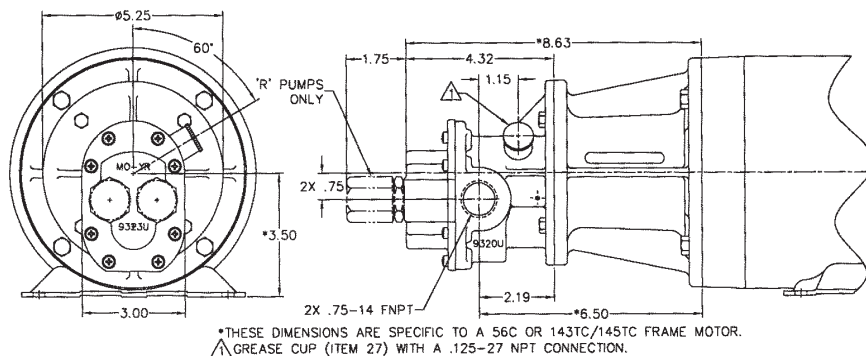


	23	24	25	26	27	28	29	1	2	3	6,7,8	4	9	10	11
	Bypass Nut	Adjust. Screw	Fiber Washer	Locknut	Spring	Plugnut	Ball	Body	Cover	Drive Shaft	Idle Gear Assy.	Drive Gear	Lip Seal	Bearing Carbon	Bearing Pin
Pump No.	Qty. 1	Qty. 1	Qty. 3	Qty. 1	Qty. 1	Qty. 1	Qty. 1	Qty. 1	Qty. 1	Qty. 1	Qty. 1	Qty. 1	Qty. 2	Qty. 3	Qty. 3
C9941B2	N/A	N/A	N/A	N/A	N/A	N/A	N/A	9320UEZN	9322UN5N	2785	33181	2888	9354-03	2688	2687
C994R1B2	5204	5200	2692	5209	5207	5205	5206	9320UEZN	9323UN5B	2785	33181	2888	9354-03	2688	2687

	12	14	15	13	5	18	16	22	21	20	19	17	28
	Bearing Ball	Ret. Ring	Ret. Ring	Ret. Ring	Key	Screw	Dowel Pin	Tag	Stick Screw	Pipe Plug	Grease Fitting	O-Ring	Adapter Kits
Pump No.	Qty. 1	Qty. 2	Qty. 1	Qty. 1	Qty. 1	Qty. 8	Qty. 2	Qty. 1	Qty. 2	Qty. 1	Qty. 1	Qty. 1	
C9941B2	2461	5382	5464	7557	6567	5385	8885	9344	9345	2052	5390	9797-041	See Chart
C994R1B2	2461	5382	5464	7557	6567	5385	8885	9344	9345	2052	5390	9797-041	

Repair Kit, part Number 12211, contains items 10-20 & 27.
*Grease cartridges (Part No. 2001) are available.

DIMENSIONS



Adapter Kit	Part Number	Description
H	11299C	56C Frame
J	11300C	143TC/145TC
G	11380	IEC 71
T	11386	IEC 80