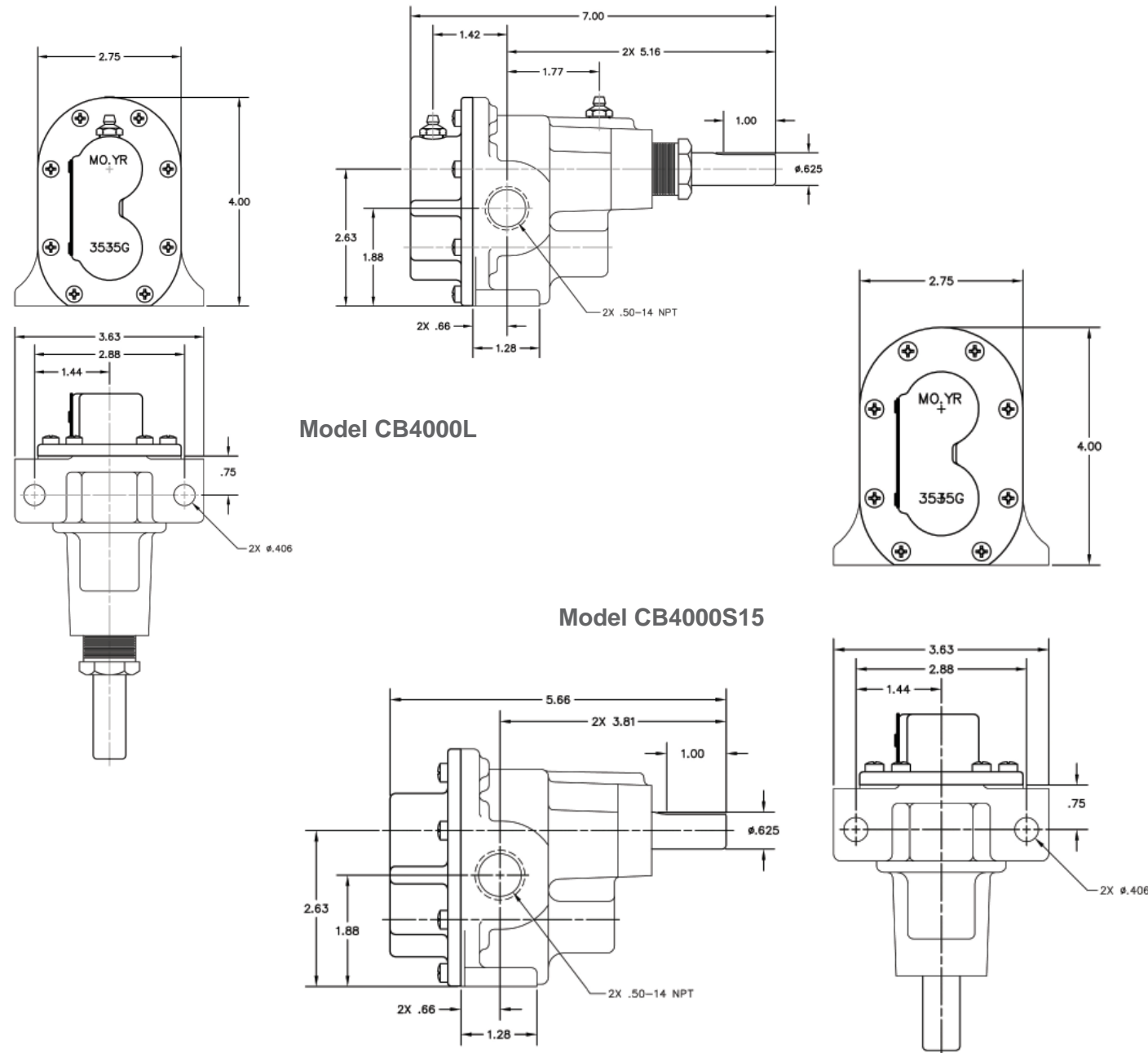
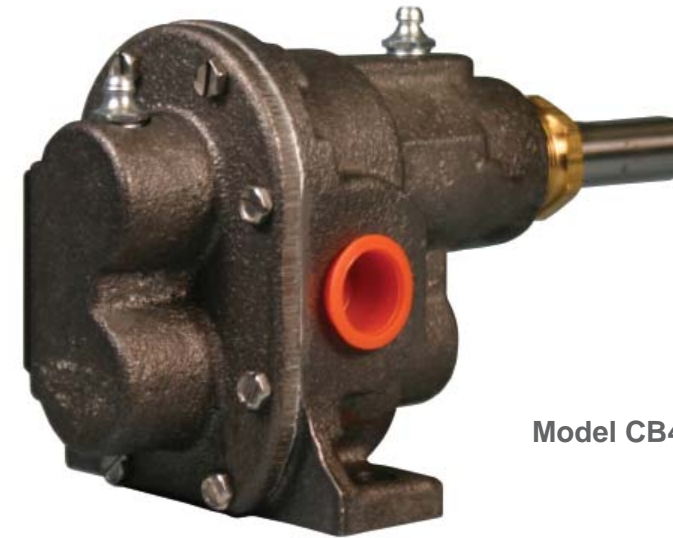


Dimensions



Ports: 1/2" FNPT



Model CB4000L



Model CB4000S15

FEATURES:

- Flows to 12.3 GPM
- Max. RPM: 1725
- Max. PSI: 100
- Suction lift to 12.3 ft.*
- Maximum viscosity to 100,000 SSU at reduced speed (max. input torque of 90 in.-lbs.)
- Housing gasket: Vellomoid
- Construction: Cast Iron housing, Steel gears, Steel shafts
- Shaft Seals: Synthetic Braided compression packing with Teflon® dispersion or Viton® Lip Seal
- Shaft Bearing Journals: Cast Iron (Grease lubricated for CB4000L)
- Temperature range: -20 to 300° F
- Maximum working pressure: 130 PSI
- Pumps can operate bidirectionally (reversible)

DESCRIPTION:

Drop in replacement for models C4K and C4V. Can also be considered as replacements for models 4KHK4 and 4KHJ7. These self-priming, positive displacement, external rotary gear pedestal pumps are ideal for oil based fluids in a wide range of light-duty commercial, industrial, marine, and agricultural applications.

Uses: For use with particulate free and non-abrasive high lubricating oil-based fluids compatible with iron and steel. Not to be used with water-based fluids. Line mounted pressure relief valves are recommended to protect downstream equipment.

* Suction lift for packing seal model C4000L may be reduced based on packing tightness or viscosity; requires wetted gears and primed pump condition

* VITON® is a trademark of DuPont Dow Elastomers. VITON® or equivalent FKM may be used. Teflon® is a registered trademark of DuPont. Teflon® or equivalent PTFE will be used.

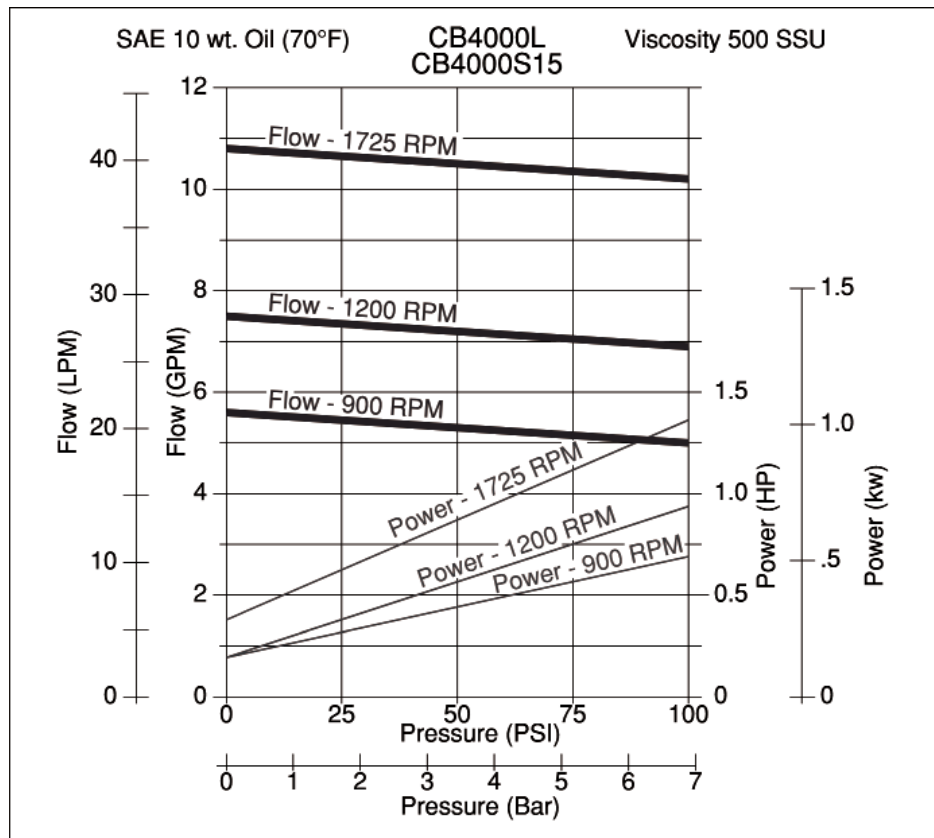
Cast Iron Light Duty Pedestal Rotary External Gear Pumps

CB4000L • CB4000S15

MOUNTING AND DRIVE ARRANGEMENT:

Pumps should be mounted on a rigid base and properly aligned with the motor. Direct drive via flexible shaft coupling is the preferred method. When a belt drive is needed, additional support is necessary to absorb the added pulley load (See N4000L for details). Bedplate accessories kits are available.

PERFORMANCE:



WARNING: Do not use to pump flammable or explosive fluids such as gasoline, fuel oil, kerosene, etc. Do not use in flammable and/or explosive atmospheres.

	1	2	3*	4*	5*	6	7	8	9*	10	11	12	Repair Kit
	Body	Cover	Drive Gear Assy	Idle Gear Assy	Gasket	Screw	Grease Fitting	Dowel Pin	Packing	Packnut	Tag	Stick Screw	
Model	Qty. 1	Qty. 1	Qty. 1	Qty. 1	Qty. 1	Qty. 8	Qty. 2	Qty. 2	Qty. 2	Qty. 1	Qty. 1	Qty. 2	
CB4000L	3534GD1N-1	3535GN5N-1	33400	33399	3541	8907	5390-02	8885	5479	1762	9344	9345	TBA

	1	2	3*	4*	5*	6	7	8	9*	10	11	Repair Kit
	Body	Cover	Drive Gear Assy	Idle Gear Assy	Gasket	Screw	Dowel Pin	Lip Seal	Lock Ring	Tag	Stick Screw	
Model	Qty. 1	Qty. 1	Qty. 1	Qty. 1	Qty. 1	Qty. 8	Qty. 2	Qty. 1	Qty. 1	Qty. 1	Qty. 2	
CB4000S15	3534GD2N-1	3535GN5N-2	33398	33399	3541	8907	8885	9997	3033	9344	9345	TBA

* Repair kit contains these items.

Exploded View, and Parts List

