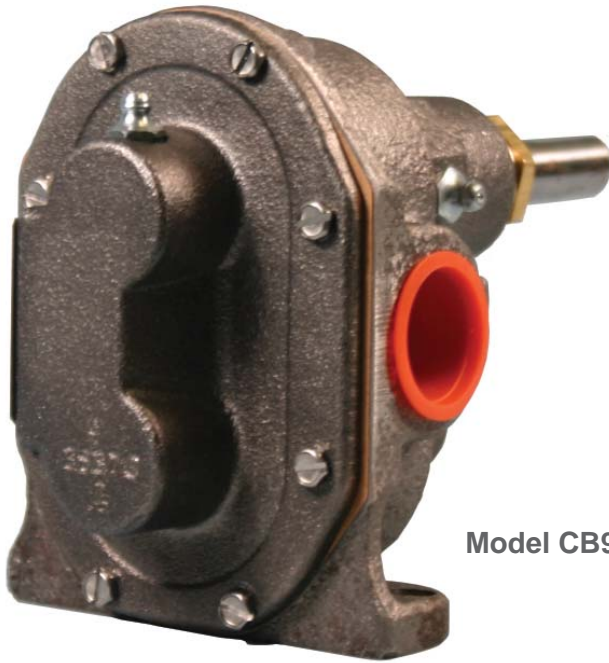




### Ports: 1" FNPT



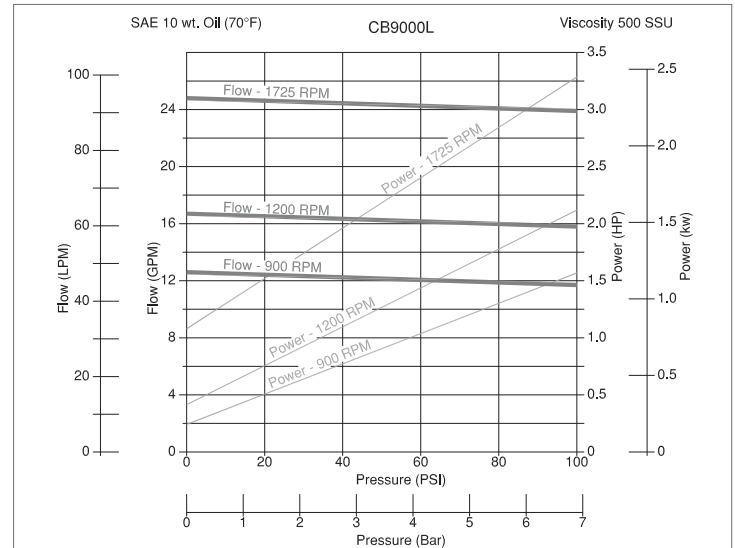
Model CB9000L

#### FEATURES:

- Flows to 24.8 GPM
- Max. RPM: 1725
- Max. PSI: 100
- Suction lift to 19.5 ft.\*
- Maximum viscosity to 100,000 SSU at reduced speed (max. input torque of 160 in.-lbs.)
- Housing gasket: Vellomoid
- Construction: Cast Iron housing, Steel gears, Steel shafts
- Shaft Seals: Synthetic Braided compression packing with Teflon® dispersion
- Shaft Bearing Journals: Grease lubricated Cast Iron
- Temperature range: -20 to 210° F
- Maximum working pressure: 130 PSI
- Pumps can operate bidirectionally (reversible)

\* Suction lift for packing seal model C4000L may be reduced based on packing tightness or viscosity; requires wetted gears and primed pump condition

#### PERFORMANCE:



#### DESCRIPTION:

Drop in replacement for models C4K and C4V. Can also be considered as replacements for models 4KHK4 and 4KHJ7. These self-priming, positive displacement, external rotary gear pedestal pumps are ideal for oil based fluids in a wide range of light-duty commercial, industrial, marine, and agricultural applications.

Uses: For use with particulate free and non-abrasive high lubricating oil-based fluids compatible with iron and steel. Not to be used with water-based fluids. Line mounted pressure relief valves are recommended to protect downstream equipment.

#### MOUNTING AND DRIVE ARRANGEMENT:

Pumps should be mounted on a rigid base and properly aligned with the motor. Direct drive via flexible shaft coupling is the preferred method. When a belt drive is needed, additional support is necessary to absorb the added pulley load (See N4000L for details). Bedplate accessories kids are available.

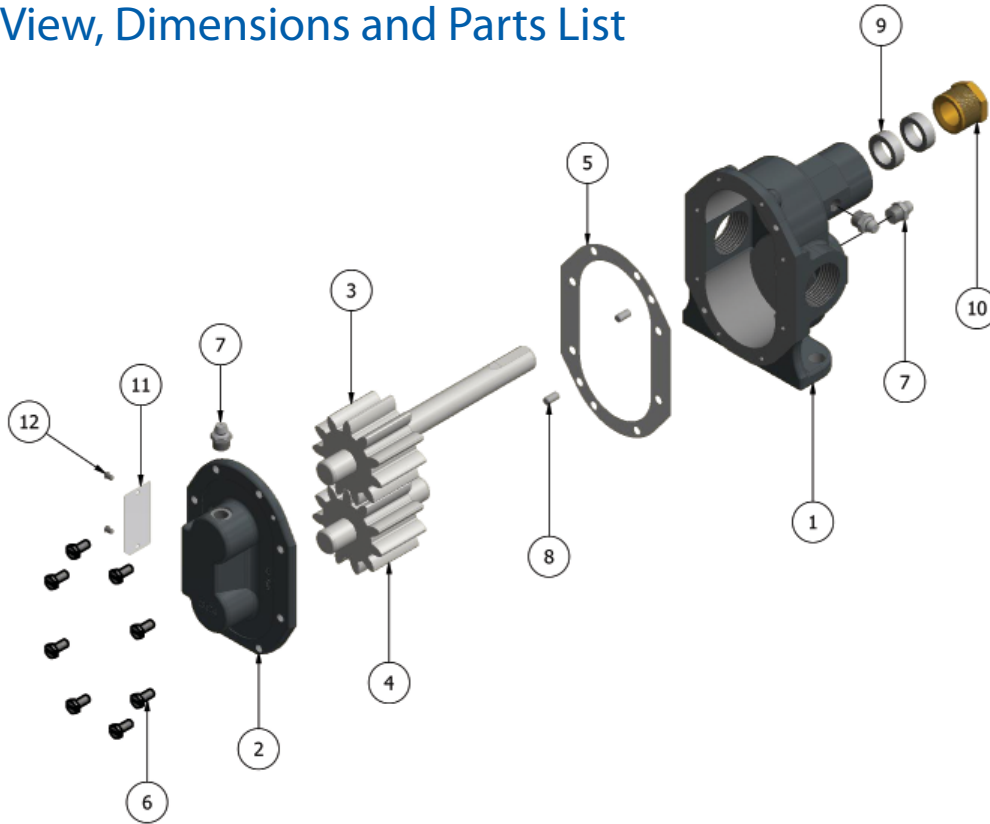
WARNING: Do not use to pump flammable or explosive fluids such as gasoline, fuel oil, kerosene, etc. Do not use in flammable and/or explosive atmospheres.

\* VITON® is a trademark of DuPont Dow Elastomers. VITON® or equivalent FKM may be used. Teflon® is a registered trademark of DuPont. Teflon® or equivalent PTFE will be used.

# Cast Iron Light Duty Pedestal Rotary External Gear Pumps

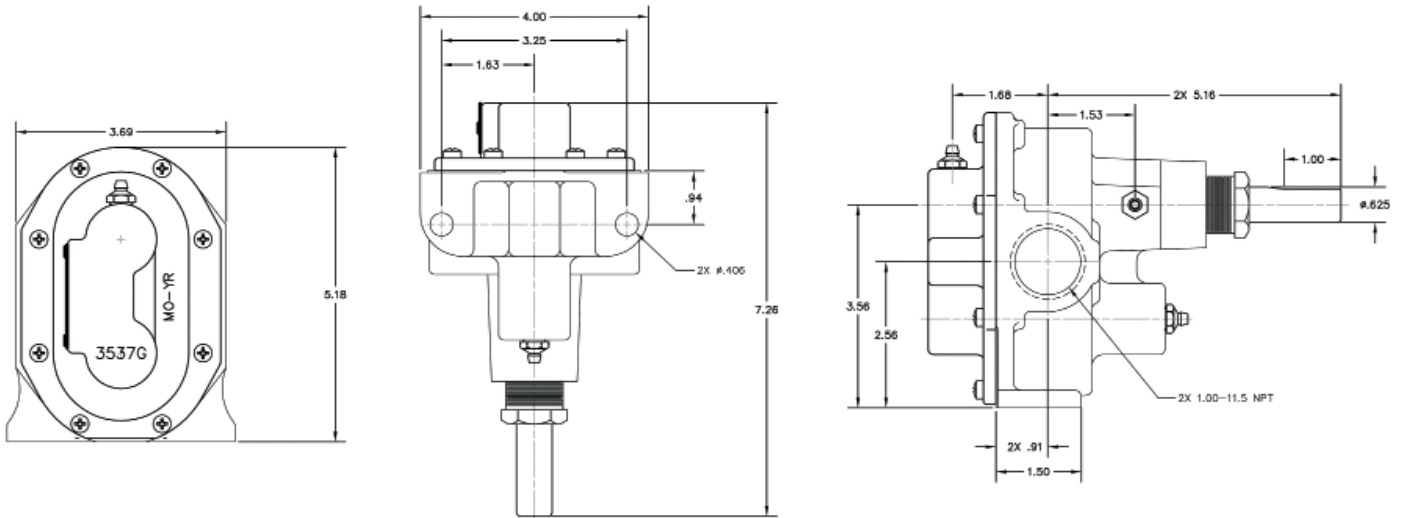
CB9000L

## Exploded View, Dimensions and Parts List



	1	2	3*	4*	5*	6	7	8*	9*	10	11	12	Repair Kit
	Body	Cover	Drive Gear Assy	Idle Gear Assy	Gasket	Screw	Grease Fitting	Dowel Pin	Packing	Packnut	Tag	Stick Screw	
Model	Qty. 1	Qty. 1	Qty. 1	Qty. 1	Qty. 1	Qty. 8	Qty. 2	Qty. 2	Qty. 2	Qty. 1	Qty. 1	Qty. 2	
CB9000L	3536GF1N-1	3537GN5N-1	33401	33402	3542	8907	5390-02	8885	5479	1762	9344	9345	TBA

\* Repair kit contains these items.



**OBERDORFER PUMPS**

*A Gardner Denver Product*

5900 Firestone Drive, Syracuse, NY 13206

Phone: (800) 448-1668; (315) 437-0361 • Fax: (315) 463-9561

Visit [www.oberdorfer-pumps.com](http://www.oberdorfer-pumps.com) to find in-depth descriptions of the world's leading high-quality, dependable pumps.

Due to ongoing product improvements, data shown here is subject to change without notice. Contact Oberdorfer Pumps for latest specifications.

CB9000L.070113