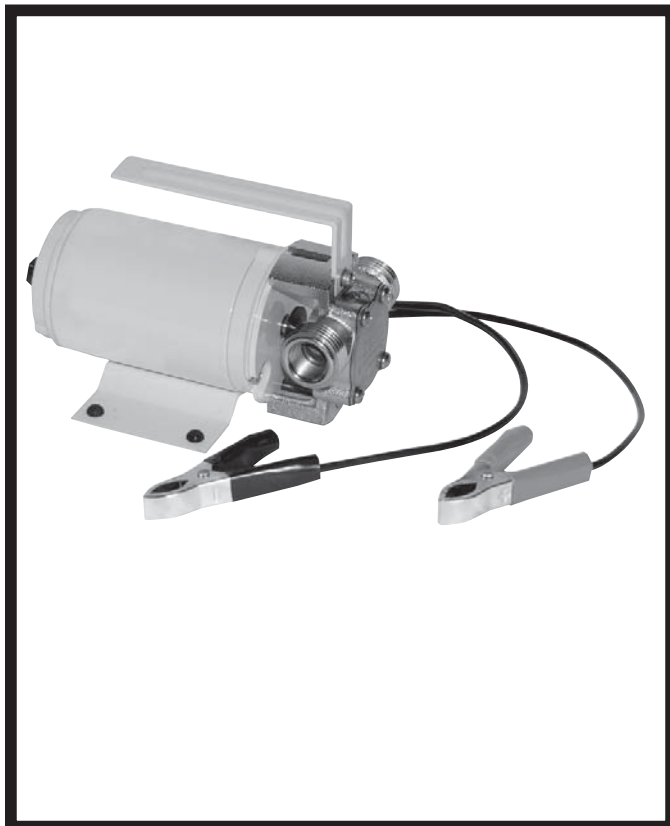




PONY PUMP



Features

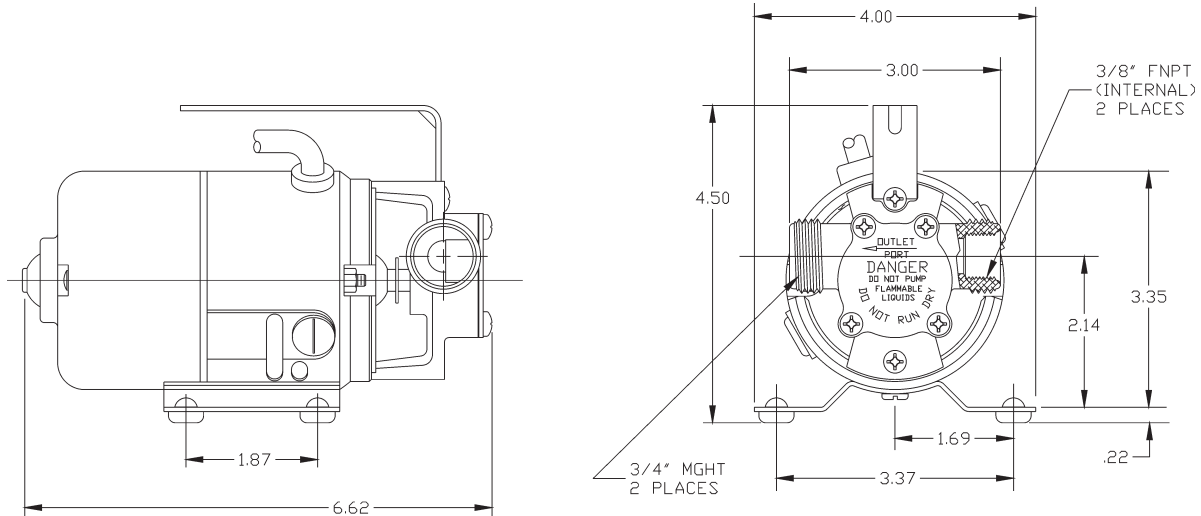
- Lifts liquid from 7' below and will pump it up to 48' high
- Rigid stainless steel handle
- Self-priming
- 6' cord with grounded plug
- Thermally protected motor (12 VDC)
- Two extra replacement impellers included

Construction

- Volute — Nickel plated brass
- Impeller — BUNA-N
- Housing — Nickel plated brass
- Cover — Stainless steel
- Shaft Seal — BUNA-N (Viton – 370/375 only)
- Discharge — Garden hose hookup or 3/8" FNPT for pipe
- Cam — Stainless steel

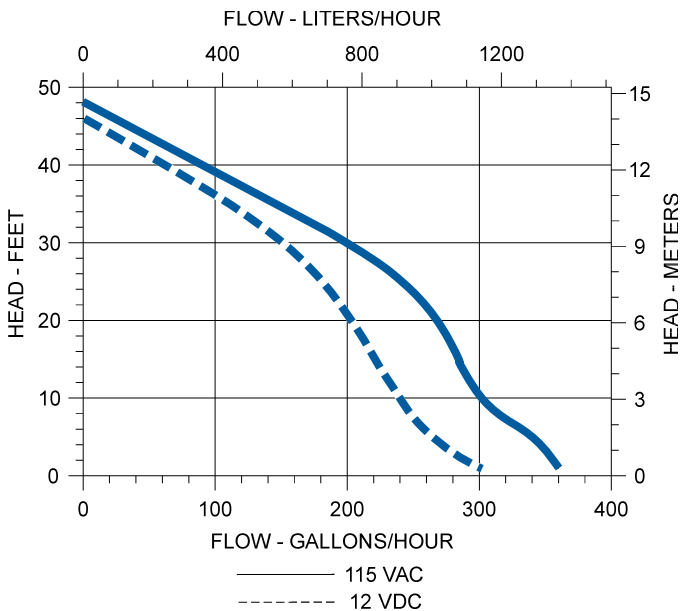
These lightweight, portable pumps, with self-priming, siphon-like action, can be used to empty waterbeds, drain water heaters or aquariums, pump out a basement, transfer water to an RV, pump boat bilges, pump out stock tanks, and in just about any other application where water needs to be transferred. Sets include two 6' (2m) hoses, strainer and carrying handle. Alligator clips and 7' of two-conductor cable in 12V DC kit only. Pump inlets and outlet are dual-threaded 3/8" FNPT and 3/4" garden hose thread. Intermittent duty is 15 minutes on, 45 minutes off.

PONY PUMP



Specifications

Model No.	Item No.	Listings	Discharge Size	Volts	Amps	Performance (GPH @ Head)					Shut Off		Pwr. Cord (ft.)	Weight (lbs.)
						1'	5'	10'	20'	30'	Feet	PSI		
360	555502	cULus	3/4" MGHT/3/8" FNPT	115VAC	1.6	360	342	300	270	198	48.3	20.9	6	5.25
361	555504	cULus	3/4" MGHT/3/8" FNPT	115VAC	1.6	360	342	300	270	198	48.3	20.9	6	8.75
370	555507	cULus	3/4" MGHT/3/8" FNPT	115VAC	1.4	360	342	300	270	198	48.3	20.9	6	5.25
365	555602	N/A	3/4" MGHT/3/8" FNPT	12VDC	7.0	300	258	240	202	150	46.0	19.9	1	3.75
366	555606	N/A	3/4" MGHT/3/8" FNPT	12VDC	7.0	300	258	240	202	150	46.0	19.9	7	7.00
375	555608	N/A	3/4" MGHT/3/8" FNPT	12VDC	7.0	300	258	240	202	150	46.0	19.9	1	3.75
360002	555501		3/4" MGHT/3/8" FNPT	Pump head less motor										



ONY PUMP MODEL 360, 365, 370 MODÈLE 360, 365, 370 MODELO 360, 365, 370

EN INTRODUCTION

This instruction sheet provides you with information required to safely own and operate your Little Giant pump. It primarily covers the standard models of each pump series. The form is applicable to other models in the series not listed by catalog number in the replacement parts list section of the instruction sheet. If the catalog number of your pump is not listed in the replacement parts list section, then caution should be exercised when ordering replacement parts. Always give the catalog number of your pump when ordering replacement parts.

The Little Giant unit you have purchased is of the highest quality workmanship and material. It has been engineered to give you long and trouble-free service. The Little Giant pumps are carefully packaged, inspected and tested to insure safe operation and delivery. When you receive your pump, examine it carefully to determine that there are no broken or damaged parts that may have occurred during shipment. If damage has occurred, make notation and notify the firm that you purchased the pump from. They will assist you in replacement or repair, if required.

READ INSTRUCTIONS CAREFULLY BEFORE ATTEMPTING TO INSTALL, OPERATE OR SERVICE THE LITTLE GIANT PUMP. KNOW THE PUMP APPLICATION, LIMITATIONS, AND POTENTIAL HAZARDS. PROTECT YOURSELF AND OTHERS BY OBSERVING ALL SAFETY INFORMATION. FAILURE TO COMPLY WITH INSTRUCTIONS COULD RESULT IN PERSONAL INJURY AND/OR PROPERTY DAMAGE! RETAIN INSTRUCTIONS FOR FUTURE REFERENCE.

DESCRIPTION

Your Little Giant pump is designed for general, commercial and industrial applications. It is designed for water, but is not submersible. It can be used to transfer liquids, and to empty or fill tanks, sinks or bowls. The pump can be used to pump bilge water, but the pump must not be located in the bilge area. It is self-priming to 7 ft. if the impeller is initially wet (primed). A carrying handle is included.

NOTE: Unit is NOT RECOMMENDED for use with soap detergents, gasoline, waste oil, fuel oil, flammable, explosive or combustible liquids or other fluids not compatible with pump component materials. Do not use unit in enclosed areas. Intermittent duty only (15 minutes per hour).

SPECIFICATIONS

PUMP MODEL	360/370	365
Power Supply Volts	115V	12V
Power Supply Amps	2A	10A
Power Supply Hz (DC=12VDC battery)	60	DC
Fuse	2A	7A
Max Fluid Temperature (°F)	140	140
Minimum Fluid Temperature (°F)	40	40
Thermal Protection (A=Autoreset)	A	A
Motor Max Current Rating (Amps)	1.6	7.0
Duty Cycle (I=Intermittent) 15 min/hr	I	I

SAFETY GUIDELINES



WARNING: Do not use to pump flammable or explosive fluids such as gasoline, fuel oil, kerosene, etc. Do not use in flammable and/or explosive atmospheres. Pump should only be used with liquids compatible with pump component materials. Failure to follow this warning can result in personal injury and/or property damage.

1. Know the pump application, limitations, and potential hazards.
2. **WARNING:** Do not handle a pump or pump motor with wet hands or when standing on a wet or damp surface, or in water.
3. The pump is not submersible and is intended for open-air use only.
4. Disconnect power before servicing a motor or its load. If the power disconnect is out-of-sight, lock it in the open position and tag it to prevent unexpected application of power.
5. Release all pressure within the system before servicing any component.
6. Drain all liquids from the system before servicing.
7. The pump motor is equipped with an automatic resetting thermal protector and may restart unexpectedly. Protector tripping is an indication of motor overloading as a result of operating the pump at low heads (low discharge restriction), excessively high or low voltage, inadequate wiring, pumping too hot a liquid, incorrect motor connections, or a defective motor or pump. Read troubleshooting chart.
8. Do not touch an operating motor. Modern motors are designed to operate at high temperatures.

9. Provide adequate protection and guarding around moving parts. Secure the discharge line before starting the pump. An unsecured discharge line will whip, possibly causing personal injury and/or property damage.
10. Check hoses for weak or worn condition before each use, making certain that all connections are secure.
11. Periodically inspect pump and system components. Perform routine maintenance as required (see SERVICE INSTRUCTIONS).
12. Provide a means of pressure relief for pumps whose discharge line can be shut-off or obstructed.
13. **PERSONAL SAFETY:** Wear safety glasses at all times when working with pumps.
14. Do not add acid or electrolyte to a battery being used – add only water. Consult the battery manufacturer for any additional safety instructions.

ELECTRICAL CONNECTIONS



1. Make certain that power source conforms to the requirements of your equipment.
2. When wiring an electrically driven pump, follow all electrical and safety codes, as well as the most recent National Electrical Code (NEC) and the Occupational Safety and Health Act (OSHA) in the United States.
3. Model 360 and 370 are only for use on 115 volt (single-phase) and is equipped with an approved 3-conductor cord and 3-prong, grounding-type plug. Model 365 is for 12VDC.
4. To reduce the risk of electric shock, models 360 & 370 should be plugged directly into a properly installed and grounded 3-prong grounding-type receptacle. The green (or green and yellow) conductor in the cord is the grounding wire. The motor must be securely and adequately grounded for your protection against shock hazards! Never connect the green (or green and yellow) wire to a live terminal! SEE SECTIONS 10, 11 & 12 FOR MODEL 365.
5. Where a 2-prong wall receptacle is encountered, it must be replaced with a properly grounded 3-prong receptacle installed in accordance with the National Electrical Code and local codes and ordinances.
6. To ensure a proper ground, the grounding means must be tested by a qualified electrician. Use only 3-wire extension cords that have 3-prong, grounding-type plugs and receptacles that accept the equipment plug.
7. All wiring should be performed by a qualified electrician.
8. Protect electrical cord from sharp objects, hot surfaces, oil and chemicals. Avoid kinking the cord. Replace or repair damaged or worn cords immediately.
9. When using an extension cord make sure wire is of adequate size to minimize voltage drop at the motor. For models 360 & 370, 16 AWG is OK up to 40'.

Distance From Power Source To 365	Recommended Wire Size
1 - 12 Ft.	#14
13 - 24 Ft.	#12
25 - 36 Ft.	#10

For Model 365

10. The model 365 pump is not equipped with an inline fuse. Because of the wide variety of applications and mounting situations, an inline fuse has not been permanently installed. In order to provide adequate protection for the motor, an inline fuse and fuse holder **MUST** be installed. The model 365 pump warranty does not cover motor damage caused by over heating. For maximum protection, a fuse of 7 amps is suggested. Fuses and fuse holders are readily available in most hardware, auto and home improvement stores.
11. **GENERAL CONNECTION INFORMATION** to a 12VDC battery.
 - a. Connect POSITIVE or PLUS (+) lead from the pump to battery first. POSITIVE lead of pump is red.
 - b. If pump is to be connected to battery that is installed in a vehicle, connect NEGATIVE or MINUS (-) lead to a ground away from the battery, such as the metal of the vehicle or the negative wiring terminal strip or other negative common point of the battery (away from the battery), if so equipped. Always connect NEGATIVE (-) lead last. NEGATIVE (-) lead of pump is black.
 - c. When DISCONNECTING — Disconnect NEGATIVE (-) lead from the grounded location first. Then disconnect the POSITIVE (+) lead from the battery.
12. When attaching pump leads to battery terminals, be sure that the area (bilge of a boat, for instance) is adequately ventilated to prevent an explosion or fire from explosive or flammable vapors that may be present.
 - a. Batteries emit hydrogen gas that is explosive. Avoid smoking, sparks or open flame anywhere in the vicinity of the battery.
 - b. EXPLOSION from battery can cause blindness. Shield eyes when working near any battery.
 - c. Batteries contain sulfuric acid. In case of contact with eyes, skin or clothing **FLUSH IMMEDIATELY WITH LARGE AMOUNTS OF WATER; GET MEDICAL ATTENTION.**

INSTALLATION

WARNING: In any installations where property damage and/or personal injury might result from an inoperative or leaking pump due to power outages, discharge line blockage, or any other reason, a backup system(s) should be used. In order to safely use this product, familiarize yourself with this pump and also with the liquid (chemical, etc.) that is going to be pumped through the unit. This pump is not suitable for many liquids.

1. Pump should be placed as close to source of liquid and power as possible, not more than 7' above liquid source and not more than 25' from power source.
2. Use reinforced plastic or fabric tubing or metal pipe for the suction side of the pump. This will prevent collapse of the suction piping. Discharge piping should never be larger than suction piping!
3. Attach suction line piping to the suction inlet and discharge line piping to the discharge outlet.
4. Avoid using looped sections of pipe that might permit air to become entrapped.
5. Piping should be checked for any leaks at the connections. Small leaks in suction line greatly reduce efficiency of pump and may prevent priming. Pump should be permanently mounted; never operate a pump unless it is secured to a solid foundation.
6. Do not operate pump dry. Impeller and mechanical seal damage will result.
7. Protect pump from extreme heat, cold, and humidity. This unit is not waterproof and is not intended to be used in showers, saunas, or other potentially wet locations.
8. The motor is designed to be used in a clean, dry location with access to an adequate supply of cooling air. Ambient temperature around the motor should not exceed 104°F (40°C). For outdoor installations, motor must be protected by a cover that does not block airflow to and around the motor. This unit is not weatherproof, nor is it able to be submerged in water or any other liquid. Do not use in or near swimming pool or spa.
9. Install a foot valve and prime pump when suction lift is over 6' or when suction line is longer than 6'.
10. It is strongly recommended that this unit be plugged into a GFCI (Ground Fault Circuit Interrupter). Consult your local electrician for installation and availability.
11. When used in a boat, pump should not be installed in the bilge.

WARNING: Disconnect battery when making adjustments and repairs. First, remove the battery NEGATIVE (-) ground cable, then lastly the battery POSITIVE (+) cable.

OPERATION



1. Pumps are self-priming and should prime themselves within 30 seconds after pump is started. Wetting impeller with pumped fluid and keeping the impeller coated with petroleum jelly will lengthen its life and improve priming action. Running the impeller dry for as short as 30 seconds can ruin the impeller. Keep suction line as short as possible.

NOTE: An easy way to prime the pump (wet impeller), if using a garden hose, is to fill the discharge hose; elevate the discharge hose slightly to retain water and start the pump. Another method would be to disconnect the discharge hose from the pump, making a U-bend of the discharge hose. Fill the hose then reconnect (without losing the water) to the pump. In both cases the water behind the impeller will seal the pump and it will prime almost immediately.

2. Unit can be turned on and off by plugging & unplugging cord into 115V outlet.
3. Do not run at heads greater than 25' (11psig).
4. Pump equipped with a 12-Volt DC motor:
 - a. To operate, the motor must be connected to a 12-volt battery in good condition, such as the type used in cars, trucks, boats, etc. Motor will run in either direction. Therefore, connect the red wire to the POSITIVE (+) terminal of the battery, the black wire to the NEGATIVE (-) terminal of the battery to have the flow correspond with the arrow on the cover plate. By reversing the wires to the battery, the pump will discharge from the opposite port.
 - b. Low voltage may cause critical overheating and premature failures. To avoid this, be sure battery voltage is maintained and observe recommended wire size during installation. The motor is splash proof, but not waterproof. DO NOT SUBMERGE.

CAUTION: Because unit is thermally protected, it is designed to shut off temporarily in an over heat condition; therefore, pumping extremely hot liquids is not recommended. Also, to protect the impeller from breakage, do not pump liquids with a temperature less than 40°F. DO NOT TOUCH MOTOR, IT MAY BECOME VERY HOT.

WARNING: Do not submerge pump or motor in water.

SERVICE INSTRUCTIONS



1. **CAUTION:** Disconnect from power source when making adjustments and repairs. On DC (direct current) versions, first disconnect the black negative (-) lead wire, and then lastly disconnect the red positive (+) lead wire.

2. Always drain pump when not in use.
3. If pump is not going to be used for a month or longer, flush with fresh water and remove body cover, take impeller out, clean inside body and apply generous coating of Vaseline, to both inside body and impeller before replacing impeller in body.
4. Pump should be checked daily, weekly, monthly, etc., for proper operation. If anything has changed since unit was new, unit should be removed and repaired or replaced. Only qualified electricians or servicemen should attempt to repair this unit. Improper repair and/or assembly can cause an electrical shock hazard.
5. **TO REPLACE IMPELLER:** Replace impeller when it has become worn or damaged.
 - a. Remove cover plate mounting screws.
 - b. Remove cover plate and cover plate gasket.
 - c. Slide damaged or worn impeller off motor shaft.
 - d. Clean the inside of the pump head and the cover gasket sealing surface. Make certain that there are no foreign materials that would obstruct the impeller's operation.
 - e. Apply petroleum jelly or similar lubricant to the inside of the pump head and the outside diameter of the impeller.
 - f. Align the flat on the inside of the impeller shaft bore with the flat on the motor shaft. Push the impeller into place, while twisting the impeller vanes in a clockwise rotation.
 - g. Place new gasket on pump head face, align holes and replace cover.
 - h. Tighten cover plate mounting screws evenly and snugly.

FR INTRODUCTION

Elle concerne en particulier les modèles standard de chaque série ainsi que les modèles des séries non listées par numéro de catalogue sur la liste des pièces de rechange. Si le numéro de catalogue de la pompe achetée ne fait pas partie de la liste des pièces de rechange, certaines précautions seront à prendre lors des commandes de pièces de rechange. Ne pas oublier d'indiquer le numéro du catalogue sur le bon de commande.

La qualité d'exécution et les matériaux du modèle Little Giant acheté sont parfaits. Cette pompe a été conçue pour fonctionner sans problèmes, de façon durable. Les pompes Little Giant ont été emballées et testées avec soin pour procurer à l'acquéreur un fonctionnement et un rendement sûrs. A la réception, veiller à examiner attentivement la pompe afin de s'assurer qu'aucune pièce n'a été endommagée pendant le transport. Si tel n'est pas le cas, prendre note des dommages et aviser le distributeur chez qui la pompe a été achetée afin de la faire réparer ou d'obtenir son remplacement.

LIRE ATTENTIVEMENT LE MODE D'EMPLOI AVANT L'INSTALLATION, L'UTILISATION OU L'ENTRETIEN DE LA POMPE Little Giant. PRENDRE ATTENTIVEMENT CONNAISSANCE DES POSSIBILITES D'UTILISATION, DES RESTRICTIONS ET DES DANGERS S'Y RATTACHANT. ASSURER SA PROPRE PROTECTION ET CELLES DES AUTRES EN OBSERVANT TOUTES LES DIRECTIVES DE SECURITE. LE NON-RESPECT DE CES DIRECTIVES POURRAIT ETRE LA CAUSE DE BLESSURES OU DE DOMMAGES MATERIELS. CONSERVER LE MODE D'EMPLOI POUR UN USAGE ULTERIEUR.

DESCRIPTION

La pompe marine polyvalente Little Giant a été conçue pour un usage commercial et industriel. L'unité a été mise au point afin de fonctionner avec de l'eau mais n'est pas submersible. Elle sert à transférer des liquides, à vider ou à remplir des réservoirs, des éviers ou des lavabos, etc. La pompe peut être utilisée pour enlever l'eau de bouchain, mais la pompe ne doit pas être localisée dans le domaine de bouchain. La pompe s'auto-amorce à 2,1 mètres si la roue à été mouillée au préalable (amorcée). La pompe marine est une pompe à service intermittent. La poignée de transport est fournie avec la pompe.

REMARQUE : Il n'est PAS RECOMMANDÉ d'utiliser cette pompe afin de pomper du savon, des détergents, de l'essence, de l'huile usée, du mazout ou tout liquide ne s'avérant pas compatible avec les matériaux composant la pompe. N'utilisez pas cette pompe à l'intérieur. Cette pompe est à service intermittent uniquement (15 minutes par heure).

SPÉCIFICATIONS

MODÈLE DE POMPE	360/370	365
Volts du bloc d'alimentation	115V	12V
Ampérage du bloc d'alimentation	2A	7A
Alimentation en Hz (CC = Batterie de 12 V c.c.)	60	CC
Fusible	2A	10A
Température maximale du liquide (°C)	60	60
Température minimale du liquide (°C)	4	4
Protection thermique (A = Réenclenchement automatique)	A	A
Courant nominal maximal du moteur (Ampères)	1.6	7.0
Cycle de service (I = Intermittent) 15 min/hr	I	I

DIRECTIVES DE SÉCURITÉ



AVERTISSEMENT : Ne pas utiliser pour pomper des liquides inflammables ou explosifs tels que l'essence, le mazout, le kérosène, etc. Ne pas utiliser dans des atmosphères inflammables et/ou explosives. La pompe devrait toujours être utilisée avec des liquides compatibles avec les matériaux la composant. Le non-respect de cette mise en garde risque d'entraîner des blessures et ou des dommages matériels.

1. Prendre connaissance des applications de la pompe, de ses limites et des risques potentiels.
2. **AVERTISSEMENT :** Ne manipulez pas une pompe ou un moteur de pompe avec des mains mouillées ou lorsque vous trouvez debout sur une surface mouillée ou humide, ou dans l'eau.
3. Cette pompe n'est pas une pompe submersible et doit être utilisée à l'air libre uniquement.
4. Assurez-vous que la source d'alimentation a été déconnectée avant d'effectuer toute réparation ou tout entretien courant. Si l'interrupteur de mise hors tension est hors de vue, verrouillez-le en position "marche" et étiquetez-le afin d'éviter toute mise sous tension accidentelle.
5. Libérez toute la pression du système avant toute réparation ou tout service d'entretien courant d'un composant.
6. Vidangez tout le liquide contenu dans le système avant d'effectuer tout service d'entretien courant.
7. Le moteur de la pompe est équipé d'un protecteur thermique à réarmement automatique, ce qui pourrait provoquer son redémarrage de manière imprévue. Le déclenchement du protecteur indique une surcharge du moteur en raison d'un fonctionnement de la pompe à une faible hauteur de pompage (refoulement trop faible), d'une tension excessivement élevée ou basse, d'un câblage inapproprié, de raccords incorrects du moteur, ou d'une pompe ou d'un moteur défectueux. Consultez le guide de dépannage.
8. Ne touchez pas un moteur en fonctionnement. Les moteurs modernes sont conçus afin de pouvoir fonctionner à des températures élevées.
9. Assurer une protection efficace autour des pièces mobiles. Fixez le tuyau de refoulement avant de démarrer la pompe. En effet, une ligne de refoulement non fixée se mettra à fouetter et risque de se crever ou d'entraîner des dégâts matériels et/ou des blessures corporelles.
10. Vérifiez que les tuyaux ne comportent pas de traces d'usure ni de fuite en vous assurant que les raccords sont tous bien serrés.
11. Inspectez régulièrement la pompe et les composants du système. Effectuez l'entretien courant comme indiqué.
12. Équipez les pompes dont la ligne de refoulement peut être coupée ou obstruée d'une soupape de surpression.
13. **SÉCURITÉ PERSONNELLE :** Portez des lunettes de protection à tout moment lorsque vous travaillez avec des pompes.
14. Ne pas rajouter d'acide ni d'électrolyte à une batterie en fonctionnement—ajouter uniquement de l'eau. Consulter le fabricant de la batterie pour des plus amples informations concernant la sécurité.

CONNEXIONS ÉLECTRIQUES



1. Veillez à ce que la source de courant ou le générateur d'énergie soit conforme aux spécifications de votre équipement.
2. Lorsque vous effectuez les connexions d'une pompe électrique, veillez à suivre tous les codes électriques: le Code Électrique National (NEC), les codes et ordonnances de votre localité les plus récentes et les critères édictés par l'Inspection du Travail (Occupational Safety and Health Act—OSHA) des États-Unis.
3. Le modèle 360 et le modèle 370 doit être utilisé avec du 115 volts seulement (monophasé) et est équipé d'un cordon à 3 conducteurs et 3 broches avec fiche de type mise à la terre. Le modèle 365 avec du 12 V c.c.
4. Afin de réduire les risques de choc électrique, les modèles 360 et 370 doivent être branchés directement dans une prise à trois trous de type mise à la terre, installée correctement. Le conducteur vert (ou vert et jaune) dans le cordon est le fil de terre. Le moteur doit être mis à la terre correctement et de façon sécuritaire pour vous protéger contre les risques de choc électrique! Ne jamais connecter le fil vert (ou vert et jaune) à une borne sous tension! Voir les sections 10, 11 et 12 pour le modèle 365.
5. En présence d'une prise électrique murale à 2 broches, la remplacer par une prise à 3 broches correctement mise à la terre et installée conformément au code électrique national, et aux codes et réglementations en vigueur de votre localité.
6. Pour s'assurer que la mise à la terre est correcte, faire vérifier le dispositif de mise à la terre par un électricien qualifié. N'utiliser que des cordons prolongateurs à 3 fils, munis de fiches à 3 broches avec mise à la terre et des prises électriques à qui acceptent la fiche de l'équipement.
7. Toute pose de fils doit être effectuée par un électricien qualifié.
8. Veillez à ce que le cordon électrique n'entre pas en contact avec des objets pointus, des surfaces chaudes, de l'huile ou des produits chimiques. Évitez de tordre le cordon. Remplacez ou réparez immédiatement tout cordon usé ou endommagé.

9. Utiliser des câbles de diamètre adapté pour minimiser la chute de tension au moteur. Pour les modèles 360 et 370, le 16 AWG est acceptable jusqu'à 12,2 m (40 pi).

La Distance de la Source de Pouvoir à 365

La Distance de la Source de Pouvoir à 365	Grandeur Métallique Recommandée
1 - 12 Ft.	#14
13 - 24 Ft.	#12
25 - 36 Ft.	#10

Pour le Modèle 365

10. Notre modèle de pompe 365 ne comporte pas de fusibles montés sur conducteurs. En raison de la grande variété d'applications et des diverses situations de montage reconstruites, nous n'avons pas installé de fusible monté de façon permanente sur conducteur. Afin de protéger correctement votre moteur 12 volts, un fusible monté sur conducteur et un porte-fusible DOIVENT être installés. La garantie de votre pompe 365 ne couvre pas de dégât survenu suite à toute surchauffe. Pour une protection maximum, il est recommandé d'utiliser un fusible de 7 ampères. Les fusibles et les porte-fusibles sont disponibles auprès de la plupart des quincailleries et autres magasins pour pièces automobiles et centres d'équipement ménager.
11. INSTRUCTIONS GÉNÉRALES CONCERNANT LES CONNEXIONS à une batterie de 12VCC.
 - a. Connectez tout d'abord le fil POSITIF ou PLUS (+) de la pompe à la batterie. Le fil POSITIF de la pompe est rouge.
 - b. Si pompe va être connectée à batterie qui est installée dans un véhicule, connecter NÉGATIF (-) à un sol éloigné de la pile, tel que le métal du véhicule ou la borne de raccordement négative ou autre point commun négatif de la batterie (éloigné de la batterie), si a équipé. Veillez à toujours connecter le fil NÉGATIF (-) en dernier. Le fil NÉGATIF de la pompe est noir.
 - c. Lorsque vous DÉCONNECTEZ - Déconnectez le fil NÉGATIF (-) de la masse en premier, puis déconnectez le fil POSITIF (+) de la batterie.
12. Lorsque vous raccordez les fils de la pompe aux bornes de la batterie, veillez à ce que la dite zone (cale d'un bateau par exemple) possède une ventilation adéquate afin d'éviter tout risque d'explosion ou d'incendie provoqué par des vapeurs inflammables.
 - a. Les batteries émettent de l'hydrogène. Ce gaz est explosif. Évitez de fumer, de provoquer des étincelles ou d'approcher une flamme nue à proximité d'une batterie.
 - b. L'EXPLOSION d'une batterie risque d'entraîner la cécité. Protégez-vous les yeux lorsque vous travaillez à proximité d'une batterie.
 - c. Les batteries contiennent de l'acide sulfurique. En cas de contact avec les yeux, la peau ou les vêtements, RINCEZ IMMÉDIATEMENT ET ABONDAMMENT A L'EAU; CONTACTEZ UN MÉDECIN.

INSTALLATION

AVERTISSEMENT : Pour toute installation où des dégâts matériels ou des blessures corporelles sont à prévoir en cas de défaillance d'une pompe suite une panne de courant, une fuite ou une obstruction au niveau de la ligne de refoulement, ou pour toute autre raison, veillez à utiliser un ou plusieurs dispositifs de secours. Pour utiliser ce produit en toute sécurité, il est nécessaire de se familiariser avec la pompe et aussi avec le liquide (produit chimique, etc.) qui sera pompé. Cette pompe n'est pas adaptée pour certains liquides.

1. Placez la pompe le plus près possible de la source de liquide, pas plus de 2,1 mètres au-dessus de la source de liquide et pas plus de 7,6 mètres de la source d'alimentation.
2. Utilisez un tuyau en plastique ou en tissu renforcé ou un tuyau métallique pour le côté de la pompe réservé à l'aspiration afin d'éviter que le tuyau ne s'aplatisse ou ne se perce. La tuyauterie de refoulement ne devrait jamais être plus large que celle de l'aspiration!
3. Fixez la tuyauterie d'aspiration à l'entrée et la tuyauterie de refoulement à la sortie d'évacuation.
4. Évitez d'utiliser des sections à courbes car de l'air risque d'y demeurer bloqué.
5. Vérifiez la tuyauterie afin de vous assurer que les raccords ne présentent pas de fuites. Toute fuite au niveau de la ligne d'aspiration réduira le rendement de la pompe et risque d'empêcher son amorçage. La pompe doit toujours être correctement fixée; n'utilisez jamais une pompe à moins qu'elle ne soit fixée à une solide fondation.
6. N'utilisez pas la pompe à sec car vous risquez d'endommager la roue et la garniture mécanique.
7. Protégez la pompe des extrêmes de chaleur, de froid, et d'humidité. Cette pompe n'est pas étanche est n'est pas sensée être utilisée dans des douches, saunas, ou autre endroit susceptible d'être mouillé.
8. Le moteur à été conçu afin d'être utilisé dans un endroit propre et sec et ayant accès à une source d'air frais. La température ambiante autour du moteur ne devrait jamais dépasser 40°C. Pour toute installation à l'extérieur, le moteur devrait être protégé par un cache de protection ne gênant pas l'arrivée d'air autour du moteur. Cette unité n'est pas étanche et ne doit pas être immergée dans l'eau ou tout autre liquide. Ne pas utiliser cette pompe dans une piscine ou une cuve thermique ou à proximité de ces dernières.

9. Installez un clapet de pied et amorcez la pompe lorsque la hauteur de pompage est supérieure et longue à 1,8 mètre.
10. Il est vivement recommandé que ce modèle soit branché sur un circuit GFIC (circuit à interrupteur de défaut à la terre). Contactez votre électricien le plus proche pour son installation et sa facilité d'obtention.
11. Si utilisée à bord d'un bateau, la pompe ne devrait pas être installée dans la cale.

AVERTISSEMENT : Déconnectez la batterie lorsque vous effectuez des réglages et des réparations. Retirez tout d'abord le fil de terre de la batterie, puis le fil "sous tension" en dernier.

FONCTIONNEMENT



1. Les pompes s'auto-amorcent et devraient s'amorcer dans les 30 secondes suivant le démarrage de la pompe. Le fait de mouiller la roue avec du liquide pompé et en maintenant cette dernière recouverte de vaseline allongera sa durée de vie et facilitera l'amorçage. Il suffit de 30 secondes d'un fonctionnement à sec pour endommager la pompe. Veillez à conserver la ligne d'aspiration la plus courte possible.

REMARQUE : La façon la plus facile d'amorcer la pompe (mouiller la roue) si vous utilisez un tuyau d'arrosage est de remplir le tuyau de refoulement; relevez légèrement le tuyau de refoulement afin de retenir de l'eau et démarrer la pompe. Une autre méthode consiste à débrancher le tuyau de refoulement de la pompe, faire une courbe en U avec le tuyau de refoulement, remplir le tuyau puis le raccorder à nouveau (sans perdre d'eau) à la pompe. Dans les deux cas l'eau derrière la roue scellera la pompe et cette dernière s'amorcera presque immédiatement.

2. Il est possible d'arrêter et de mettre en route la pompe en débranchant et en rebranchant le cordon électrique sur une prise 115V.
3. Ne pas opérer la pompe aux de la hauteur de pompage plus grandes que 25 pieds (11 psig).
4. La pompe est équipée avec un moteur de CC 12 volt.
 - a. Pour que le moteur fonctionne, ce dernier doit être connecté à une batterie en bon état. Utilisez une batterie du même type que celles utilisées pour les voitures, les camions, les bateaux, etc. Le moteur fonctionnera indifféremment dans un sens ou dans l'autre. Par conséquent, connectez le fil rouge à la borne positive (+) de la batterie, le fil noir à la borne négative (-) de la batterie afin de le flux corresponde au sens de la flèche figurant sur la plaque du couvercle. En inversant les fils de la batterie, la pompe refoulera par l'orifice opposé.
 - b. Une tension basse risque de provoquer une dangereuse surchauffe et une défaillance prématurée de la pompe. Pour éviter cela, veillez à ce que la tension de la batterie soit maintenue et respectez le calibre de fil à utiliser lors de l'installation. Le moteur est protégé contre les éclaboussures mais n'est pas étanche. NE PAS IMMÉRGER.

ATTENTION : En raison de son dispositif de protection thermique, la pompe s'arrêtera temporairement en cas de surchauffe. Par conséquent il est déconseillé de pomper des liquides chauds. De plus, veillez à ne pas pomper de liquides dont la température est inférieure à 4°C afin de ne pas endommager la roue. NE TOUCHEZ PAS DE MOTEUR, CELA PEUT DEVENIR TRÈS CHAUD.

AVERTISSEMENT : Ne pas immerger la pompe ou le moteur dans l'eau.

DIRECTIVES D'ENTRETIEN



1. **AVERTISSEMENT :** Débrancher de la source de pouvoir en faisant les ajustements et les réparations. Sur DC (dirige le courant) les versions, premièrement débrancher le noir négatif (-) le premier fil, et alors dernièrement débrancher le rouge positif (+) le premier fil.
2. Veillez à toujours vidanger la pompe lorsque vous ne l'utilisez pas.
3. Si vous ne comptez pas utiliser la pompe pendant au moins un mois, rincez-la à l'eau douce et retirez le couvercle du corps de la pompe, retirez la roue, nettoyez l'intérieur et appliquez une bonne couche de vaseline à l'intérieur du corps et sur la roue avant de replacer la roue dans le corps.
4. Vérifiez la pompe quotidiennement, de façon hebdomadaire et mensuelle etc. afin de vous assurer de son bon fonctionnement. Si vous remarquez un changement quelconque, retirez l'unité et remplacez ou réparez-la. Seul un électricien ou du personnel qualifié devrait tenter de réparer cette unité. Toute réparation ou assemblage incorrects risque de provoquer une électrocution.
5. **POUR REMPLACER ROUE :** Remplacer roue quand il est devenu porté ou endommagé.
 - a. Enlever plaque-couvercle monter les vis.
 - b. Enlever le joint de plaque-couvercle et plaque-couvercle.
 - c. Glisser a endommagé ou roue porté de l'arbre de moteur.
 - d. Nettoyer l'intérieur de la tête de pompe et la couverture le joint sceller surface. Faire certain qu'il n'y a pas de corps étranger qu'encombrerait le roue l'opération de s.
 - e. Appliquer la gelée de pétrole ou le lubrifiant similaire à l'intérieur de la tête de pompe et l'hors du diamètre de roue.

- f. Aligner le plat sur l'intérieur du raseur d'arbre de roue avec le plat sur l'arbre de moteur. Pousser le roue à sa place, en tordant les camionnettes de roue dans une rotation dans le sens des aiguilles d'une montre.
- g. L'endroit nouveau joint sur la tête de pompe fait face à, aligne des trous et remplace couvre.
- h. Resserrer plaque-couvercle monter les vis également et bien ajusté.

ES INTRODUCCIÓN

Adjunta a su bomba Little Giant, se encuentra una hoja de instrucciones que le proporciona la información necesaria para poseer y hacer funcionar sin peligro su bomba Little Giant. La hoja de instrucciones abarca principalmente los modelos corrientes de cada serie de bombas. El formulario es aplicable a los demás modelos de la serie, que no aparecen enunciados por número de catálogo en la sección de la lista de piezas de repuesto de la hoja de instrucciones. Si el número de catálogo de su bomba no aparece en la sección de la lista de piezas de repuesto, debe procederse con precaución al ordenar piezas de repuesto. Al ordenar piezas de repuesto, indique siempre el número de catálogo de su bomba.

Los materiales y la mano de obra de la unidad Little Giant que usted ha adquirido, son óptimos. Se ha fabricado para servirle sin tropiezos durante largo tiempo. Las bombas Little Giant se embalan, inspeccionan y prueban cuidadosamente, para garantizar un funcionamiento y una entrega sin peligro. Cuando reciba su bomba, examínela cuidadosamente, para verificar que durante el transporte no se haya roto ni averiado ninguna pieza. Si encuentra algún daño, tome nota de él, e informe a la firma de la cual adquirió la bomba; ella le ayudará a cambiarla o repararla, si es necesario.

LEA CUIDADOSAMENTE LAS INSTRUCCIONES, ANTES DE INTENTAR INSTALAR, HACER FUNCIONAR O REPARAR LA BOMBA Little Giant. CONOZCA LOS USOS, LIMITACIONES Y PELIGROS POTENCIALES DE LA BOMBA. PROTEJASE Y PROTEJA A LOS DEMAS, OBSERVANDO TODAS LAS NORMAS DE SEGURIDAD. SI NO SE OBEDECEN LAS INSTRUCCIONES, PUEDEN PRODUCIRSE LESIONES, DAÑOS MATERIALES O AMBOS. CONSERVE LAS INSTRUCCIONES PARA CONSULTARLAS EN EL FUTURO.

DESCRIPCIÓN

La bomba para aplicaciones marítimas de Little Giant ha sido diseñada para uso comercial e industrial en general. La unidad es para agua pero no es sumergible. Use esta bomba para transferir líquidos, vaciar o llenar tanques, fregaderos o tazones. La bomba se puede usar para quitar pantoque agua, pero la bomba no se debe localizar en el área de pantoque. La característica de autocebado funciona con un máxima de 2,1 metros si el impulsor ha sido cebado previamente (mojado). Se incluye la agarradera de transporte.

NOTA: NO SE RECOMIENDA usar la unidad con detergentes jabonosos; gasolina; aceite desechado; petróleo combustible; líquidos inflamables, explosivos o combustibles; ni con otros fluidos que no son compatibles con los materiales de los componentes de la bomba. Esta unidad no se debe usar en áreas encerradas. Servicio de bombeo intermitente (15 minutos par hora).

ESPECIFICACIONES

MODELO DE LA BOMBA	360/370	365
Voltios de suministro de energía	115V	12V
Amperios de suministro de energía	2A	7A
Suministro de energía en Hz (CC = batería de 12 VCC)	60	CC
Fusible	2A	10A
Temperatura máxima del líquido (°C)	60	60
Temperatura mínima del líquido (°C)	4	4
Protección térmica (A = autoreinicio)	A	A
Capacidad de corriente máxima del motor	1.6	7.0
Ciclo de trabajo (I = intermitente) 15 min/h	I	I

NORMAS DE SEGURIDAD



ADVERTENCIA: No la use para bombear fluidos inflamables o explosivos tales como gasolina, aceite combustible, queroseno, etc. No la use en atmósferas inflamables y/o explosivas. La bomba solo debe usarse con líquidos compatibles con los materiales componentes de la bomba. El no observar esta advertencia puede tener como resultado lesiones personales y daños materiales.

1. Conozca las aplicaciones, limitaciones y riesgos potenciales de la bomba.
2. **ADVERTENCIA :** No maneje la bomba ni el motor de la bomba con las manos húmedas cuando este parado en una superficie húmeda o mojada, o en el agua.
3. Esta bomba no es una bomba sumergible y se debe usar al aire libre solamente.
4. Desconecte la energía eléctrica antes de dar servicio al sistema. Si el punta de desconexión de la energía está fuera del alcance de la vista, asegure el interruptor en posición abierta y coloque una etiqueta de advertencia para evitar la aplicación inadvertida de energía.
5. Libere toda la presión dentro del sistema antes de dar servicio a cualquier componente.

6. Drene todos los líquidos del sistema antes de darle mantenimiento.
7. El motor de la bomba está equipado con un dispositivo automático de reajuste de protección térmica, y podría arrancar inesperadamente. El disparo del dispositivo de protección indica una sobrecarga del motor como resultado de operar la bomba con elevaciones bajas (restricción baja de descarga), tensión excesivamente alta o baja, cableado inadecuado, conexiones del motor incorrectas, o un motor o bombas defectuosos. Lea la Tabla de Resolución de Problemas.
8. No toque el motor cuando esté en operación. Los motores modernos están diseñados para operar a altas temperaturas.
9. Asegure la línea de descarga antes de dar arranque a la bomba. Una línea de descarga suelta puede brincar dando un latigazo, y causar lesiones personales y daños materiales o rotura de la tubería.
10. Revise las mangueras para ver si están débiles o gastadas antes de cada uso, asegurándose de que todas las conexiones estén firmes.
11. Periódicamente revise la bomba y los componentes del sistema. Lleve a cabo el mantenimiento de rutina según sea necesario.
12. Suministre un sistema de alivio de presión en bombas cuya línea de descarga pueda cerrarse u obstruirse.
13. **SEGURIDAD PERSONAL:** Use anteojos de seguridad siempre que trabaje en la bomba.
14. No agregue ácido o electrolito a una batería que esta siendo utilizada— agregue agua solamente. Consulte al fabricante de la batería para información adicional de seguridad.

CONEXIONES ELECTRICAS



1. Asegúrese de que la fuente de energía (motor eléctrico o a gasolina) cumpla con los requisitos de su equipo.
2. Cuando esté alambrando una bomba movida por electricidad, cumpla con todos los códigos eléctricos y de seguridad, así como con el Código Eléctrico Nacional (NEC) de EE.UU. más reciente y el de Occupational Safety and Health Act (OSHA).
3. El modelo 360 y 370 se usa solamente con 115 voltios (monofásico) y está equipado con un cable aprobado de 3 conductores y un enchufe con conexión a tierra de 3 clavijas. El modelo 365 es para 12 VCC.
4. Para reducir el riesgo de choque eléctrico, los modelos 360 y 370 se deben conectar directamente a un receptáculo con conexión a tierra de 3 clavijas debidamente instalado. El conductor verde (o verde y amarillo) del cable es el cable de conexión a tierra. ¡El motor debe estar asegurado y conectado a tierra debidamente para protegerlo contra los choques eléctricos! ¡Nunca conecte el cable verde (o verde y amarillo) a un terminal vivo! CONSULTE LAS SECCIONES 10, 11 Y 12 PARA OBTENER INFORMACIÓN SOBRE EL MODELO 365.
5. Cuando lo que se tiene es un receptáculo de pared para 2 clavijas, debe cambiarse por un receptáculo de 3 clavijas adecuadamente conectado a tierra, instalado de acuerdo con el Código Eléctrico Nacional y con los códigos y ordenanzas locales.
6. Use solo cables de extensión de 3 alambres que tienen enchufes con conexión a tierra de 3 clavijas, y receptáculos que acepten el enchufe del equipo.
7. Todo el alambrado lo debe hacer un electricista calificado.
8. Proteja el cordón eléctrico de objetos afilados, superficies calientes, aceites y químicos. Evite que el cordón se doble o retuerza. Reemplace o repare inmediatamente los cables dañados o gastados.
9. Use alambre de tamaño adecuado para minimizar la caída de voltaje en el motor. Para los modelos 360 y 370, un cable de calibre 16 (AWG) es aceptable hasta una longitud de 12 metros (40 pies).

Distancia de Fuente de Alimentación a 365	Tamaño de Alambre Recomendado
1 - 12 Ft.	#14
13 - 24 Ft.	#12
25 - 36 Ft.	#10

Para Modelo 365

10. Nuestra bomba modelo 365 no está equipada con fusibles en línea. Debido a la amplia gama de aplicaciones y posibilidades de montaje, no hemos instalado permanentemente ningún fusible en línea. Para suministrar una protección adecuada al motor de 12 voltios, ES NECESARIO instalar primero un fusible en línea y un portafusibles. La garantía de su bomba 365 no cubre los daños al motor debidos a sobrecalentamiento. Sugerimos un fusible de 7 amperios para una protección máxima. Los fusibles y los portafusibles se encuentran normalmente disponibles en la mayoría de las ferreterías y tiendas de accesorios automotrices y para el hogar.
11. **INFORMACION GENERAL DE CONEXION** con una batería de 12VDC.
 - a. Primero conecte el cable POSITIVO (+) de la bomba con la batería. El cable POSITIVO de la bomba es de color rojo.
 - b. Si bomba deberá ser conectada a la batería que se instala en un vehículo, conecte el cable NEGATIVO (-) a tierra en un punto alejado de la batería, como por ejemplo el metal del vehículo o el terminal de alambrado negati-

vo o con otro punto común negativo (-) de la batería (alejado de la batería), si ésta está equipada de tal modo. Siempre conecte el cable NEGATIVO (-) por último. El cable NEGATIVO de la bomba es de color negro.

- c. **AL DESCONECTAR**—Desconecte el cable NEGATIVO (-) del punta de conexión a tierra. Después desconecte el cable POSITIVO (+) de la batería.
12. Al instalar los cables de la bomba en los terminales de la batería, asegúrese de que el área (por ejemplo: pantoque de una embarcación) esté ventilada adecuadamente para evitar una explosión o un incendio debido a los vapores explosivos o inflamables que pudieran estar presentes.
 - a. Las baterías emiten hidrógeno gaseoso, el cual es explosivo. Evite fumar, las chispas o las llamas abiertas en todos los puntos cercanos a la batería.
 - b. Una EXPLOSION de la batería puede causar la ceguera. Protéjase los ojos al trabajar cerca de cualquier batería.
 - c. Las baterías contienen ácido sulfúrico. En caso de contacto con los ojos, la piel o la ropa, ENJUAGUESE INMEDIATAMENTE CON BASTANTE AGUA; OBTENGA ATENCION MEDICA.

INSTALACIÓN

ADVERTENCIA: En todas las instalaciones donde puedan ocurrir daños materiales o lesiones personales debido a que la bomba no esta operando por interrupción de la energía, congelación de la línea de descarga o cualquier otra razón, se deben usar sistemas de respaldo. Para usar en forma segura este producto familiarícese con la bomba y el líquido (químico, etc.) que va a bombear. La bomba puede no ser apropiada para manejar ciertos líquidos.

1. La bomba debe ser colocada lo más cerca de la fuente de líquido y corriente que sea posible, no más de 2,1 metros por encima de la fuente de líquido y no más de 7,6 m desde la fuente de corriente.
2. Use manguera de plástico o de tela para la tubería de succión, ésta debe ser del tipo reforzado de manera que no se colapse con la succión. La tubería de descarga nunca debe ser más larga que la tubería de succión!
3. Instale una tubería de línea de succión en la entrada de succión y descargue la tubería de la línea en dirección a la salida de descarga.
4. Evite usar curvas, secciones de tubería que puedan ocasionar que el aire quede atrapado.
5. Las tuberías deben ser inspeccionadas para ver si existen fugas en las conexiones. Las fugas pequeñas en la línea de succión reducen considerablemente la eficiencia de la bomba, y podrían imposibilitar el cebado. Nunca opere la unidad a menos de que se encuentre en un cimiento sólido.
6. No opere la bomba en seco, pues puede dañar permanentemente el sella mecánico y el impulsor.
7. La unidad debe quedar protegida de las inclemencias del tiempo y de los extremos de calor, frío y humedad. Esta unidad no es a prueba de agua y no ha sido diseñada para ser usada en duchas, saunas, u otras ubicaciones potencialmente húmedas.
8. El motor está diseñado para usarse en una ubicación limpia y seca, con acceso a un suministro adecuado de aire de enfriamiento. La temperatura ambiente alrededor del motor no debe sobrepasar de 104°F (40°C). En las instalaciones al aire libre, el motor debe quedar protegido con una cubierta que no obstruya el flujo de aire hacia el motor y alrededor del mismo. Esta unidad no es a prueba de agua, y tampoco puede ser sumergida en el agua ni en ningún otro líquido. No la use en piscinas o tinas ni cerca de las mismas.
9. Instale una válvula de pie y cebe la bomba cuando el alzamiento de succión excede 1,8 m o cuando la línea de succión es de más de 1,8 m.
10. Se recomienda definitivamente que esta unidad sea conectada a un circuito G.F.C.I. (Ground Fault Circuit Interrupter). Consulte a su electricista local para la instalación y disponibilidad.
11. Al usarla en una embarcación, la bomba no debe ser instalada en pantoques.

ADVERTENCIA : Desconecte la batería al realizar ajustes o reparaciones. Primero quite el cable de conexión a tierra de la batería, y por último el cable “cargado” de la batería.

FUNCIONAMIENTO



1. Estas bombas son unidades de autocebado y se deben cebar a sí mismas dentro de un período de 30 segundos después de arrancar la bomba. El mojar el impulsor con el fluido bombeado mejora la acción cebadora. El hacer que el impulsor funcione en seco por 30 segundos o mas puede dañar el impulsor. El mantener al impulsor con una capa de petrolato aumentará su durabilidad. El impulsor necesita la aplicación de una capa solamente para el cebado inicial. Mantenga la línea de succión lo más corta que sea posible.

NOTA: Una manera fácil de cebar la bomba (impulsor mojado), si se utiliza una manguera de jardín, consiste en llenar la manguera de descarga: eleve un poco la manguera de descarga (para retener el agua) y arranque la bomba. Otro método consiste en desconectar la manguera de descarga de la bomba, formando una doblez en U en la manguera de descarga. Llene la manguera y conéctela nuevamente a la bomba sin dejar escapar el agua. En ambos casos, el agua detrás del impulsor sellará la bomba y ésta cebará casi inmediatamente.

2. Se puede encender y apagar la unidad conectando o desconectando el enchufe a la toma de corriente de 115V.
3. No opere bomba en la altura de alzamiento más que 25 pies (11 psig).
4. La bomba se equipa con un motor del 12 voltios DC.
 - a. Para operar el motor, éste debe estar conectado a una batería de 12 voltios en buen estado, del tipo utilizado en automóviles, camiones, embarcaciones, etc. El motor funcionará en cualquiera de las dos direcciones. Por lo tanto, conecte el cable rojo con el terminal Positivo (+) de la batería y el cable negro con el terminal Negativo (-) de la batería para que la dirección o flujo corresponda con la flecha en la placa de la tapa. La bomba descargará a través del orificio opuesto al invertir los cables conectados con la batería.
 - b. La tensión baja podría causar un sobrecalentamiento crítico y crear fallas prematuras. Para evitar esto, asegúrese de mantener la tensión de la batería y use cables del tamaño recomendado durante la instalación. El motor es a prueba de salpicaduras, pero no a prueba de agua. NO LO SUMERJA.

PRECAUCION: Debido al hecho de que la unidad está protegida térmicamente, ésta ha sido diseñada para apagarse temporalmente bajo condiciones de obrecalentamiento; por lo tanto, no se recomienda el bombeo de líquidos extremadamente calientes. Además, para proteger el impulsor contra roturas, no bombee líquidos a temperaturas inferiores a los 4°C. NO TOQUE EL MOTOR, PUEDE HACERSE MUY CALIENTE.

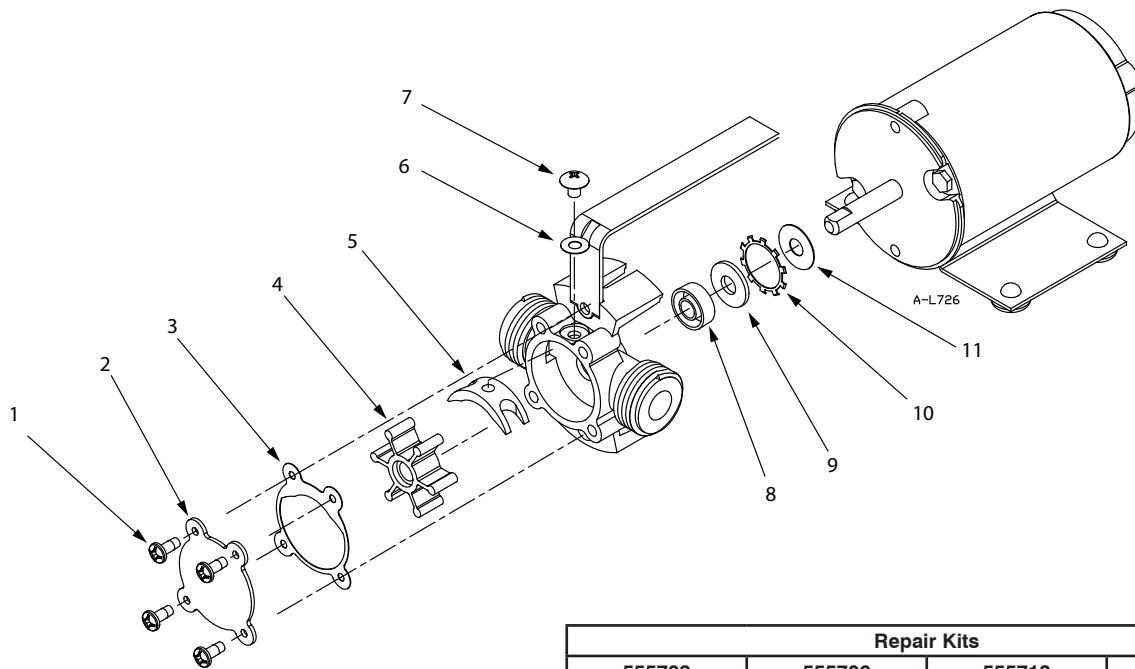
ADVERTENCIA: No sumerja la bomba o el motor en agua.

INSTRUCCIONES DE SERVICIO



1. **PRECAUCIÓN:** Desconecta de la fuente del poder cuando hacer los ajustes y las reparaciones. En DC (corriente continua) las versiones, desconectan primero el negro negativo (-) dirige alambre, y entonces últimamente desconecta el rojo positivo (+) dirige alambre.
2. Drene todos los líquidos de la bomba cuando no la usa.

3. Si no piensa utilizar la bomba durante un mes por lo menos, límpiela con agua potable. Luego drene el agua y retire la tapa del cuerpo de la bomba, quite el impulsor, limpie el interior del cuerpo, y aplique una capa de petróleo en la superficie del impulsor y dentro del cuerpo antes de colocar el impulsor en el cuerpo nuevamente.
4. La bomba debe revisarse diariamente, semanalmente, mensualmente, etc. para asegurarse de que la operación es adecuada. Si el funcionamiento de la unidad ha cambiado con respecto a su operación cuando nueva, la unidad debe removerse y repararse o reemplazarse. Solo electricistas o técnicos de servicio calificados deben intentar reparar esta unidad. Una reparación o un ensamble inadecuados pueden ser causa de riesgo de choque eléctrico
5. **PARA REEMPLAZAR IMPULSOR:** Reemplaza impeller cuando ha llegado a ser llevado o dañado.
 - a. Quite la cubierta los tornillos de montar de plato.
 - b. Quite la cubierta plato y junta de culata de plato de cubierta.
 - c. El resbaladero dañó o impulsor llevado de túnel motriz.
 - d. Limpie el interior de la cabeza de bomba y la superficie de sellar de junta de culata de cubierta. Acerciore que no hay las materias extranjeras que obstruirían la operación del impulsor.
 - e. Aplique petróleo la jalea o lubricante semejante al interior de la cabeza de bomba y el diámetro exterior del impulsor.
 - f. Alinee la planicie en el interior del túnel de impulsor taladra con la planicie en el túnel motriz. Empuje el impulsor en el lugar, al torcer las veletas de impeller en una a la derecha rotación.
 - g. Coloque junta de culata nueva en la cara de cabeza de bomba, alinee hoyos y reemplace la cubierta.
 - h. Apriete los tornillos de montar de plato de cubierta uniformemente y cómodamente.



Item No.	Description	Repair Kits			
		555702 HRK-360S	555706 IRK-360	555713 IRK-360S	555714 ISRK-360S
1	Screw, volute cover	4	--	--	--
2	Volute cover, SST	1	--	--	--
3	Cover gasket, Nitrile	2	2	2	2
4	Impeller, Buna-N w/SST insert	2	--	2	2
4	Impeller, Buna-N w/brass insert	--	2	--	--
5	Cam, SST	1	--	--	--
6	Gasket, fiber washer, cam screw	1	--	--	--
7	Screw, cam	1	---	--	--
8	U-cup seal, Viton	--	--	--	1
9	Felt washer	--	--	--	1
10	Internal retaining ring	--	--	--	1
11	Slinger washer, neoprene	--	--	--	1

**TROUBLESHOOTING INFORMATION • INFORMATION SUR LA RELÈVE DES DÉRANGEMENTS
• INFORMACION DE INVESTIGACION DE AVERIAS**

PROBLEM • FONCTIONNEMENT DÉFECTUEUX • PROBLEMA	PROBABLE CAUSES • CAUSES PROBABLES • CAUSAS PROBABLES	CORRECTIVE ACTIONS • SOLUTIONS • SOLUCION
<ul style="list-style-type: none"> Pump will not run La pompe ne fonctionne pas La bomba no funciona 	No power or incorrect voltage • Aucune électricité ou aucune tension inexacte • No hay corriente eléctrica	Supply correct voltage • La provision tension exacte • El suministro corrige el voltaje
	Brushes worn out • Balais usés • Las escobillas están gastadas	Replace defective part • Remplacer la partie défectueuse • Reemplace la parte defectuosa
	Motor has open circuit • Circuit ouvert au niveau du moteur • Hay un circuito abierto al nivel del motor	Replace defective part • Remplacer la partie défectueuse • Reemplace la parte defectuosa
	Motor overheated • Le moteur surchauffe • El motor sobrecalienta	If motor has auto-resetting thermal protector, wait 15 minutes for motor to cool • Si le moteur a auto remettre à l'état initial le protecteur thermique, attendre 15 minutes pour le moteur pour refroidir • Si el motor tiene reponer de auto protector térmico, espere 15 minutos para el motor para refrescar
<ul style="list-style-type: none"> Pump runs but no fluid is pumped La pompe fonctionne mais ne pompe pas de liquide La bomba gira pero no bombea liquido 	Air leak or kink in hose • Fuite d'air au niveau du tuyau d'aspiration • Entrada de aire en la línea de succión	Repair or replace • Réparer ou remplacer • Repárela o reemplácela
	Defective cam or impeller • Roue défectueuse • Leva o impulsor defectuosos	Replace defective part • Remplacer la partie défectueuse • Reemplace la parte defectuosa
	Suction lift too high • Hauteur d'aspiration trop élevée • La altura de succión es excesiva	Lower pump • Abaisser la pompe • Baje la bomba
	Inlet clogged • Orifice d'entrée bouche • El puerto de entrada está atascado	Clean inlet • Nettoyer l'arrivée • Limpie la cala
	Pump too far from liquid • La pompe est trop éloignée du liquide • Bomba colocada demasiado lejos de la fuente de liquido	Relocate pump • Déplacer • Ubiquela en una mejor posición
<ul style="list-style-type: none"> Pump will not prime or retain prime after operating La pompe ne s'amorce pas ou ne retient pas le liquide après utilisation La bomba no ceba o no retiene la ceba después de operar 	Air leak or kink in hose • Fuite d'air au niveau du tuyau d'aspiration • Entrada de aire en la línea de succión	Repair or replace • Réparer ou remplacer • Repárela o reemplácela
	Defective cam or impeller • Roue défectueuse • Leva o impulsor defectuosos	Replace defective part • Remplacer la partie défectueuse • Reemplace la parte defectuosa
	Seal worn • Garniture usée • Sello gastado	Replace defective part • Remplacer la partie défectueuse • Reemplace la parte defectuosa
	Gasket leaking • Le joint fuit • Fugas en el empaque	Replace defective part • Remplacer la partie défectueuse • Reemplace la parte defectuosa
	Groove worn in shaft at seal area • La rainure de l'arbre est usée au niveau de la garniture • La ranura del eje está gastada at nivel el sello	Replace defective part • Remplacer la partie défectueuse • Reemplace la parte defectuosa
	Suction lift too high • Hauteur d'aspiration trop élevée • La altura de succión es excesiva	Lower pump • Abaisser la pompe • Baje la bomba
<ul style="list-style-type: none"> Flow rate is low Faible débit La velocidad de flujo es baja 	Air leak or kink in hose • Fuite d'air au niveau du tuyau d'aspiration • Entrada de aire en la línea de succión	Repair or replace • Réparer ou remplacer • Repárela o reemplácela
	Defective cam or impeller • Roue défectueuse • Leva o impulsor defectuosos	Replace defective part • Remplacer la partie défectueuse • Reemplace la parte defectuosa
	Incorrect voltage • Tension incorrecte • Voltaje inapropiado	Supply correct voltage • La provision tension exacte • El suministro corrige el voltaje
	Inlet clogged • Orifice d'entrée bouche • El puerto de entrada está atascado	Clean inlet • Nettoyer l'arrivée • Limpie la cala
<ul style="list-style-type: none"> Shaft seal leaks La garniture fuit Escapes en el sello 	Seal worn • Garniture usée • Sello gastado	Replace defective part • Remplacer la partie défectueuse • Reemplace la parte defectuosa
	Groove worn in shaft at seal area • La rainure de l'arbre est usée au niveau de la garniture • La ranura del eje está gastada at nivel el sello	Replace defective part • Remplacer la partie défectueuse • Reemplace la parte defectuosa
	Pump head loose on motor • La fixation de la tête de pompe sur le moteur est desserrée • El cabeza no queda sujetado firmemente al motor	Repair • Réparer • Repare
<ul style="list-style-type: none"> Motor runs too hot Le moteur chauffe El motor sobrecalienta 	Incorrect voltage • Tension incorrecte • Voltaje inapropiado	Supply correct voltage • La provision tension exacte • El suministro corrige el voltaje
	Excessive discharge pressure • Pression de refoulement excessive • La presión de descarga es excesiva	Reduce pressure • Réduire la pression • Disminuya la presión
	Impeller swollen • La roue est déformée • El impulsor está deformado	Replace defective part • Remplacer la partie défectueuse • Reemplace la parte defectuosa
	Liquid too viscous • Le liquide est trop visqueux • El líquido es demasiado viscoso	Reduce viscosity of liquid • Diminuer la viscosité du liquide • Reduzca la viscosidad
	Obstruction or kink in hose • Le tuyau d'évacuation est bouché ou plié • La línea de descarga está obstruida o retorcida	Repair or replace • Réparer ou remplacer • Repárela o reemplácela
	Insufficient air flow on motor • Flux d'air insuffisant au moteur • Flujo de aire insuficiente alrededor del motor	Be sure ample fresh air is available at the motor • Veiller à ce qu'il y ait suffisamment d'air frais au niveau du moteur • Asegúrese de que haya un flujo de aire suficiente alrededor del motor

LIMITED WARRANTY

Your Little Giant product is guaranteed to be in perfect condition when it leaves our Factory. It is warranted against defective materials and workmanship for a period of 12 months from date of purchase by the user. No warranty on brush wear, impeller or cam in models BPLA, 360, 360S, 361, 362, 365, 365S, 366, 370 and 371.

Any product that should fail for either of the above two reasons and is still within the warranty period will be repaired or replaced at the option of Little Giant as the sole remedy of buyer. For our customers in the CONTINENTAL UNITED STATES: Please return the defective unit, postage paid, to the factory at 301 North MacArthur Blvd., Oklahoma City, OK 73127-6616. All defective product returned under warranty will be fully inspected to determine the cause of failure before warranty is approved.

For our customers located elsewhere; it is not economical, due to duties and freight, to return the pump to the factory for inspection. Please return the defective unit to any authorized distributor or dealer with a brief written explanation of the problem. If there are no apparent signs of customer abuse, unit will be repaired or replaced. If dispute arises

over replacement of the pump, the distributor or dealer is to segregate such items and hold for inspection by a representative of Little Giant or notify factory with details of the problem for factory disposition and settlement of warranty claim.

DISCLAIMER: THE FOREGOING WARRANTY IS AN EXCLUSIVE WARRANTY IN LIEU OF ANY OTHER EXPRESS WARRANTIES. ANY IMPLIED WARRANTIES (INCLUDING, BUT NOT LIMITED TO ANY IMPLIED WARRANTY OF MERCHANTABILITY OR FITNESS FOR A PARTICULAR PURPOSE) TO THE EXTENT EITHER APPLIES TO A PUMP SHALL BE LIMITED IN DURATION TO THE PERIODS OF THE EXPRESS WARRANTIES GIVEN ABOVE.

Warranty will be VOID if any of the following conditions are found:

- Sealed motor housing opened.
- Product connected to voltage other than indicated on nameplate.
- Cord cut off to a length less than three feet.
- Pump allowed to operate dry (fluid supply cut off).

- Pump used to circulate anything other than fresh water, light oils, or other mild liquids at approximately room temperature.
- Product abuse by customer.

Any oral statements about the product made by the seller, the manufacturer, the representatives or any other parties, do not constitute warranties, shall not be relied upon by the user and are not part of the contract for sale. Seller's and manufacturer's only obligation, and buyer's only remedy, shall be the replacement and/or repair by the manufacturer of the product as described above. NEITHER SELLER NOR THE MANUFACTURER SHALL BE LIABLE FOR ANY INJURY, LOSS OR DAMAGE, DIRECT, INCIDENTAL OR CONSEQUENTIAL (INCLUDING, BUT NOT LIMITED TO INCIDENTAL OR CONSEQUENTIAL DAMAGES FOR LOST PROFITS, LOST SALES, INJURY TO PERSON OR PROPERTY, OR ANY OTHER INCIDENTAL OR CONSEQUENTIAL LOSS), ARISING OUT OF THE USE OR THE INABILITY TO USE THE PRODUCT AND THE USER AGREES THAT NO OTHER REMEDY SHALL BE AVAILABLE TO IT. Before using, the user shall determine the suitability of the product for the intended use, and user assumes all risk and liability whatsoever in connection therewith.

Some states and countries do not allow limitations on how long an implied warranty lasts or the exclusion or limitation of incidental or consequential damages, so the above limitations or exclusions may not apply to you. This warranty gives you specific legal rights, and you may also have other rights which vary from state to state and country to country.

The National Electric Code (in the USA) and similar codes in other countries require a Ground Fault Circuit Interrupter (GFCI) to be installed in the branch circuit supplying fountain equipment rated above 15 volts. 115 volt GFCI's (with various cord lengths) are in stock, and we recommend each pump be used with a GFCI.

GARANTIE LIMITÉE

La présente garantit que votre pompe Little Giant est en parfaite condition à sa sortie de l'usine. La pompe est garantie contre tout défaut de matériau ou de fabrication pendant une période de 12 mois à partir de la date d'achat initial. L'usure des balais, ainsi que les dommages au rotor ou à la came sur les modèles BPLA, 360, 360S, 361, 362, 365, 365S, 366, 370 et 371 ne sont pas couverts par la présente garantie.

Tout produit encore garanti qui serait défectueux pour l'une des deux raisons sus-mentionnées sera réparé ou remplacé à la discrétion du fabricant. L'acheteur n'aura pas d'autre recours. Pour nos clients aux ÉTATS-UNIS (territoire continental seulement) : Veuillez retourner l'article défectueux suffisamment affranchi à l'usine à l'adresse suivante 301 North MacArthur Blvd., Oklahoma City, OK 73127-6616. Tous les produits garantis retournés feront l'objet d'une inspection détaillée afin de déterminer si la défectuosité est couverte par la garantie.

Pour les clients à l'extérieur des États-Unis : étant donné les frais de douane et de transport, il n'est pas économique de retourner la pompe à l'usine pour inspection. Expédier la pompe ainsi qu'une brève description du problème à tout distributeur ou détaillant autorisé. Si elle ne présente aucun signe apparent d'une mauvaise utilisation, elle sera remplacée ou réparée. S'il y a conflit sur la nécessité de remplacer la pompe, le distributeur ou le détaillant devra garder celle-ci et, soit la fera inspecter par un représentant de Little Giant, soit avisera l'usine du problème afin de connaître la décision de celle-ci et le règlement de la réclamation.

DÉNÉGATION : LA GARANTIE ÉNONCÉE DANS LES PRÉSENTES EST EXCLUSIVE ET REMPLACE TOUTE AUTRE GARANTIE EXPRESSE OU IMPLICITE; CELA COMPORTE, MAIS NON EXCLUSIVEMENT, TOUTE GARANTIE IMPLICITE D'APTITUDE À LA COMMERCIALISATION OU D'APTITUDE PARTICULIÈRE, POUVANT S'APPLIQUER À UNE POMPE. DE PLUS, ELLE NE S'APPLIQUE QUE DURANT LA PÉRIODE DE COUVERTURE PRÉCISÉE CI-DEVANT.

La présente garantie sera ANNULÉE si:

- Le boîtier scellé du moteur a été ouvert;
- Le branchement à une tension autre que celle indiquée sur la plaque du fabricant a été effectué;
- Le fil d'alimentation a été coupé à une longueur inférieure à 0,91 m (trois pieds);
- La pompe a tourné à vide (l'alimentation en liquide a été coupée);
- La pompe a été utilisée pour faire circuler des liquides autres que de l'eau fraîche, des huiles légères ou d'autres liquides non corrosifs et ce, à la température ambiante;
- La pompe a été mal utilisée.

Toute déclaration sur la pompe faite oralement par le vendeur, le fabricant, le représentant ou par toute autre partie ne constitue pas une garantie et, par conséquent, ne peut servir à l'utilisateur. De plus, une telle déclaration ne peut, en aucun cas, faire partie du contrat de vente. L'unique obligation du vendeur et du fabricant, et l'unique recours de l'acheteur, est le remplacement ou la réparation de la pompe selon les modalités décrites précédemment. NI LE VENDEUR NI LE FABRICANT NE PEUVENT ÊTRE TENUS RESPONSABLES DE TOUTE BLESSURE, TOUTE PERTE, OU TOUT DOMMAGE DIRECT, INDIRECT OU ACCESSOIRE (INCLUANT, MAIS NON EXCLUSIVEMENT, LES VENTES OU PROFITS PERDUS, LES ATTEINTES AUX PERSONNES OU À LA PROPRIÉTÉ OU TOUTE AUTRE PERTE INDIRECTE OU ACCESSOIRE) RÉSULTANT DE L'UTILISATION OU DE L'INCAPACITÉ D'UTILISATION DE LA POMPE, ET L'ACHETEUR CONVIENT QU'IL NE DISPOSE D'AUCUN AUTRE RECOURS. L'acheteur doit s'assurer que la pompe convient à l'usage projeté; il assume aussi tout risque et toute responsabilité relativement à cet usage.

Certaines juridictions ne permettent pas la limitation de la durée d'une garantie ou l'exclusion ou la limitation de responsabilité pour des dommages indirects ou accessoires. Par conséquent, il est possible que la limitation ou l'exclusion indiquée précédemment puisse ne pas être applicable. Cette garantie vous donne des droits particuliers et peut-être d'autres, dépendamment des juridictions en vigueur.

Le code national de l'électricité et autres codes semblables d'autres pays exigent l'installation d'un interrupteur avec mise à la terre (GFI) sur le circuit d'alimentation de la fontaine pour toute installation dont la tension est supérieure à 15 volts. Nous offrons de tels interrupteurs (avec différentes longueurs de fil) et nous recommandons que chaque pompe soit reliée à un interrupteur de ce type.

GARANTIA LIMITADA

El producto que Little Giant le ofrece está garantizado a estar en perfectas condiciones al momento de salir de la fábrica. El producto está garantizado contra materiales y fabricación defectuosa por un período de 12 meses desde la fecha en la cual fue comprada por el usuario. No hay garantía contra el gasto del cepillo e impulsor o leva en los modelos BPLA, 360, 360S, 361, 362, 365, 365S, 366, 370 y 371.

Cualquier producto que falle por alguna de las dos razones anteriores y que esté dentro del período de garantía será reparado o reemplazado a opción de Little Giant y éste será el único remedio del comprador. Para nuestros clientes en los ESTADOS UNIDOS CONTINENTALES: Por favor, devolver la unidad defectuosa, con el porte pagado, a la fábrica en 301 North MacArthur Blvd., Oklahoma City, OK 73127-6616. Todo producto defectuoso devuelto bajo la garantía será cuidadosamente inspeccionado para determinar la causa de la falla antes de aprobar la garantía.

Para nuestros clientes ubicados en otros lugares; no es económico devolver la bomba a la fábrica para que ésta sea inspeccionada, debido a los impuestos y al flete. Por favor, devuelva la unidad defectuosa a cualquier distribuidor o vendedor autorizado con una breve explicación por escrito del problema. Si no existen señas aparentes de abuso por parte del cliente, la unidad será reemplazada o reparada. Si se produce una disputa sobre el reemplazo de la bomba, el distribuidor o vendedor debe separar los artículos y retenerlos para que sean inspeccionados por un representante de Little Giant o avisarle a la fábrica de los detalles del problema para que la fábrica disponga de las acciones necesarias y resuelva el reclamo de la garantía.

DES AUTORIZACION: LA GARANTIA ANTERIOR ES UNA GARANTIA EXCLUSIVA EN LUGAR DE CUALQUIER OTRA GARANTIA EXPRESA. CUALQUIER GARANTIA IMPLICADA (INCLUYENDO PERO NO LIMITADO A CUALQUIER GARANTIA IMPLICADA DE COMERCIALIZACION O APTITUD PARA PROPOSITO PARTICULAR) EN LA MEDIDA EN QUE SE PUEDA APLICAR A UNA BOMBA, QUEDARA LIMITADA EN DURACION A LOS PERIODOS DE GARANTIAS PROPORCIONADOS ANTERIORMENTE.

La garantía será declarada NULA si se encuentran cualesquiera de las siguientes condiciones:

- El alojamiento sellado del motor abierto.
- El producto conectado a un voltaje que no es el indicado en la placa principal.
- El cable cortado a menos de tres pies (0,91 m.).
- Se permitió que la bomba opere en seco (envío de fluido cortado).
- La bomba empleada para hacer circular cualquier otra sustancia que no sea agua fresca, aceites livianos u otros líquidos livianos aproximadamente a temperatura ambiente.
- Abuso del producto por parte del cliente.

Cualquier declaración oral acerca del producto hecha por el vendedor, fabricante, representantes o cualquiera de las partes, no constituyen garantías, el usuario no debe confiarse de ellas, y no forman parte del contrato de compra-venta. La única obligación del vendedor y del fabricante y el único remedio para el comprador, será la reposición y/o reparación del producto por parte del fabricante bajo las condiciones descritas anteriormente. NI EL VENDEADOR NI EL FABRICANTE SE HACEN RESPONSABLES DE NINGUNA LESION, PERDIDA O DAÑO, DIRECTO, INCIDENTAL O CONSECUENTE (INCLUYENDO, PERO SIN LIMITARSE A, DAÑOS INCIDENTALES O CONSECUENTES DEBIDO A GANANCIAS PERDIDAS, VENTAS PERDIDAS, DAÑOS A PERSONAS O PROPIEDADES O CUALQUIER OTRA PERDIDA INCIDENTAL O CONSECUENTE), QUE RESULTE DEL USO O DE LA IMPOSIBILIDAD DEL USO DEL PRODUCTO, Y EL COMPRADOR ACUERDA QUE NO EXISTE OTRO REMEDIO DISPONIBLE PARA EL. Antes de usar, el usuario debe determinar si el producto se adapta al uso deseado, y el usuario asume todos los riesgos y responsabilidades en relación a ello.

Algunos estados y países no permiten limitaciones sobre la duración de una garantía implícita o la exclusión o limitación de daños incidentales o consecuentes, de manera que las limitaciones o exclusiones anteriores podrían no tener aplicación en su caso. Esta garantía le da derechos legales específicos, y usted podría disponer también de otros derechos que varían de un estado a otro y de un país a otro.

El Código Eléctrico Nacional (en los Estados Unidos) y códigos similares en otros países requieren un Interruptor de circuito de falla de conexión a tierra (GFCI) para ser instalado en el circuito secundario que suministra equipo de fuente calibrado por encima de 15 voltios. En el almacén se encuentran GFCI de 115 voltios (con varias longitudes de cable), y recomendamos que cada bomba sea usada con un GFCI.

**For parts or repair, please contact 1.888.572.9933
For technical assistance, please contact 1.888.956.0000**

**Pour des parties ou la réparation,
entrez s'il vous plaît en contact 1.888.572.9933
Pour l'aide technique, entrez s'il vous plaît en contact 1.888.956.0000**

**Para partes o la reparación,
por favor póngase en contacto 1.888.572.9933
Para la ayuda técnica, por favor póngase en contacto 1.888.956.0000**

**www.LittleGiantPump.com
CustomerService-WTS@fele.com**