

# Rule Shower Drain Box

800 & 1100 GPH - AUTOMATIC SHOWER & SINK DRAIN SUMP BOX



**Our new shower drain box provides ultimate pumping performance, which helps keep your boat clear of nuisance water, building on the genuine Rule design.**

Rigorous engineering and testing helped generate the new series of Rule automatic shower and sink drain systems. Our products are tested to the highest standard, providing better efficiency for the toughest applications.

The new Rule shower drain systems have been designed to meet the needs of installers and end users. As well as reliable, fully automatic operation, the new Rule shower box is simple to install, has a sealed clip-on lid to prevent unwanted water splash and is fully serviceable without the need for any tools.

#### **Our new designs include:**

- **Powerful 800 GPH or 1100 GPH pump** – High capacity pump to cope with incoming grey water
- **Sealed polycarbonate lid** – Tough impact resistant material with gasket to prevent water splash
- **Fast Fix System** – Lid, pump, filter and float switch can be removed and serviced without tools
- **Threaded Port Fittings** – Improves installation by offering several combinations of port fittings including 3/4" (19mm), 1" (25mm), 1-1/8" (29mm), straight and 90° elbow fittings
- **Simple Installation** – Easy access side rails plus additional rear bracket option
- **Back Flow Prevention** – Reduces the amount of water that can siphon back to shower box

**The Rule brand builds on over 50 years of operational excellence and application expertise with a broad range of solutions for the marine industry.**



ISO 8849 Marine (Electric bilge pumps)  
ISO 8846 Marine (Ignition protection)



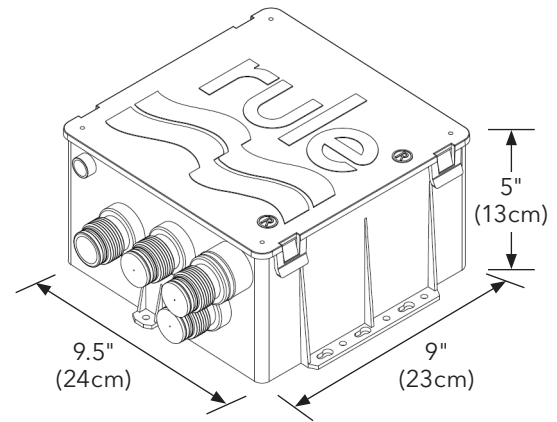
Rule...The world's most trusted pumps™

# Rule Shower Drain System

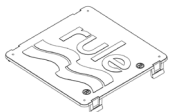

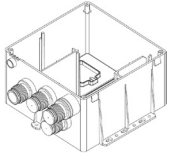
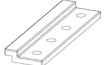
Nominal GPH/LPH	Model No.	Volts	Amps @ (V)		Ports	Check Valve	Discharge Hose Dia.	UPC
800 (3028)	98B	12 DC	2.9 (12V)	3.5 (13.6V)	YES	YES	3/4" (19mm)	042237-106551
800 (3028)	98B-24	24 DC	1.5 (24V)	1.8 (27.2V)	YES	YES	3/4" (19mm)	042237-106568
1100 (4164)	99B	12 DC	3.7 (12V)	4.5 (13.6V)	YES	YES	1-1/8" (29mm)	042237-106575
1100 (4164)	99B-24	24 DC	1.8 (24V)	2.2 (27.2V)	YES	YES	1-1/8" (29mm)	042237-106582

## Flow – GPH (LPH)

GPH Series	@ 0ft 0m - 0kPa	@ 3.3ft 1m - 10kPa	@ 6.7ft 2m - 20kPa	Max. Head Height
800	957 (3617)	677 (2557)	439 (1658)	12' (3.7m)
1100	1145 (4329)	831 (3140)	504 (1903)	10' (3m)



## Replacement Parts

	Description	Replacement Part No.
(a) 	Cover With Gasket (a)	1242R
	Gasket Only (not shown)	1243R
(b) 	Strainer (b)	1244R
(c) 	Shower Drain Box Only (c)	1245R
	Rear Mounting Bracket (d)	1246R
	800 GPH Replacement Pump - 12V	20DA
	800 GPH Replacement Pump - 24V	20DA-24
	1100 GPH Replacement Pump - 12V	27DA
	1100 GPH Replacement Pump - 24V	27DA-24
(d) 	Float Switch	35A or 37A



Warranty: All products of the company are sold and all services of the company are offered subject to the company's warranty and terms and conditions of sale, copies of which will be furnished upon request. The information provided herein is for guidance only, it does not constitute a guarantee of the performance or specification of any individual product or component.

[marine.xylem.com](http://marine.xylem.com)

**USA**  
Xylem Inc.  
100 Cummings Center  
Suite 535N Beverly MA, 01915  
Tel: (978) 281-0440  
Fax: (978) 283-2619

**UK**  
Xylem Inc.  
Bingley Road, Hoddesdon  
Hertfordshire EN11 0BU  
Tel: +44 (0) 1992 450145  
Fax: +44 (0) 1992 467132

**GERMANY**  
Xylem Inc.  
Oststrasse 28  
22844 Norderstedt  
Tel: +49-40-53 53 73-0  
Fax: +49-40-53 53 73-11

**PHILIPPINES**  
Xylem Inc.  
12 Ring Road, LISP II  
Brgy. Lamesa, Calamba City 4027  
Tel: 63 (49) 5434341  
Fax: 63 (49) 5456817

**CHINA**  
Xylem Inc.  
30/F Tower A, 100 Zunyi Road  
Shanghai, China 200051  
Tel: +86-21-2208-2888  
Fax: +86-21-2208-2999

**ITALY**  
Xylem Inc.  
Via Tommaseo, 6 20059  
Vimercate, Milano  
Tel: +39 039 685 2323  
Fax: +39 039 666 307