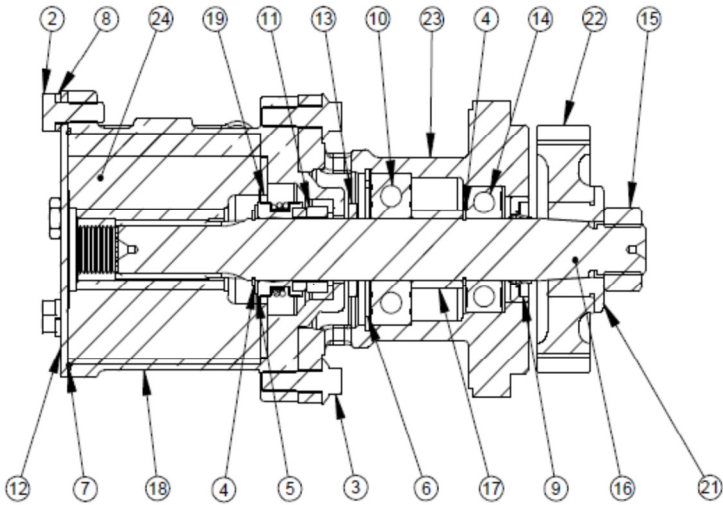


G2607X - Pump less the connected port elbows (for inlet and outlet).



| ITEM NO | PART NUMBER | DESCRIPTION | G2607X / QTY. |
|---------|-------------|-------------------------------------|---------------|
| 1 | 00339 | 1/4" NPT PIPE PLUG | 2 |
| 2 | 19826 | SCREW HEX HD | 3 |
| 3 | 19708 | SCREW HEX FLANGE HEAD | 4 |
| 4 | 19762 | RING RETAINING EXTERNAL | 2 |
| 5 | 19866 | WASHER- SPACER | 1 |
| 6 | 19867 | RING RETAINING INTERNAL | 1 |
| 7 | 19879 | O- RING | 1 |
| 8 | 21573 | M8 LOCKWASHER | 3 |
| 9 | 23045 | LIP SEAL CW | 1 |
| 10 | 23489 | BALL BEARING 6000-001000 | 1 |
| 11 | 23837 | MECHANICAL SEAL | 1 |
| 12 | 24074 | COVERPLATE | 1 |
| 13 | 24079 | SLINGER | 1 |
| 14 | 24082 | BALL BEARING 6000-001000 | 1 |
| 15 | 24084 | HEX NUT | 1 |
| 16 | 24103 | SHAFT | 1 |
| 17 | 24104 | SPACER | 1 |
| 18 | 24789 | HOUSING | 1 |
| 19 | 24790 | WEAR PLATE | 1 |
| 20 | 24840 | SCREW 1/4-20 X 3/8, FLAT HD, SHCS | 2 |
| 21 | 25140 | INSERT | 1 |
| 22 | 25141 | GEAR | 1 |
| 23 | 25142 | BODY | 1 |
| 24 | 26000 | IMPELLER | 1 |

Repair Kits

26000K - Impeller Kit (26000 Impeller and 19879 O-ring)

25214 - Minor Kit

25215 - Major Kit

G2607-01 – shows/includes connected port elbows (for inlet and outlet).

