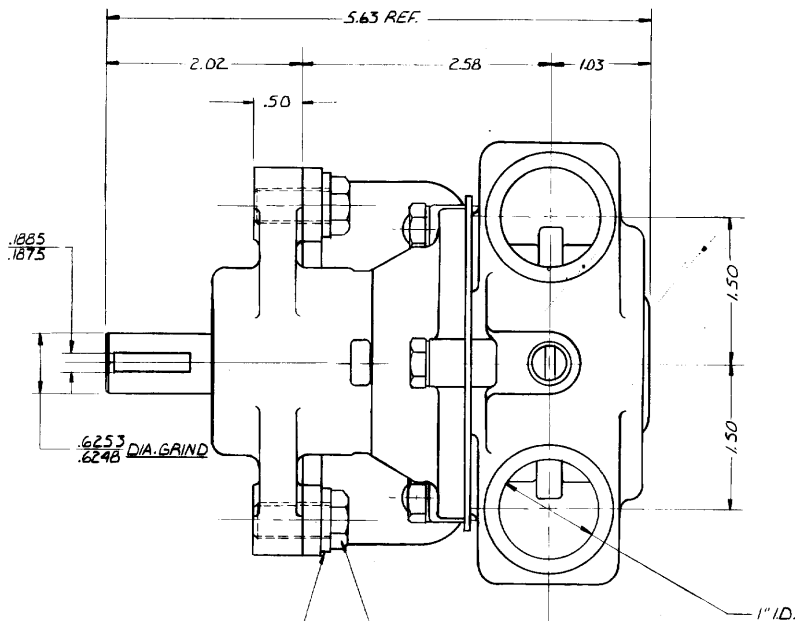
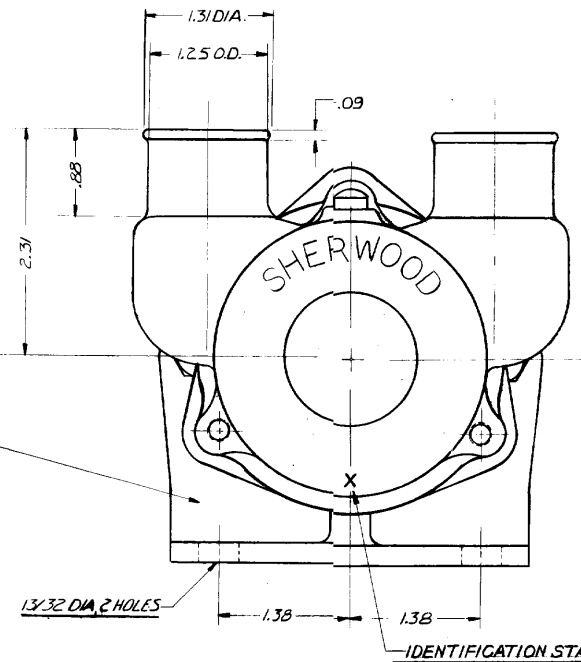
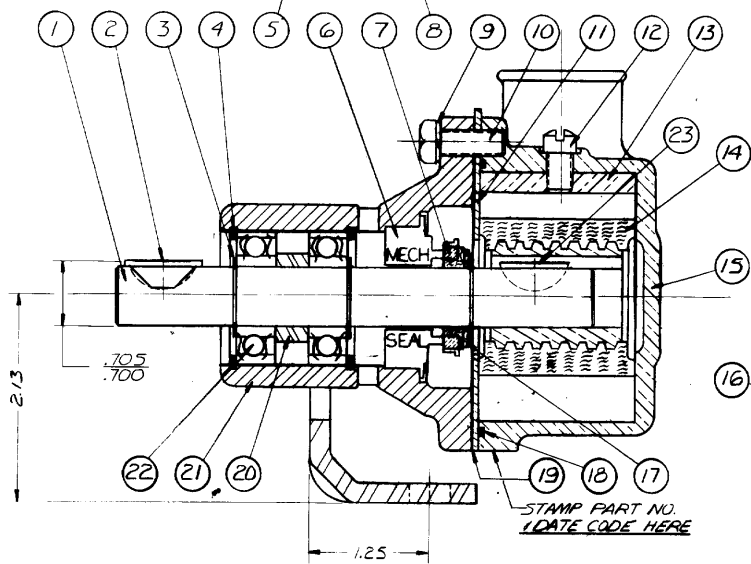
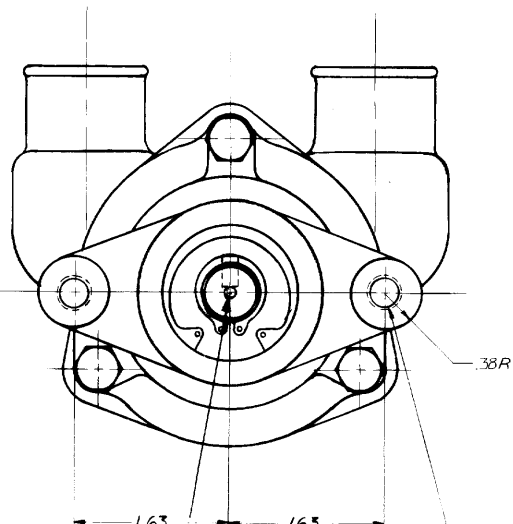


PARTS LIST

| ITEM | PART NO. | DESCRIPTION | REQ'D |
|------|----------|----------------------|-------|
| 1 | 11877 | SHAFT | 1 |
| 2 | 12622 | NO. 9 NON-ROK KEY | 1 |
| 3 | 4258 | RET. RING EXT. | 3 |
| 4 | 4259 | RET. RING INT. | 2 |
| 5 | 4991 | 3/8 STD. LOCKWASHER | 2 |
| 6 | 12314 | MECH SEAL | 1 |
| 7 | 12256 | SEAL SEAT | 1 |
| 8 | 11633 | CAPSCREW 3/8-16x3/4 | 2 |
| 9 | P-12710 | 1/4 LIGHT LOCKWASHER | 3 |
| 10 | 12857 | CAPSCREW 1/4-20x7/8 | 3 |
| 11 | 12856 | END PLATE | 1 |
| 12 | 10515 | SCREW 1/4-20x3/8 | 1 |
| 13 | 10944 | CAM (188) | 1 |
| 14 | 10615 | IMPELLER | 1 |
| 15 | 12907 | HOUSING | 1 |
| 16 | 12393 | MOUNTING BRACKET | 1 |
| 17 | 4264 | THRUST WASHER | 1 |
| 18 | 12231 | "O" RING | 1 |
| 19 | 12855 | GASKET | 1 |
| 20 | 5153 | SPACER BRG | 1 |
| 21 | 12227 | BODY | 1 |
| 22 | 12211 | BALL BRG. | 2 |
| 23 | 4432 | NO. 9 WOODRUFF KEY | 1 |
| 24 | 17653 | JIFFY BAG N#5 | 1 |
| 25 | 17659 | CARTON Y | 1 |
| 26 | 12209 | LABEL | 1 |



| SERVICE ASS'Y NO.'S | COMPONENT ITEM NO.'S |
|---------------------------------|----------------------|
| (E) SEAL & SEAT ASS'Y NO. 12859 | 6E7 |
| MAJOR REPAIR KIT | NO. 12734 |
| MINOR REPAIR KIT | NO. 12394 |



CENTER DRILL MARK (THIS END)

3/8-16 NC. TAP 2 HOLES

FLOW CURVE: 71035R-71036R

UNLESS OTHERWISE SPECIFIED TOLERANCE TO BE

| | |
|---|--------|
| MACHINED DIMENSION | ± .020 |
| FRACTIONAL ± .010 | |
| DECIMAL ± .005 | |
| ANGLES ± 1/2° | |
| MACHINED SURFACE ROUGHNESS | J |
| ALLOW 1/16 STOCK ON ALL FINISHED SURFACES FOR MACHINING | |
| BREAK ALL SHARP EDGES .010 MAX | |
| CAST FILLETS AND RADI 1/16 R | |

SHERWOOD
A DIVISION OF HYPRO CORPORATION
6831 E. JOHNSON AVE. • DETROIT, MICHIGAN 48204

| | | | | |
|-------|---------|---------|----------|--------|
| DRAWN | DATE | CHECKED | DATE | APP'ND |
| R.A. | 11-8-79 | R.B.M. | 11-15-79 | |

TITLE: PUMP ASSEMBLY - RUBBER IMPELLER

MATERIAL: SEE DETAILS DWG NO: G4

| REV | DESCRIPTION | DATE |
|-----|----------------------------|-------------|
| E | 12859 WAS 12322 | SH 7/5/90 |
| D | 17644 WAS 17636 | SA 9/13/89 |
| F | 12907 WAS 11904 | ST 9-29-87 |
| B | 12314 WAS 8388 | SH 11-11-86 |
| A | IDENTIFICATION STAMP ADDED | |

68-704-88