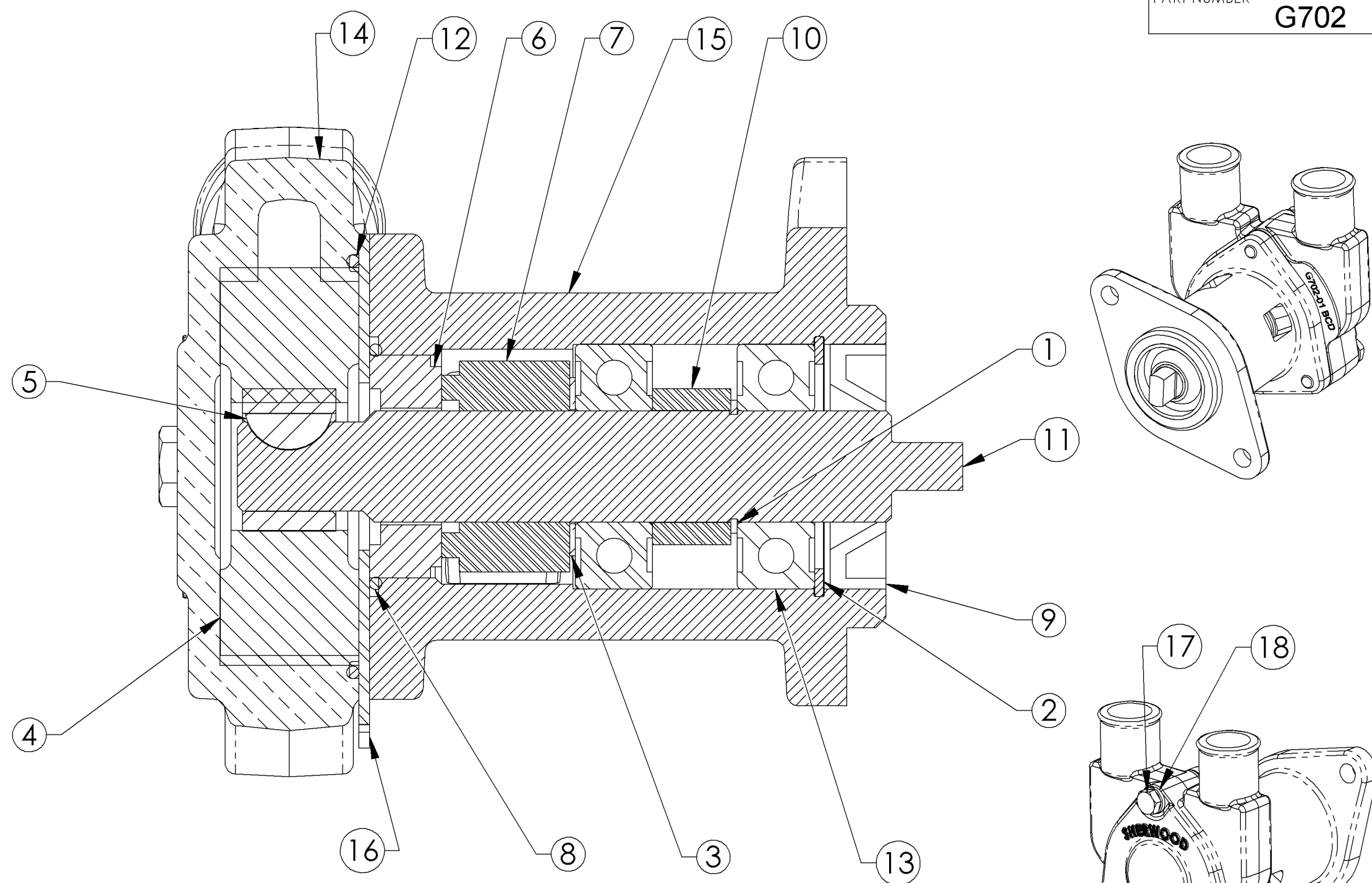
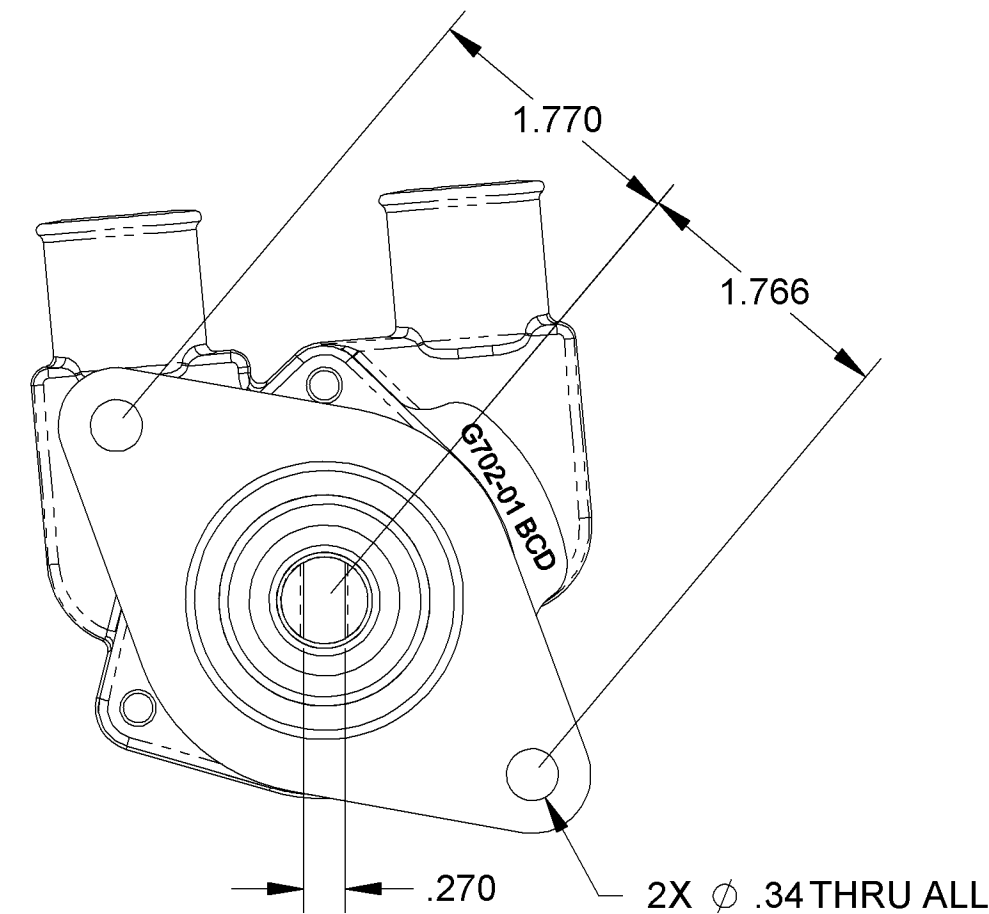
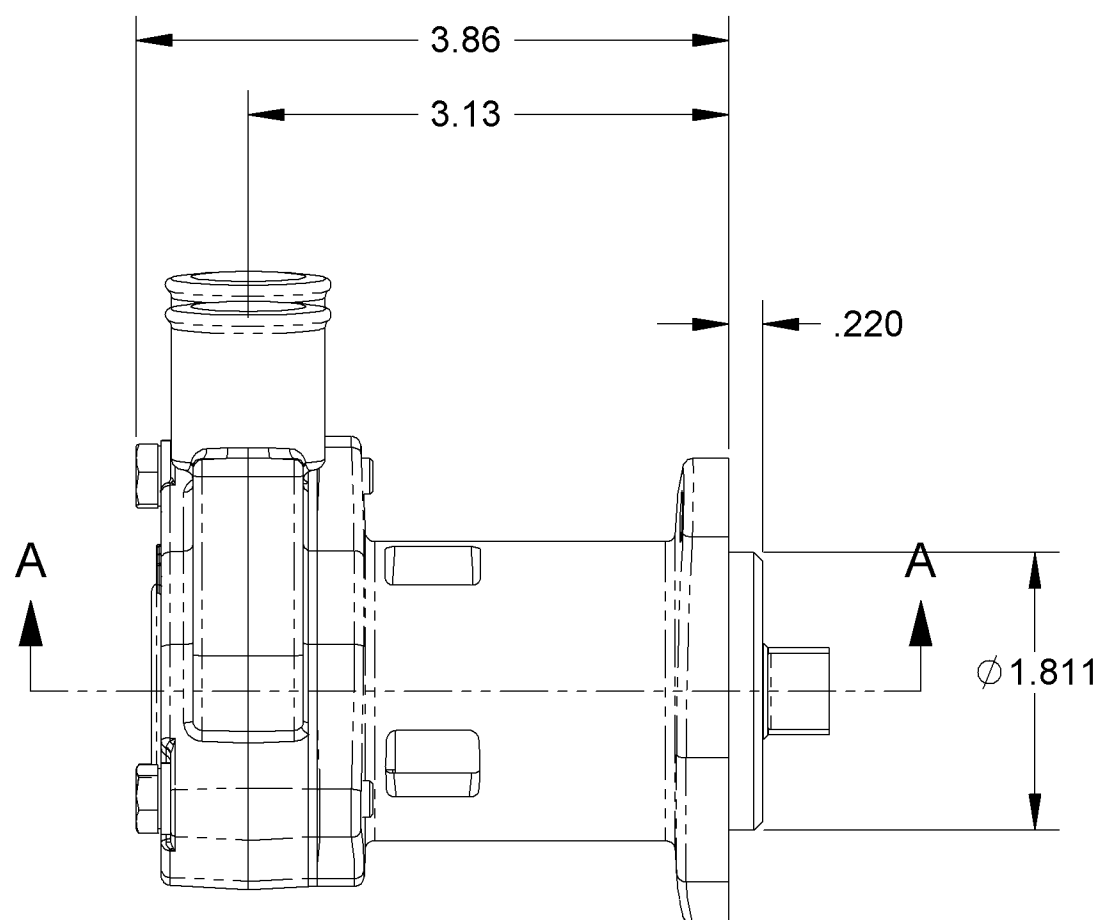
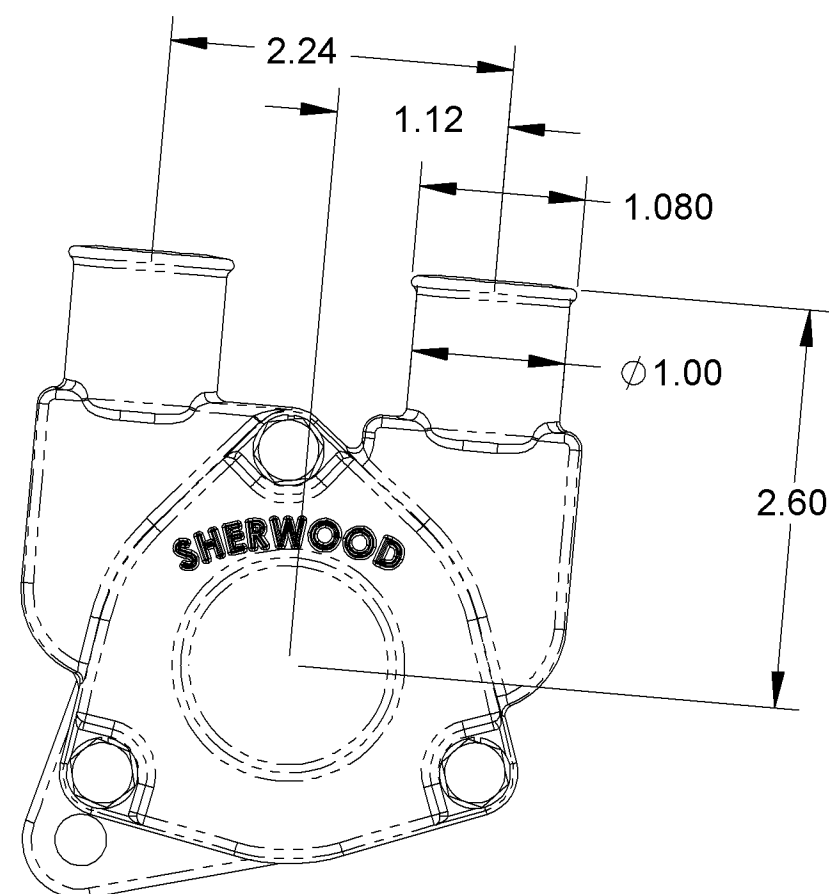


ITEM NO.	G702/QTY.	DESCRIPTION	PART NUMBER
1	1	EXT. RETAINING RING	04258
2	1	INT. RETAINING RING	04259
3	1	FLAT WASHER	04264
4	1	IMPELLER	10077
5	1	WOODRUFF KEY	10093
6	1	SEAL SEAT	10389
7	1	MECHANICAL SEAL	18035
8	1	O-RING	21303
9	1	OIL SEAL	21751
10	1	SPACER	21974
11	1	SHAFT	22769
12	1	O-RING	22770
13	2	BALL BEARING	23448
14	1	HOUSING	24524
15	1	BODY	24525
16	1	WEAR PLATE	24526
17	3	M6-1X35 HEX HEAD CAP SCREW	24537
18	3	LOCK WASHER	24538

PART NUMBER **G702**



SECTION A-A  
SCALE 1.5 : 1



				<b>SHERWOOD</b> A Div. of Hypro Corporation    A WICOR COMPANY 375 Fifth Avenue NW, New Brighton, MN 55112, (651) 766-6300		EXPERIMENTAL PART NO. <b>EX7194-MA1</b>	REV. <b>1</b>
				DRAWING BASED ON ASME Y14.5M-1994    DO NOT SCALE PRINT		ENGRG REL:    DATE:	DWG BY: <b>PBEAR</b> DATE: <b>03/07/05</b>
				THIRD ANGLE PROJECTION    SCALE		THIS DRAWING IS THE PROPERTY OF HYPRO AND WITHOUT WRITTEN AUTHORIZATION, MUST NOT BE COPIED OR COMMUNICATED.	
<b>A</b>	<b>4789</b>	<b>RELEASED</b>	<b>PB</b>	<b>5/16/05</b>	PART DESCRIPTION <b>RUBBER IMPELLER PUMP</b>		PART NUMBER <b>G702</b> REV. <b>A</b>
REV.	ECN	REVISION DESCRIPTION	CHKD	DATE			