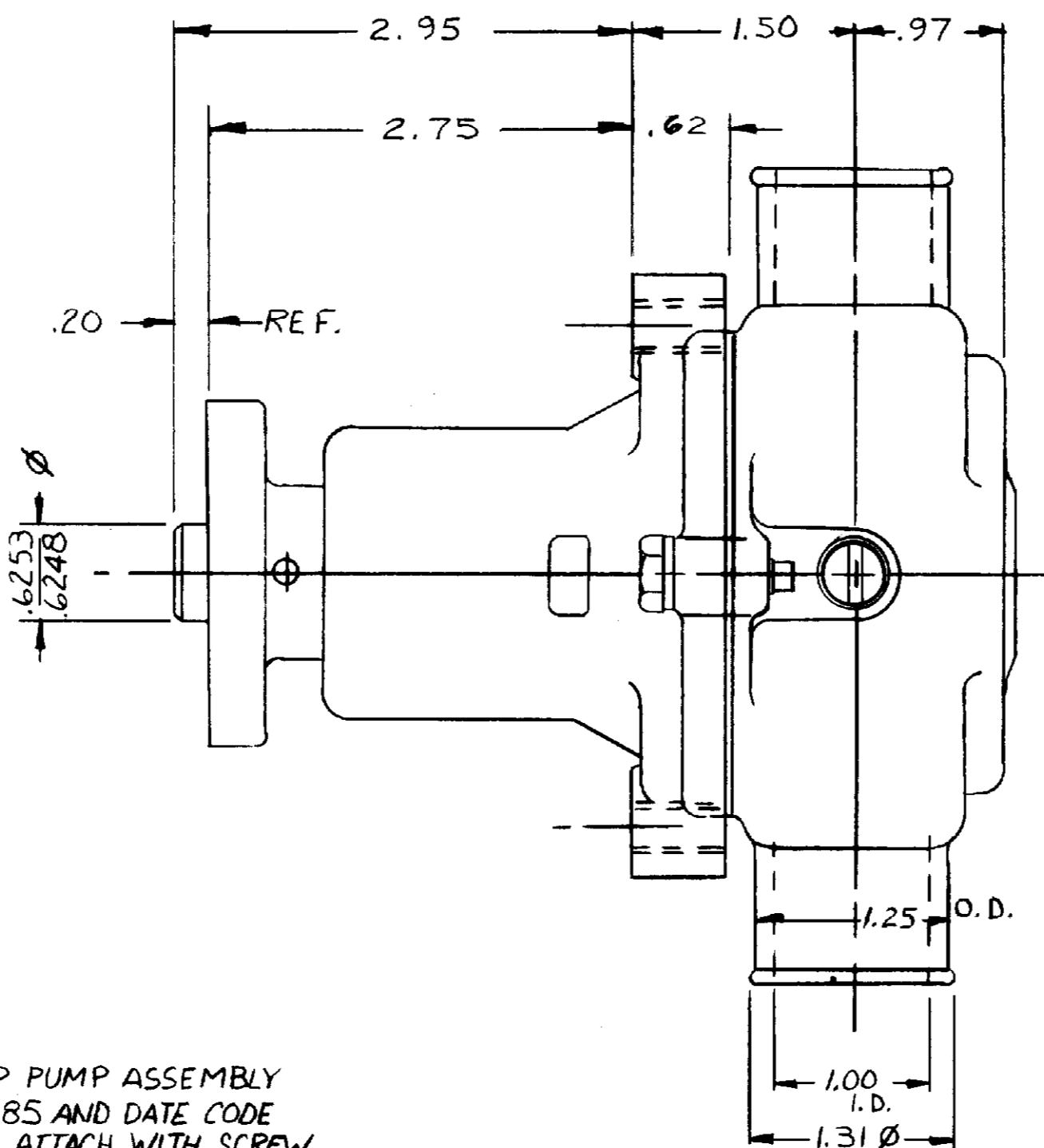


PARTS LIST

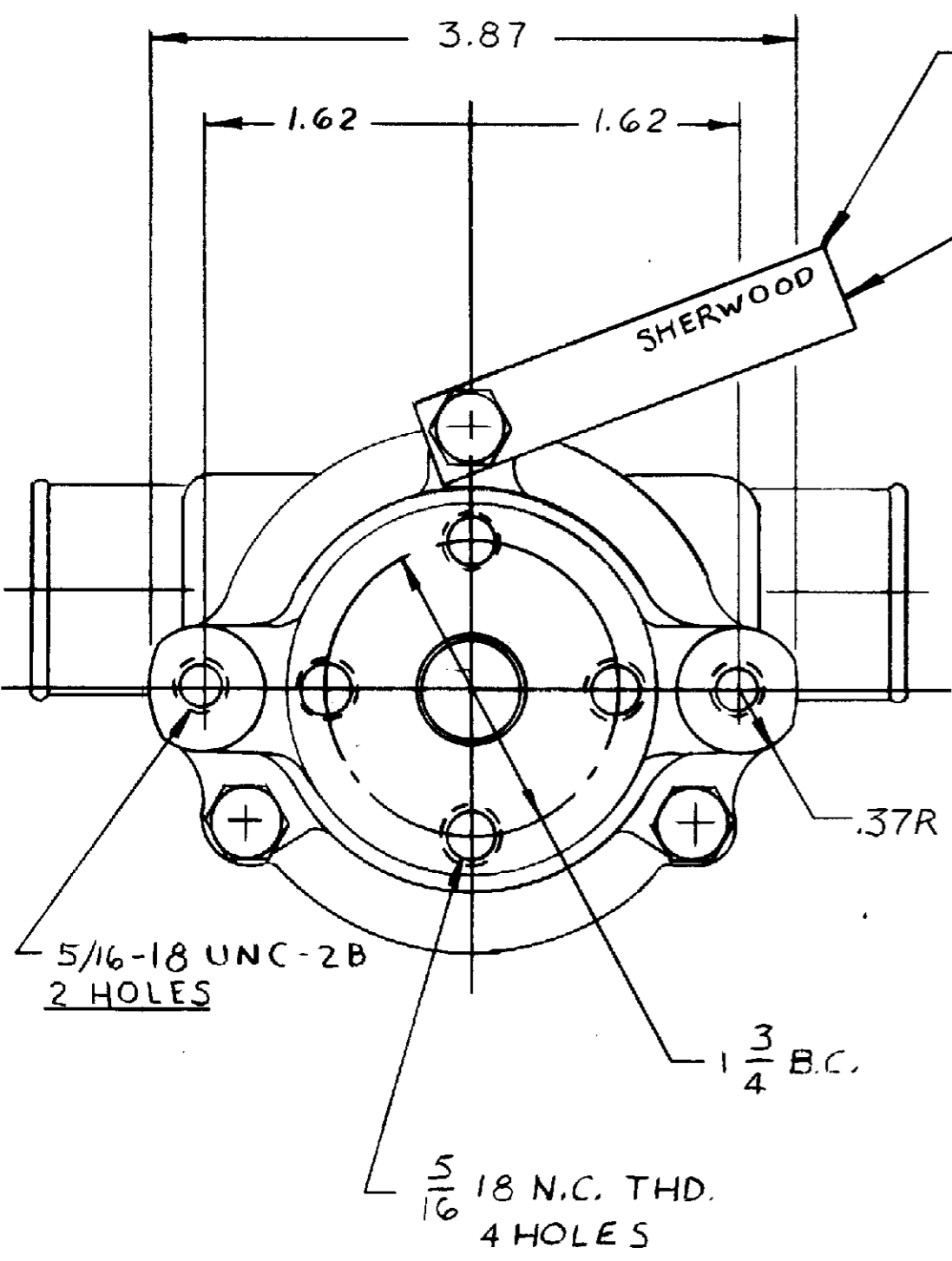
ITEM	PART NO	DESCRIPTION	REQ'D
1	12228	HOUSING	1
2	12231	"O" RING GASKET	1
3	10515	SCREW	1
4	10944	CAM	1
5	4432	DRIVE KEY	1
6	10615	IMPELLER	1
7	4258	RET. RING	3
8	12314	MECH SEAL	1
9	12256	SEAL SEAT	1
10	4264	THRUST WASHER	1
11	12856	END PLATE	1
12	12328	BODY	1
13	12857	CAPSCREW	3
14	12710	LOCKWASHER	3
15	4259	RET. RING	2
16	12596	SHAFT	1
17	12211	BALL BRG.	2
18	5133	SPACER-BRG	1
19	9420	PIN	1
20	10769	SHEAVE BRACKET	1
21	12855	GASKET	1
22	13285	TAG	1
23			

G-85

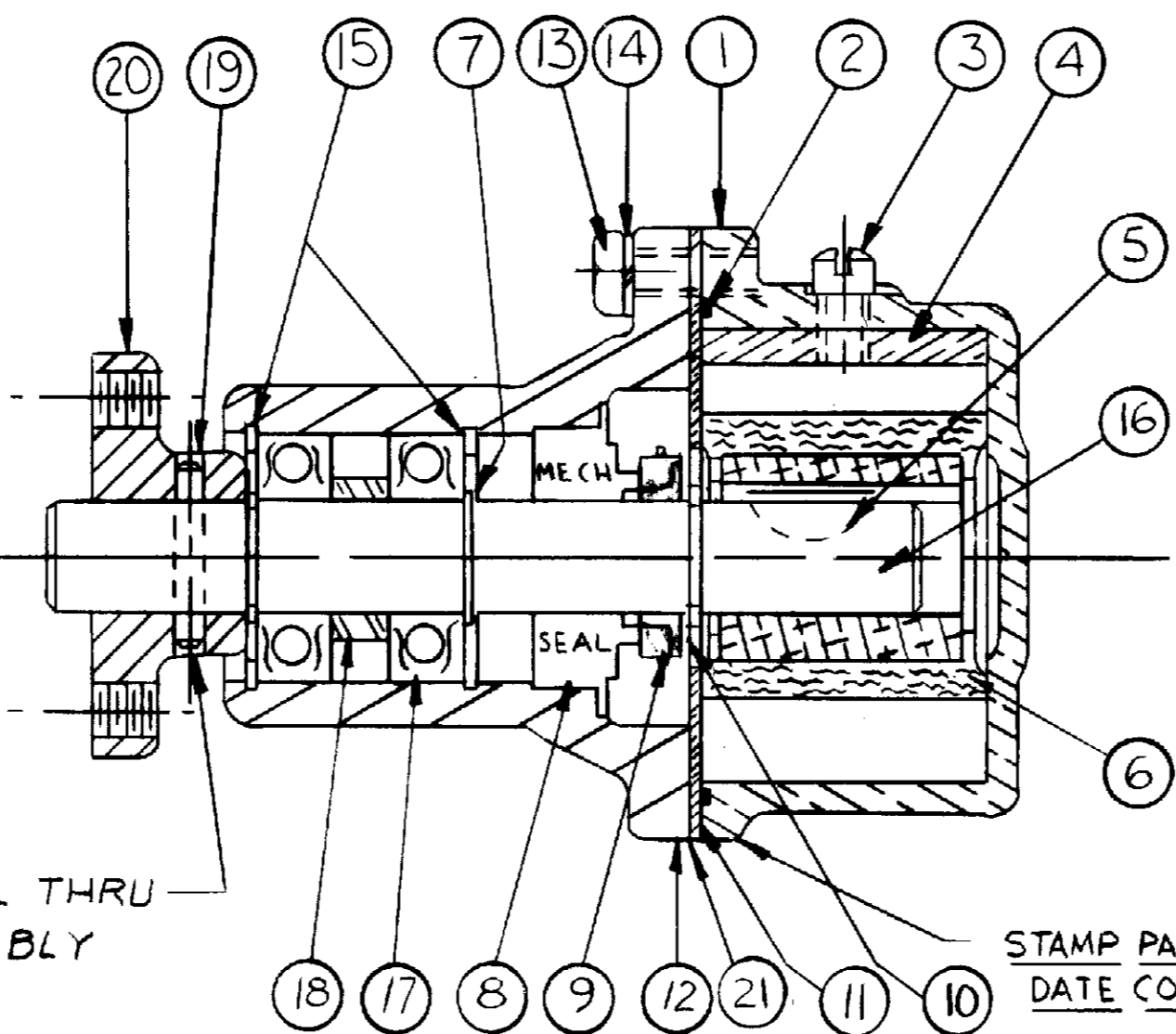
SERVICE ASS'Y NO	COMPONENT ITEMS
① SEAL & SEAT ASS'Y NO 12859	8 & 9
MINOR SERVICE KIT NO 12394	
MAJOR REPAIR KIT NO. 12794	



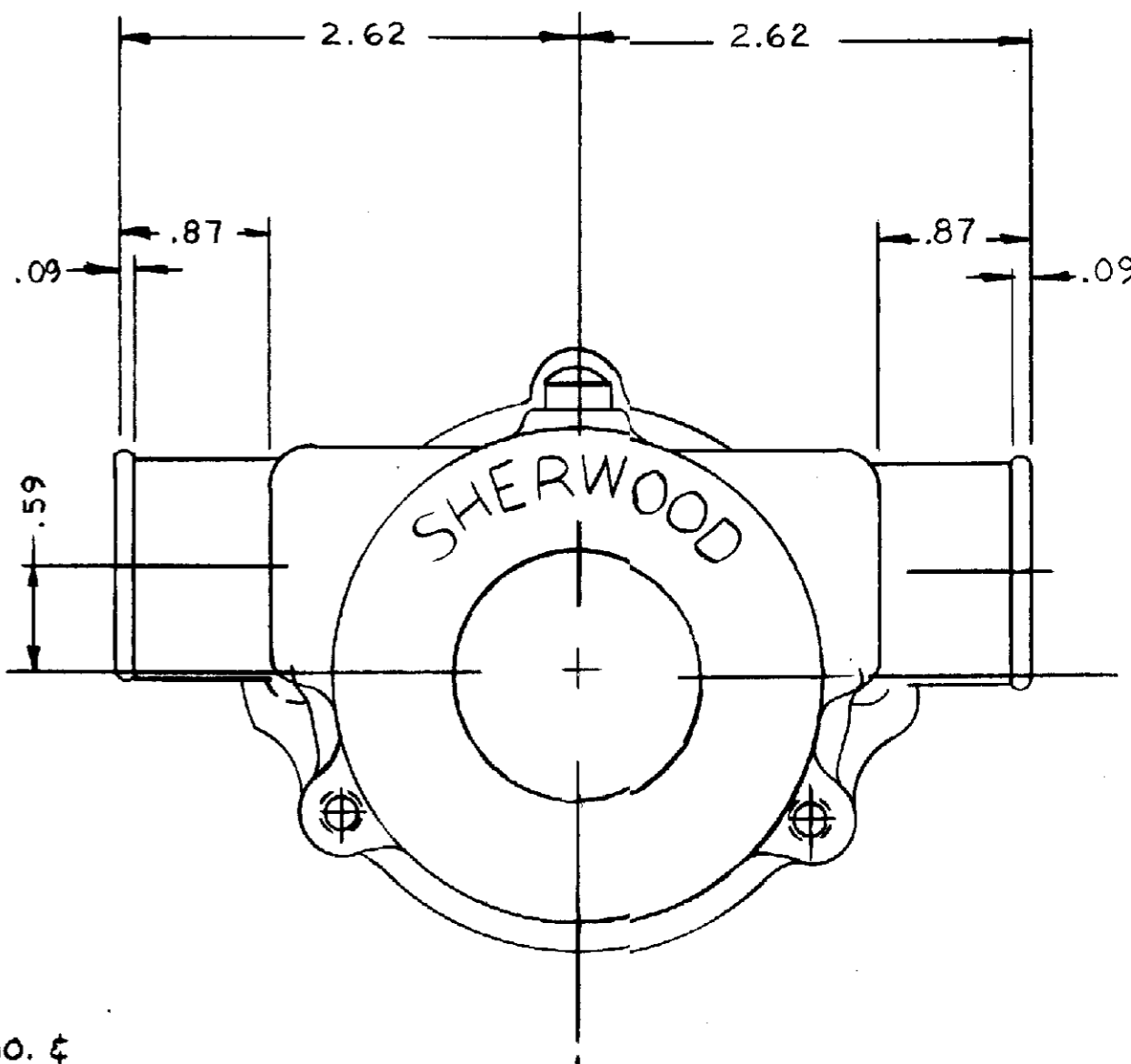
PACKAGING:
 NR 17659 BOX 1 REQ'D
 17653 JIFFY BAG 1 REQ'D
 12209 LABEL 1 REQ'D



STAMP PUMP ASSEMBLY NO. G-85 AND DATE CODE ON TAG. ATTACH WITH SCREW.



STAMP PART NO. & DATE CODE HERE



ESCORT # DSMZ 8502

FLOW CURVE # 71036R

REV	DESCRIPTION	APPR	DATE
D	12859 WAS 12322	SH	7/5/80
C	17659 WAS 17859	SH	9/13/84
B	LDGD REVISED	SH	10-1-86
A	REDRAWN	KB	8-26

UNLESS OTHERWISE SPECIFIED
 CAST DIMENSIONS ± .02
 FILLETS & RADII .06
 FINISH STOCK .07
 MACHINING TOLERANCE, INCHES
 XX ± .01, XXX ± .005
 SURFACE ROUGHNESS
 ANGLES ± 0° 30'
 CORNER BREAKS .01 MAX.
 || PARALLISM .001
 ▭ FLATNESS .001
 ⊥ SQUARNESS .001
 ⊙ CONCENTRICITY .001
 ○ ROUNDNESS .0002
 ↻ RUNOUT .001

SHERWOOD
 A DIVISION OF HYPRO CORPORATION
 6331 E. JEFFERSON AVE. - DETROIT, MICHIGAN 48207

DRAFTSMAN	DATE	CHECKER	DATE	ASSY NO.
KB	8-5-86			

TITLE
PUMP ASSEMBLY

MATERIAL
 SEE DETAILS

DWG. NO.
G-85