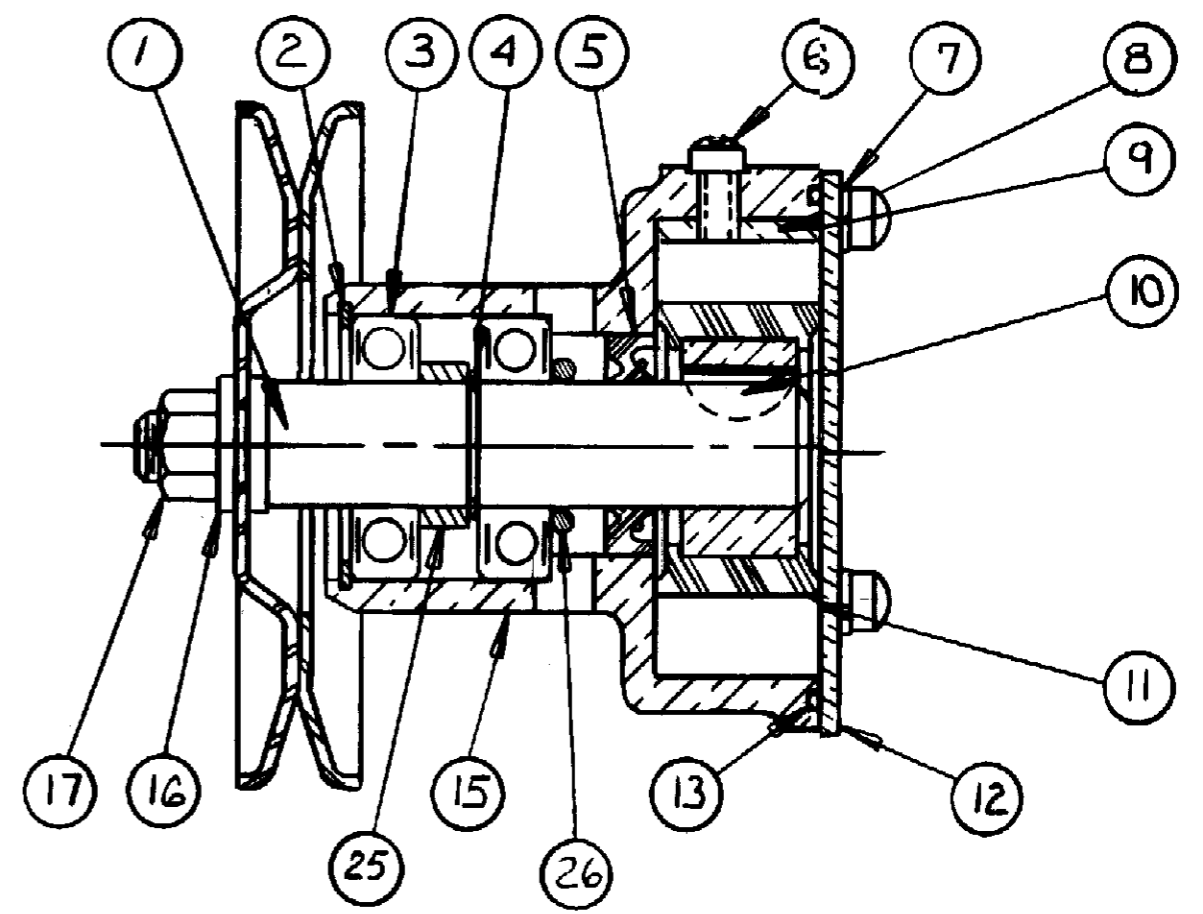
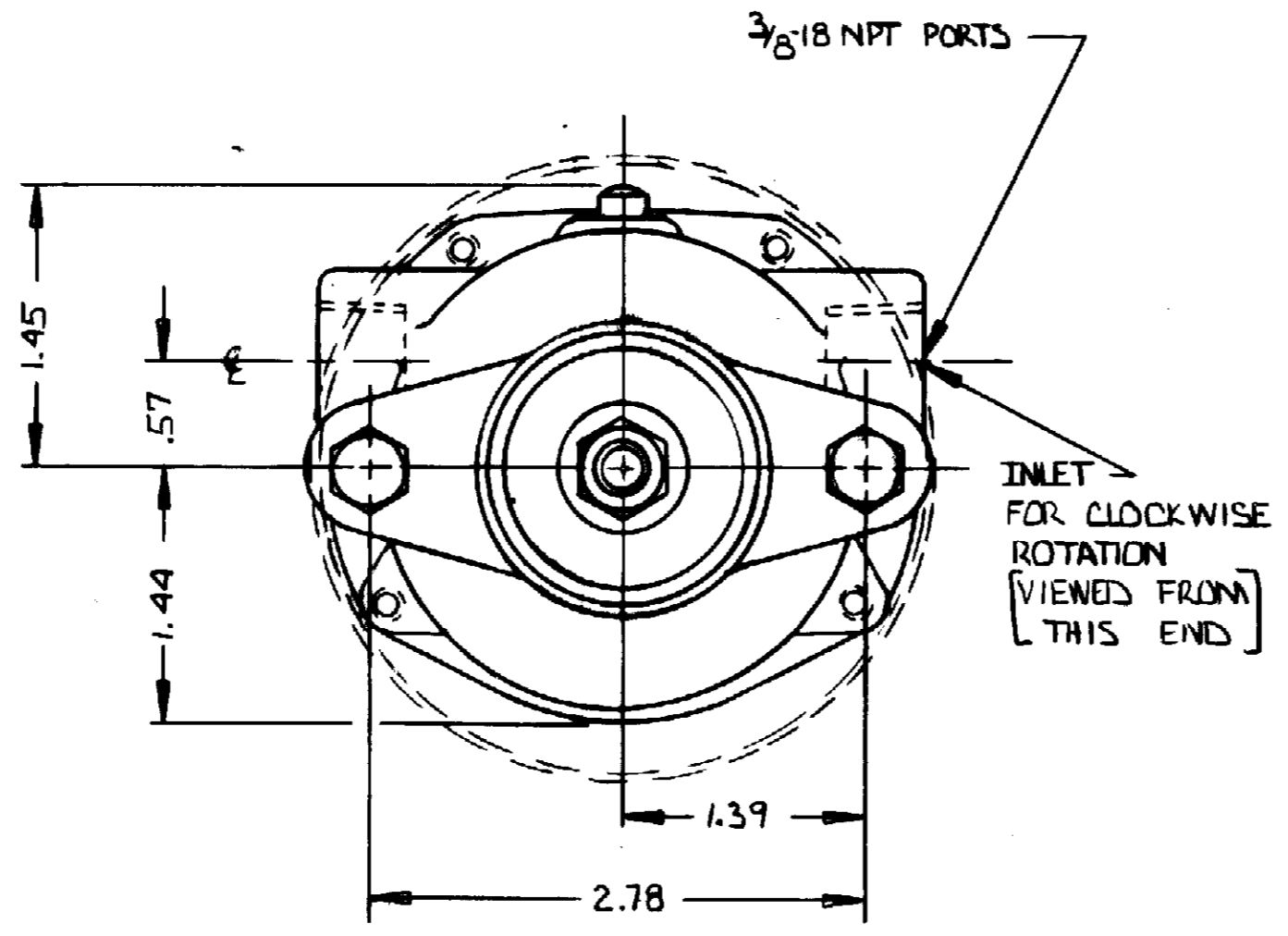
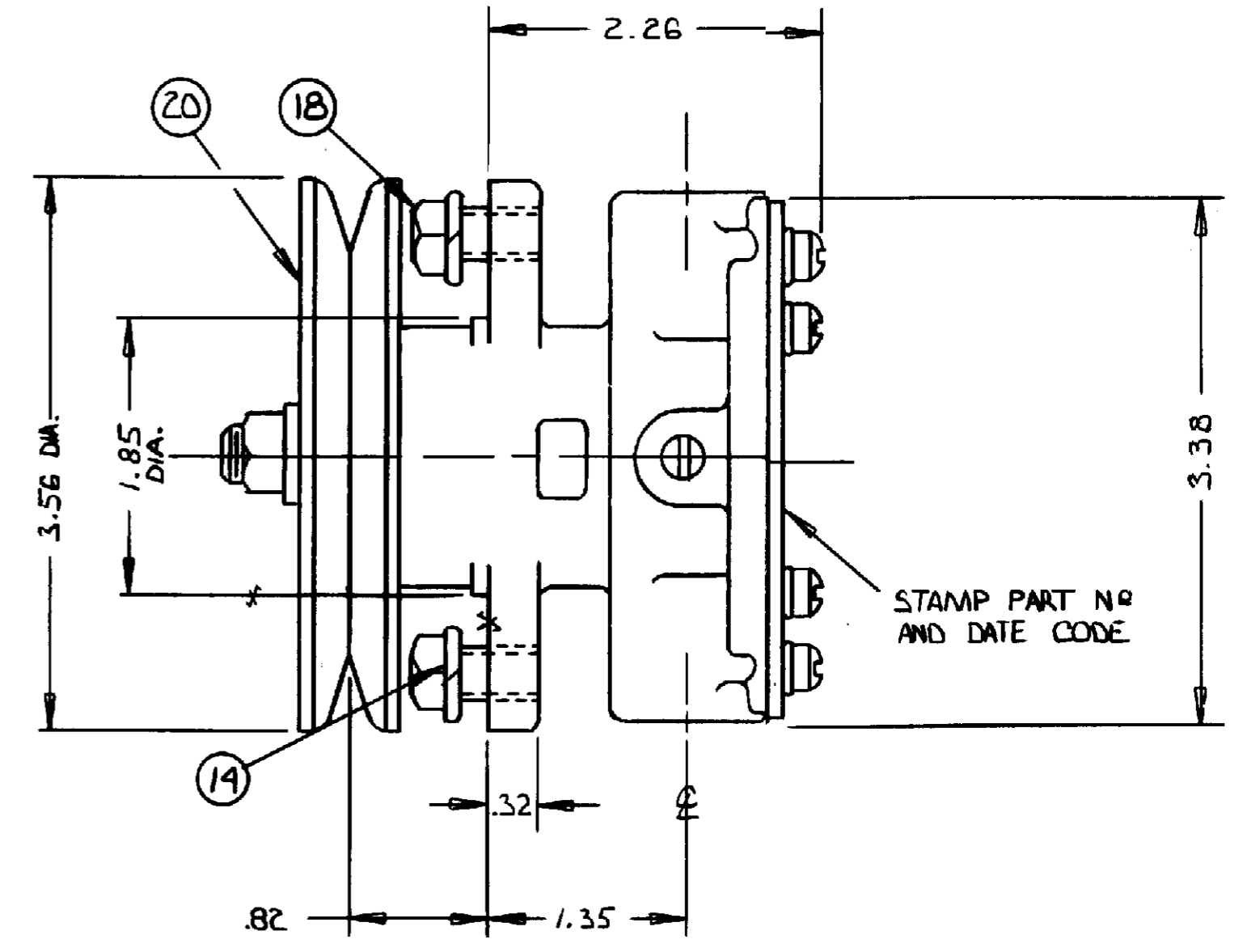


PARTS LIST

ITEM	PART NO	DESCRIPTION	REQ'D.
1	18569	SHAFT	1
2	4259	INT. RET. RING	1
3	12211	BALL BEARING	2
4	4258	EXT. RET. RING	1
5	18570	LIP SEAL	1
6	10195	CAM SCREW	1
7	343	*10 LOCKWASHER	4
8	12686	*10-24 SLOTTED MACHINE SCREW	4
9	18663	CAM	1
10	13777	NO 61 NON-ROK KEY	1
11	9000	RUBBER IMPELLER	1
12	19965	COVER	1
13	19964	O-RING	1
14	18574	5/16 LOCK WASHER	2
15	19963	HOUSING	1
16	18571	FLAT WASHER	2
17	18572	LOCKNUT - 5/16-20	1
18	18573	5/16 HEX. CAPSCREW	2
19	18449	PLASTIC PIPE PLUG	2
20	19967	PULLEY	1
21	17644	BOX	1
22	14474	JIFFY BAG #3	1
23	12209	LABEL	1
24	21474	SERVICE KIT	1
25	10254	SPACER	1
26	6602	O-RING	1

(A)
(A)
(A)
(B)
(C)
(D)



- NOTES:
- 1) APPLY PERMATLEX FORM-A GASKET No 1 (HARD SETTING) SEALANT TO THREADS AND BASE OF HEAD OF ITEM No 6 PRIOR TO INSTALLATION.
 - 2) TIGHTEN DETAIL No 17 TO 15-17 Ft.-lbs (180-204 in.-lbs) OF TORQUE DURING INSTALLATION.

REV	DESCRIPTION	APPR	DATE
D	ADDED O-RING	TLG	12-19-91
C	ADDED SPACER	TLG	1-14-91
B	ADDED SERVICE KIT	DA	7-21-93
A	ADDED BOXING MAT'L.	KRS	5-12-92

UNLESS OTHERWISE SPECIFIED
 CAST DIMENSIONS ± .02
 FILLETS & RADII .06
 FINISH STOCK .07
 MACHINING TOLERANCE, INCHES
 XX ± .01, XXX ± .005
 SURFACE ROUGHNESS
 ANGLES ± 0° 30'
 CORNER BREAKS .01 MAX.

□ FLATNESS .0015 IN/IN
 ⊥ SQUARENESS .0015
 ○ CONCENTRICITY .002
 ○ ROUNDNESS .0005
 ↗ RUNOUT .002

SHERWOOD
 A DIVISION OF HYPRO CORPORATION
 6331 E. JEFFERSON AVE. • DETROIT, MICHIGAN 48207

DRAFTSMAN	DATE	CHECKER	DATE
KRS	5-22-92	BAM	5-23-92

TITLE
 RUBBER IMPELLER PUMP

MATERIAL
 SEE DETAILS

DWG. NO.
 G906P