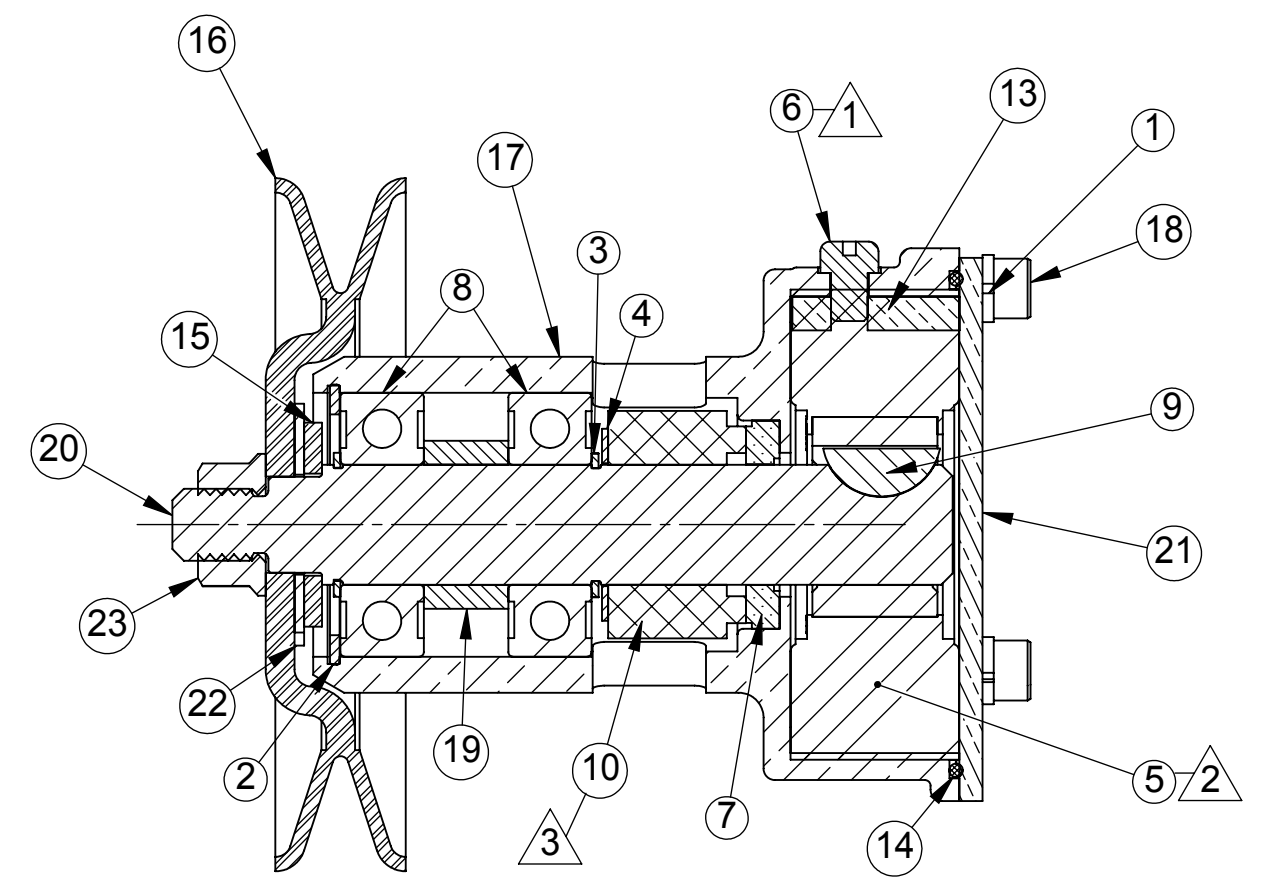
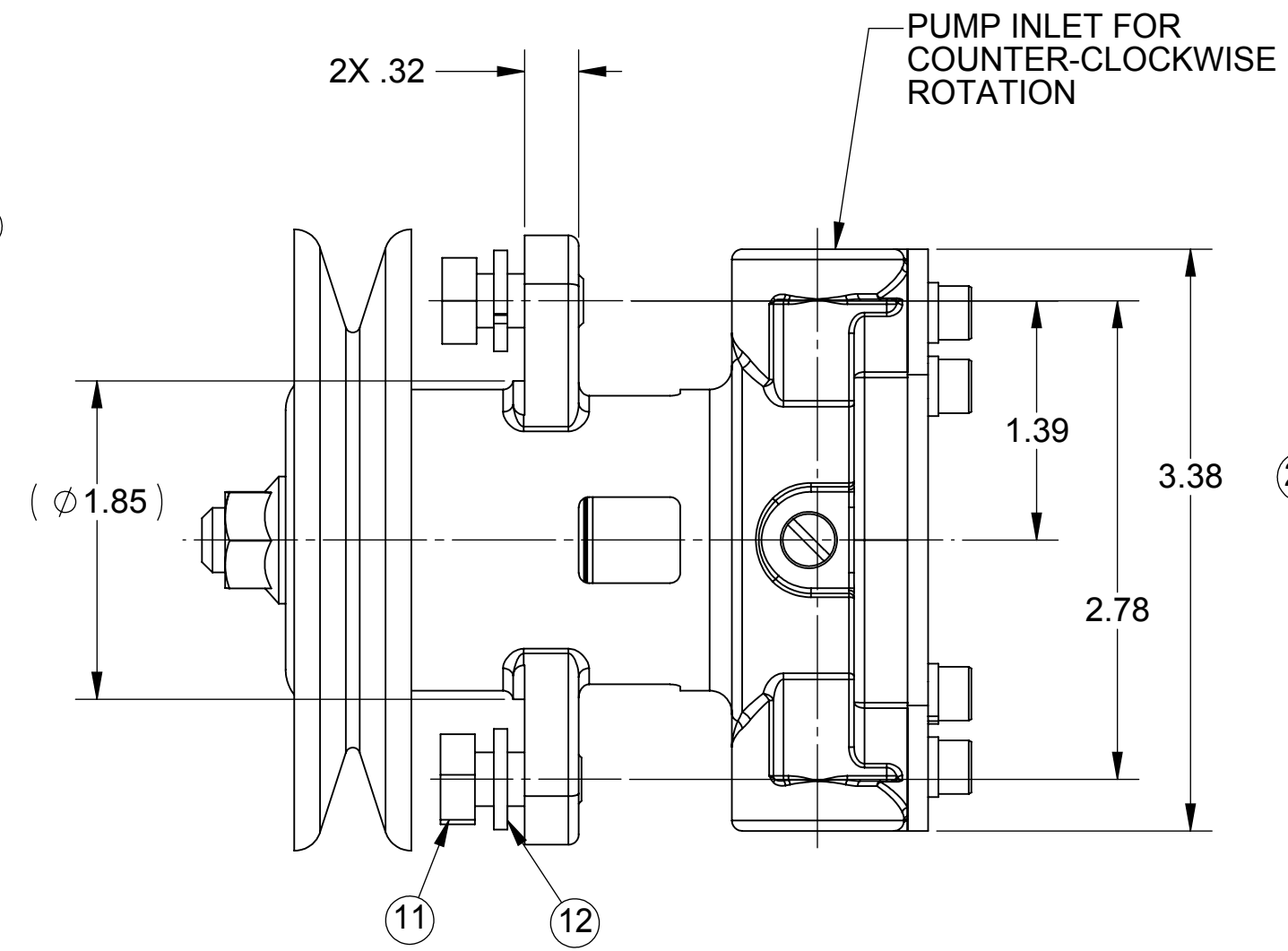
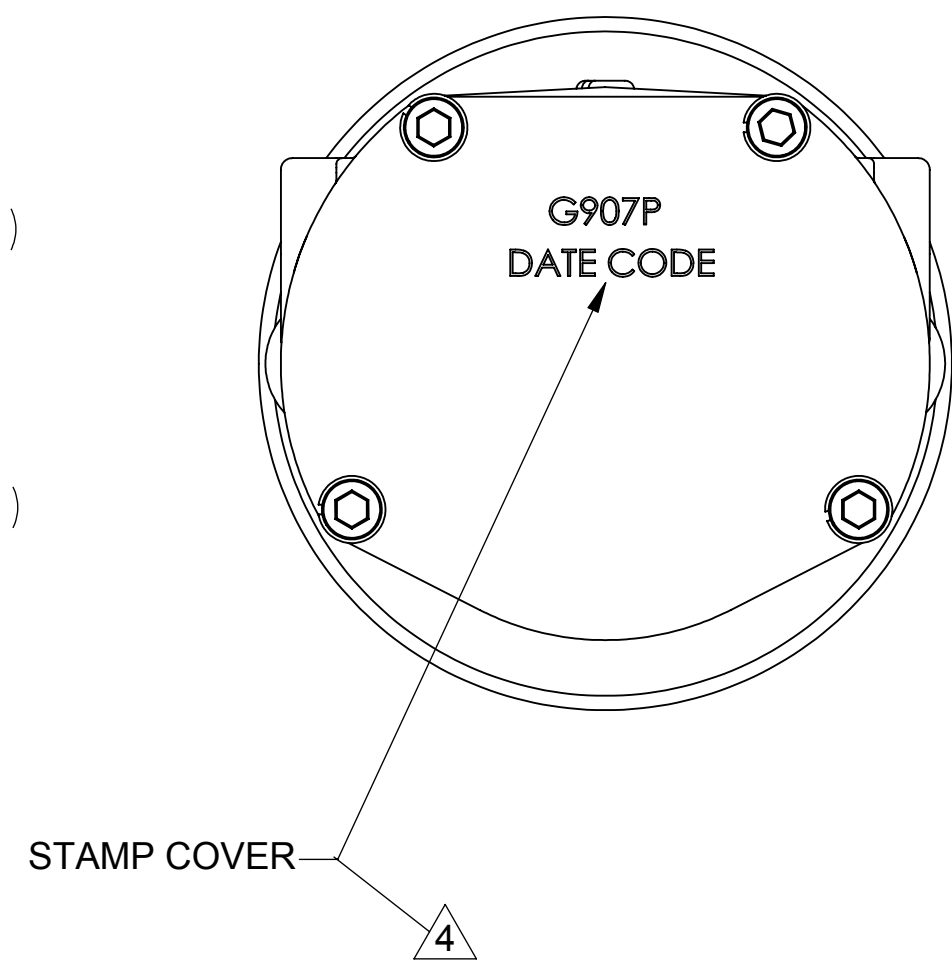
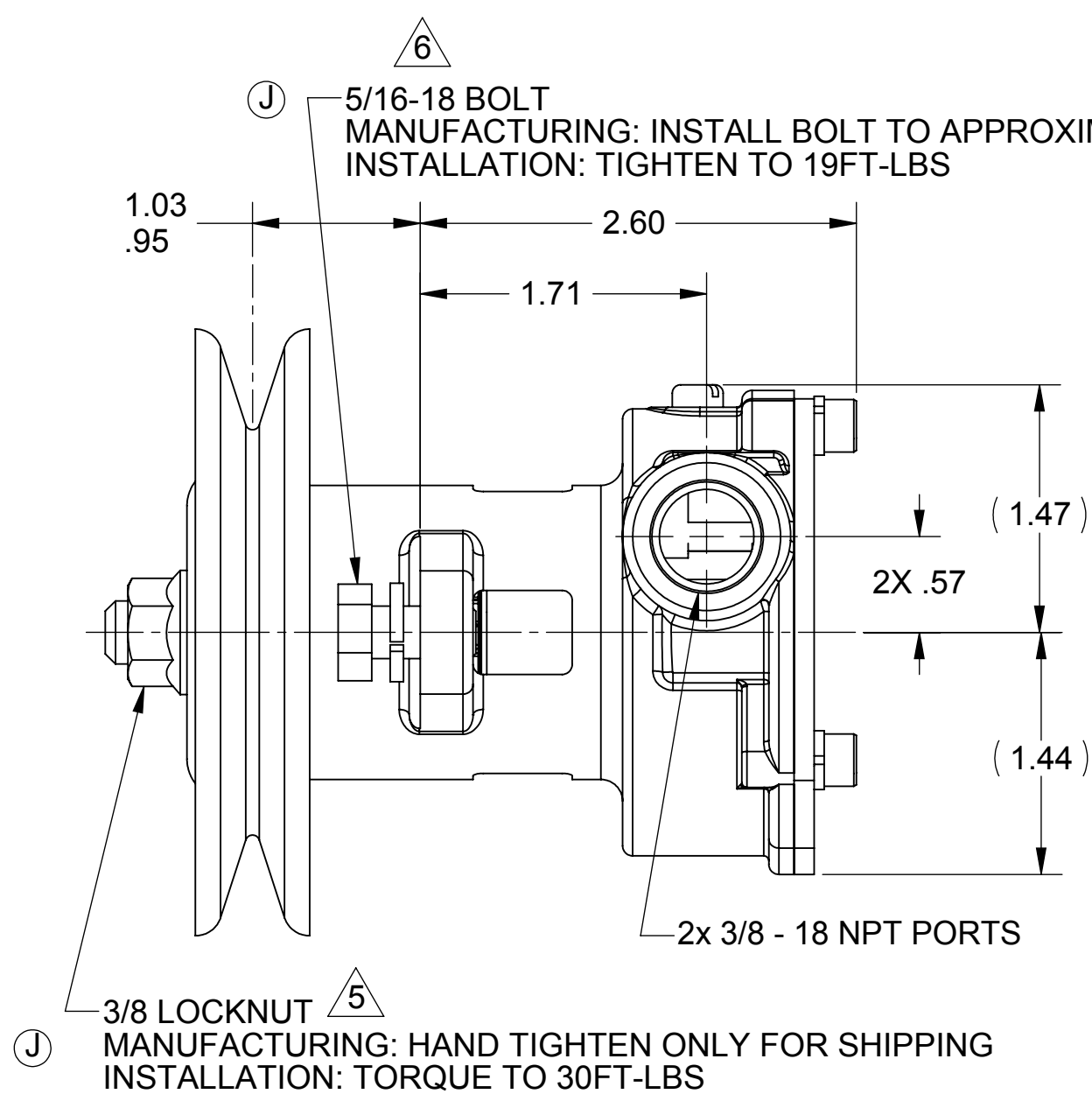
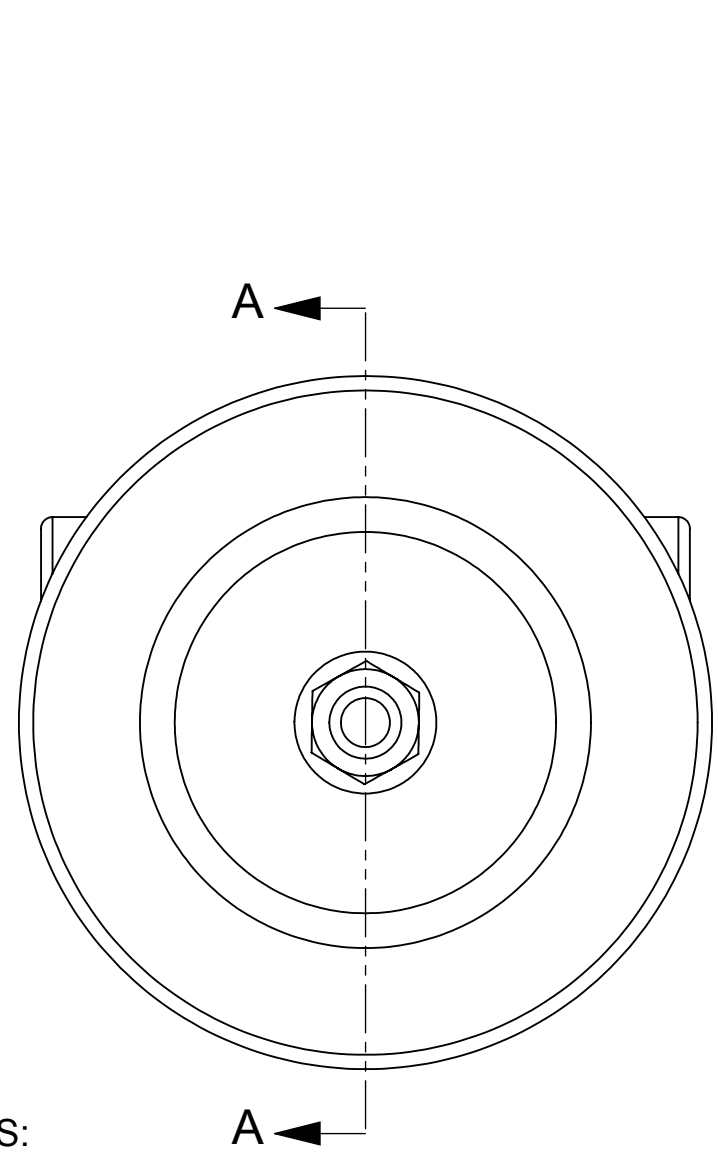


ITEM NO.	PART NUMBER	DESCRIPTION	G907P /QTY.
1	00343	LOCK WASHER	4
2	04259	INT. RETAINING RING	1
3	04258	EXT. RETAINING RING	2
4	04264	FLAT WASHER	1
5	09000	RUBBER IMPELLER	1
6	10195	CAM SCREW 10-32NFT	1
7	10926	SEAL SEAT	1
8	12211	BALL BEARING	2
9	18576	KEY, WOODRUFF	1
10	18035	MECHANICAL SEAL	1
11	18573	CAP SCREW	2
12	18574	LOCK WASHER	2
13	18663	CAM	1
14	19964	O-RING	1
15	21857	FLAT WASHER	1
16	21859	PULLEY	1
17	21862	HOUSING	1
18	21916	SCREW, SOCKET HD CAP	4
19	21974	SPACER	1
20	24124	SHAFT	1
21	24125	COVER PLATE	1
22	24126	LOCK WASHER	1
23	24127	SERRATED FLANGE NUT	1

(K)
(E) (G)
(I)
(E)
(H)
(L)
(F) (H) (H)



SECTION A-A



ASSEMBLY NOTES:

1. APPLY PERMATEx FORM-A GASKET NO. 1 (HARD SETTING) SEALANT, OR EQUIV. TO THREADS AND BASE OF HEAD TO CAM SCREW PRIOR TO INSTALLATION.
2. USE COOLANT TO AID IN INSTALLATION OF RUBBER IMPELLER.
3. USE PAC-EASE, OR EQUIV, WHEN INSTALLING MECHANICAL SEAL.
4. STAMP "G907P" AND DATE CODE ON COVER PLATE.
5. MANUFACTURING: HAND TIGHTEN LOCK NUT ONLY. INSTALLATION: TORQUE TO 30FT-LBS
6. MANUFACTURING: INSTALL BOLT TO APPROXIMATELY 4 FULL TURNS. INSTALLATION: TORQUE TO 30FT-LBS
6. STATIC TEST PUMP TO 20 PSI.

REV.	ECN	REVISION DESCRIPTION	CHKD	DATE
L	7003	UPDATED BOM - CHANGED QTY OF 21857	JJH	8/4/2008
K	6656	WAS G907P-02	TW	1-30-2008
J	6174	INSTALLATION TORQUE ADDED	PB	3-9-2007
I	5817	KEY 18576 WAS 13777	DV	8-7-2006
H	5632	UPDATED BOM & DRAWING	RJE	4-27-06
G	4907	ADDED BALL BEARING 12211, REMOVED 23448	RJE	08-04-05
F	3754	COVER 24125 WAS 19965	DV	10-28-03
E	1995	UPDATED BOM & DRAWING	DV	9-27-2002
REVISIONS				

 Pentair Water 375 Fifth Avenue NW New Brighton, MN 55112 (651) 766-6300	DRAWING BASED ON ASME Y14.5M-1994	REPLACES PART NO.:	REV.
	THIRD ANGLE PROJECTION DO NOT SCALE PRINT	SCALE C	ALL DIMS. IN INCHES, DIMS. IN [] ARE IN MM UNLESS OTHERWISE SPECIFIED
SURFACE TREATMENT N/A	HEAT TREATMENT N/A	MATERIAL SEE BOM	PART DESCRIPTION IMPELLER PUMP
DWG BY:	DATE:	DWG BY:	DATE:
CHECKED BY:	DATE:	APPROVED BY:	DATE:
THIS DRAWING IS THE PROPERTY OF HYPRO, AND WITHOUT WRITTEN AUTHORIZATION, MUST NOT BE COPIED OR COMMUNICATED			
PART NUMBER G907P			REV. L