

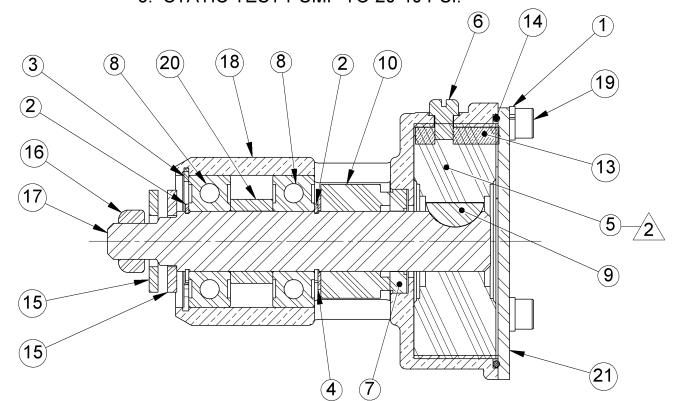
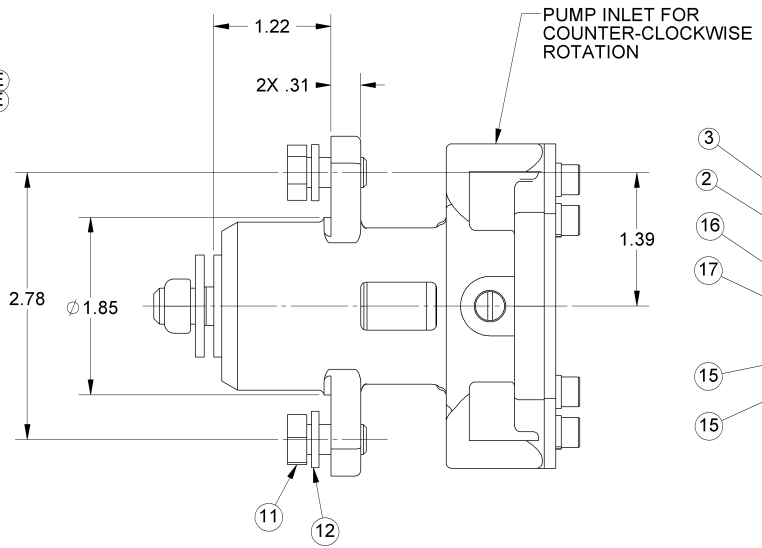
ITEM NO.	PART NUMBER	DESCRIPTION	QTY.
1	00343	LOCK WASHER	4
2	4258	RETAINING RING	2
3	4259	RETAINING RING	1
4	04264	FLAT WASHER	1
5	9000	RUBBER IMPELLER	1
6	10195	CAM SCREW	1
7	10926	SEAL SEAT	1
8	12211	BALL BEARING	2
9	18576	KEY, WOODRUFF	1
10	18035	MECHANICAL SEAL	1
11	18573	CAP SCREW	2
12	18574	LOCK WASHER	2
13	18663	CAM	1
14	19964	O-RING	1
15	21857	FLAT WASHER	2
16	21858	NUT	1
17	21861	SHAFT	1
18	21862	HOUSING	1
19	21916	SOCKET HD CAP SCREW	4
20	21974	SPACER	1
21	24125	COVER PLATE	1

(A) (D)  
(F)

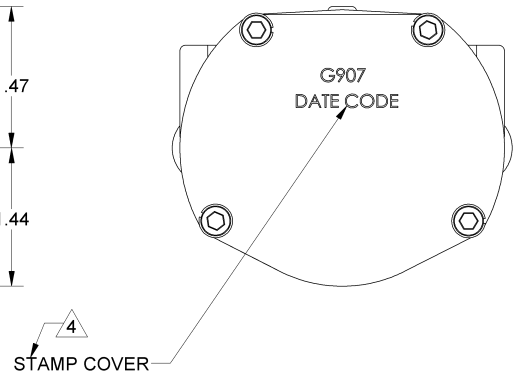
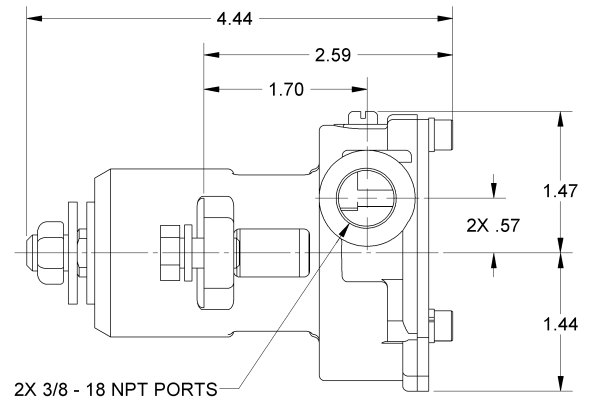
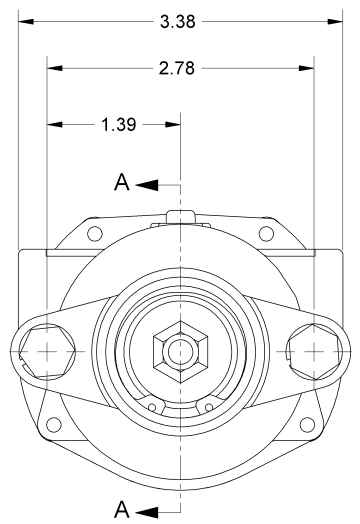
(A)

(C) (E)  
(C)

(B)



SECTION A-A



ASSEMBLY NOTES:

1. APPLY PERMATEX FORM-A GASKET NO. 1 (HARD SETTING) SEALANT, OR EQUIV. TO THREADS AND BASE OF HEAD TO CAM SCREW PRIOR TO INSTALLATION.
2. USE COOLANT TO AID IN INSTALLATION OF RUBBER IMPELLER.
3. USE PAC-EASE, OR EQUIV. WHEN INSTALLING MECHANICAL SEAL.
4. STAMP "G907" AND DATE CODE ON COVER PLATE.
5. STATIC TEST PUMP TO 20-40 PSI.

REV.	ECN	REVISION DESCRIPTION	CHKD	DATE	PART DESCRIPTION	SCALE	PART NUMBER	REV.
G	5997	REVISED NOTE 2 TO USE "COOLANT"	DV	11-13-06	<b>HYPRO</b> Pentair Water 375 Fifth Avenue NW New Brighton, MN 55112 (651) 766-6300 DRAWING BASED ON ASME Y14.5M-1994 DO NOT SCALE PRINT THIRD ANGLE PROJECTION SCALE 1:1	EXPERIMENTAL PART NO. ENGRG REL: _____ DATE: _____ DWG BY: TLG DATE: 11-07-94 CHECKED BY: _____ DATE: _____ THIS DRAWING IS THE PROPERTY OF HYPRO AND WITHOUT WRITTEN AUTHORIZATION, MUST NOT BE COPIED OR COMMUNICATED. PART NUMBER	<b>G907</b>	REV.
F	5817	18576 KEY WAS 13777	DV	08-07-06				
E	5158	CHG NUT TO 21858, ADDED WASHER 21857	RJE	09-27-05				
D	4907	ADDED BALL BEARING 12211, REMOVED 23448	RJE	08-04-05				
C	4810	NUT WAS 21858, ADDED 24126 LOCK WASHER	DV	04-12-05				
B	3754	COVER 24125 WAS 19965	DV	10-28-03				
A	1995	UPDATED BOM & REDRAWN	DV	09-27-02	IMPELLER PUMP			