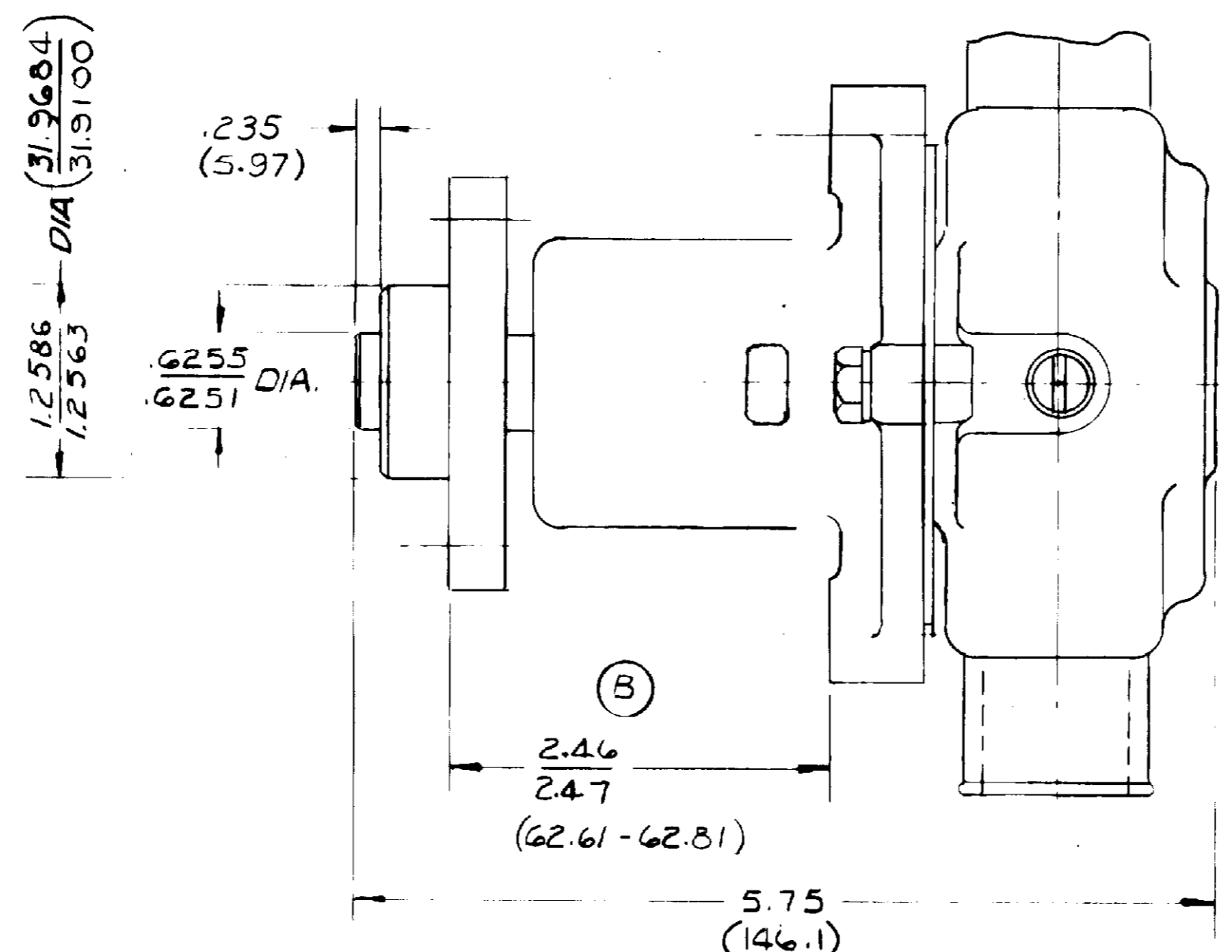


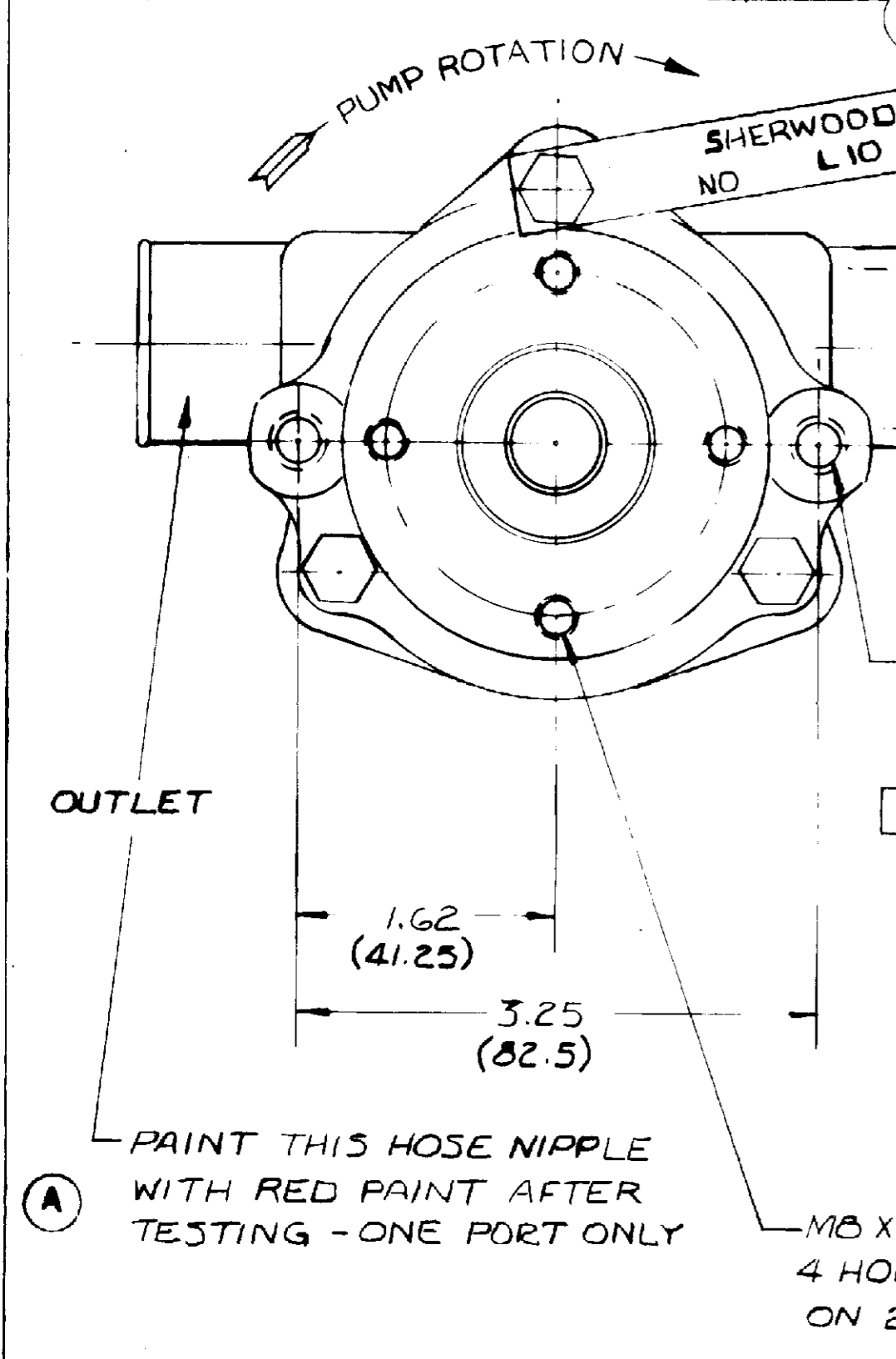
PARTS LIST

| ITEM | PART NO. | DESCRIPTION | REQ'D |
|------|----------|---------------------|---------|
| 1 | 13363 | SHAFT | 1 |
| 2 | 13795 | HUB | 1 |
| 3 | 4259 | RET RING INT | 2 |
| 4 | 12211 | BEARING | 2 |
| 5 | 5133 | SPACER | 1 |
| 6 | 12314 | SEAL ASSY. | 1 |
| 7 | 12256 | SEAT ASSY. | 1 |
| 8 | 13796 | BODY (COATED) | 1 |
| 9 | 12855 | GASKET | 1 |
| 10 | 12231 | "O" RING | 1 |
| 11 | 13899 | HOUSING | 1 |
| 12 | 12856 | END PLATE | 1 |
| 13 | 4264 | THRUST WASHER | 1 |
| 14 | 4258 | RET. RING EXT. | 3 |
| 15 | 4432 | KEY-WOODRUFF | 1 |
| 16 | 10615 | IMPELLER | 1 |
| 17 | 10929 | CAM (.219) | 1 |
| 18 | 10515 | SCREW 1/4-20 X 3/8 | 1 |
| 19 | 12710 | LOCK WASHER | 3 |
| 20 | 13794 | SCREW MG X 1.00 THD | 3 |
| 21 | 13285 | TAG-PART NUMBER | 1 |
| 22 | 12859 | SEAL & SEAT ASS'Y | SERVICE |
| 23 | 12946 | MAJOR REPAIR KIT | SERVICE |
| 24 | 12394 | MINOR REPAIR KIT | SERVICE |

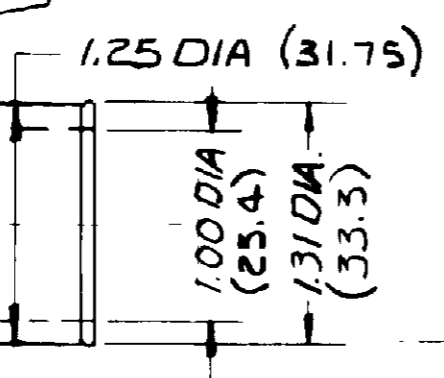


PACKAGING:
 № 17659 CARTON Y
 12209 LABEL
 17653 JIFFY BAG #5

1 REQ'D.
 1 REQ'D.
 1 REQ'D.



21
 STAMP PUMP ASS'Y NO AND DATE CODE ON TAG AND ATTACH WITH SCREW TO THIS LOCATION

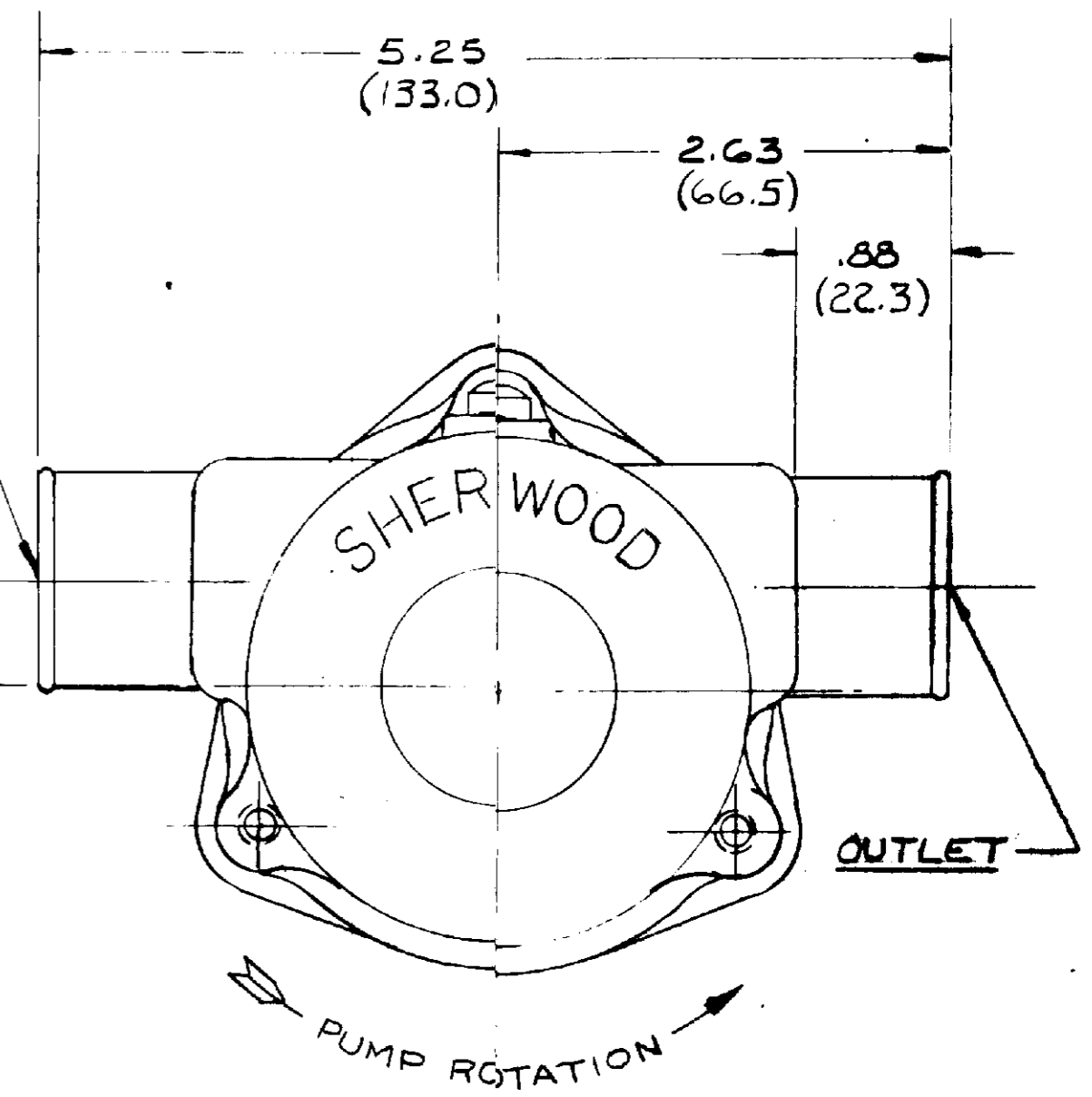


M8 X 1.25 THD
 2 PLACES

TO PROVIDE MAXIMUM SHAFT TO HUB BREAK AWAY TORQUE. THE SHAFT MUST BE HELD SQUARE WITH THE PULLEY HUB WHEN THEY ARE PRESSED TOGETHER. SHEARING OF METAL WILL REDUCE BREAK AWAY TORQUE

M8 X 1.25 METRIC THD.
 4 HOLES EQUALLY SPACED ON 2.125 BOLT CIRCLE

INLET



ONAN CORP No 132-0278
 CURVE No. 76004 R.

| REV | DESCRIPTION | APPR | DATE |
|-----|----------------------|------|----------|
| E | 12946 WAS 12872 | SH | 7/5/90 |
| D | 12859 WAS 12322 | SH | 7/5/90 |
| C | 12314 WAS 8388 | SH | 11-11-88 |
| B | 62.61-62.81 MM W/... | RM | 8-30-88 |
| A | PRINT NOTE AD... | RM | 7-2-88 |

UNLESS OTHERWISE SPECIFIED TOLERANCE TO BE
 CAST DIMENSION ± .020
 MACHINED DIMENSION
 FRACTIONAL ± .010
 DECIMAL ± .008
 ANGLES ± 1/2°
 MACHINED SURFACE ROUGHNESS
 ALLOW 1/16 STOCK ON ALL FINISHED SURFACES FOR MACHINING.
 BREAK ALL SHARP EDGES .010 MAX
 CAST FILLETS AND RADII 1/16 R

SHERWOOD
 A DIVISION OF HYPRO CORPORATION
 6881 E. JEFFERSON AVE. - DETROIT, MICHIGAN 48207

| DRAFTSMAN | DATE | CHECKER | DATE | REV NO |
|-----------|----------|---------|------|--------|
| RBM | 11-23-88 | | | |

TITLE: PUMP ASSEMBLY
 MATERIAL: SEE DETAIL
 DWG NO: L10

FROM 396