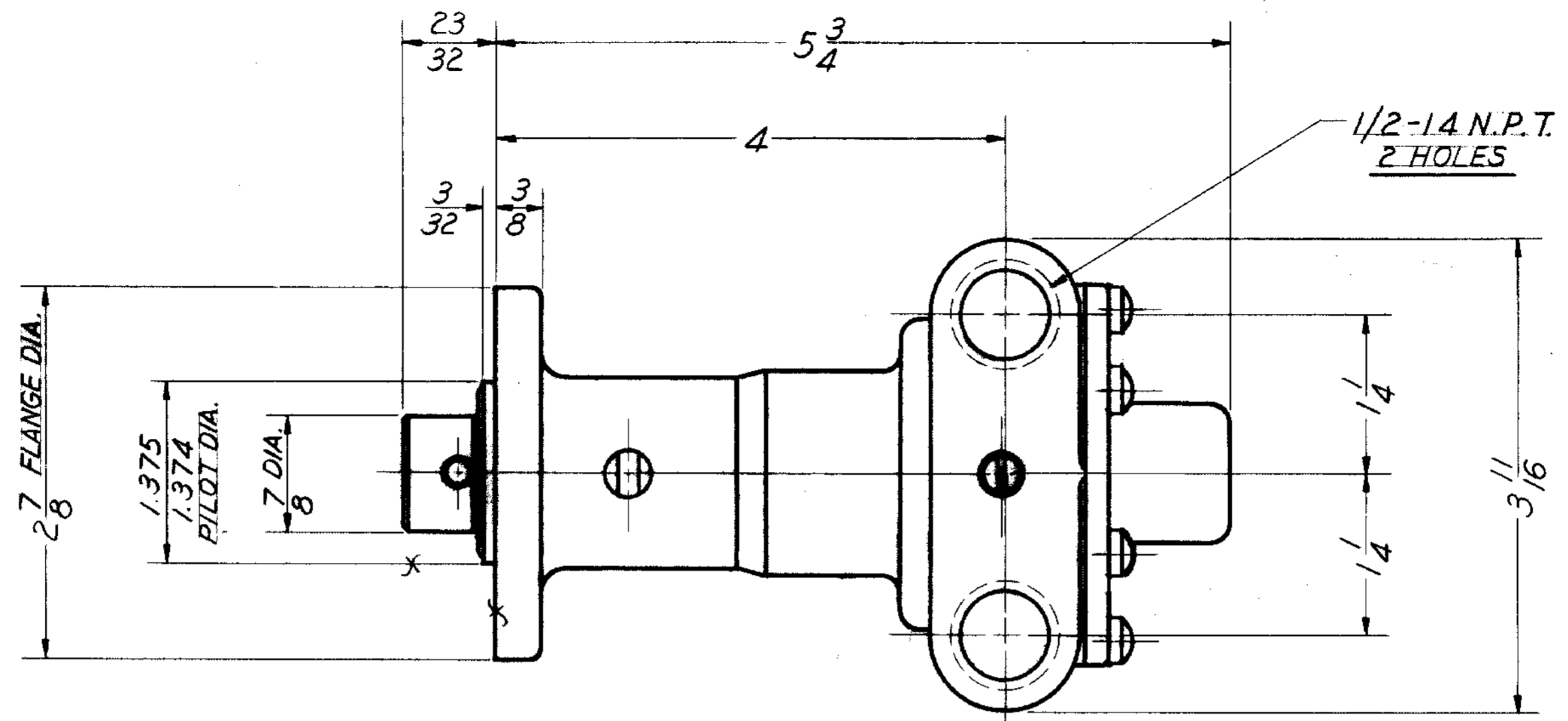
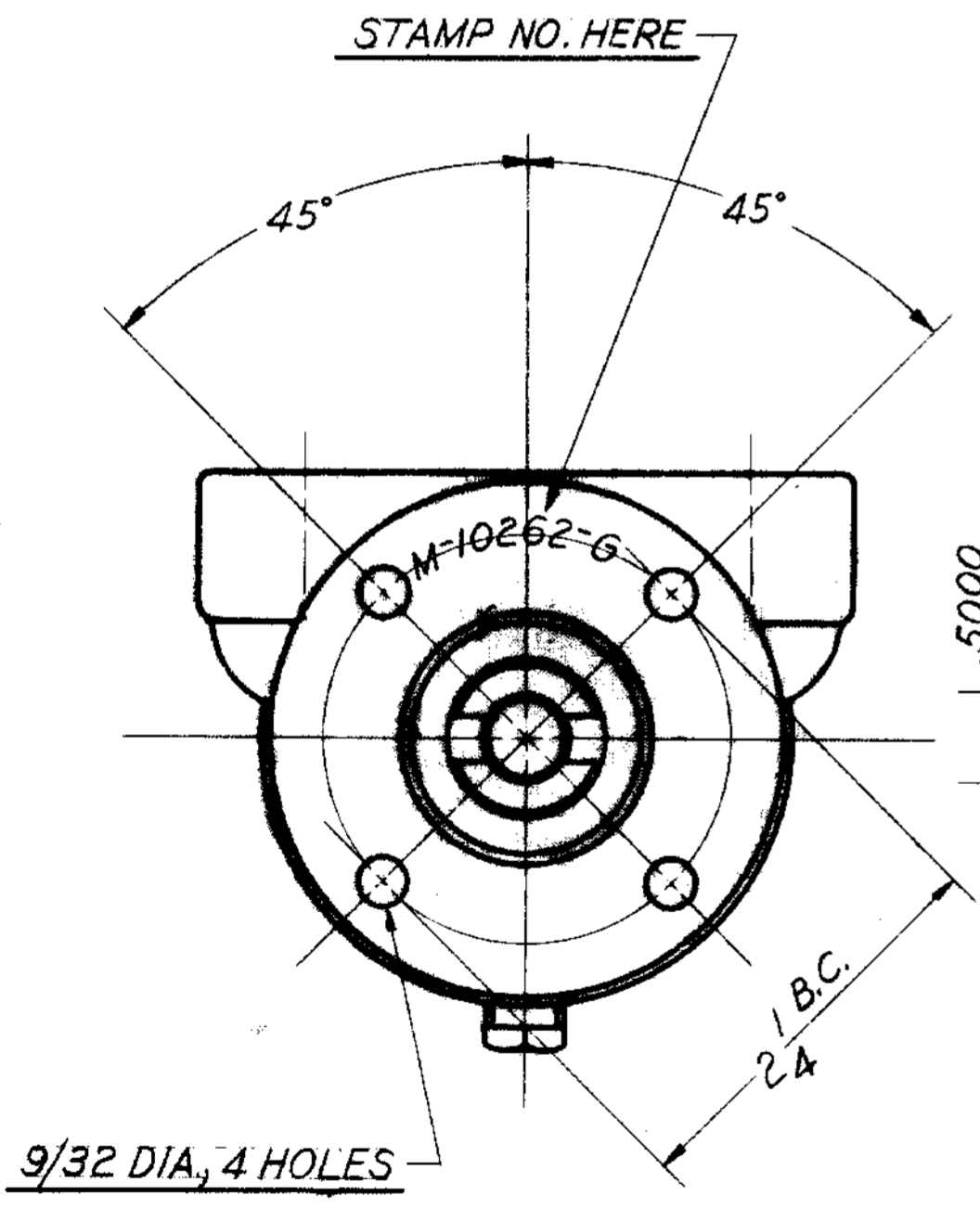


SERVICE PART NO.	COMPONENT PART NO'S	NO. REQ'D
10311	10309	1
BODY	1311	2
10281	10279	1
COVER	2075-G	1
10546 (F)	10522	1
SEAL & SEAT	10462	1

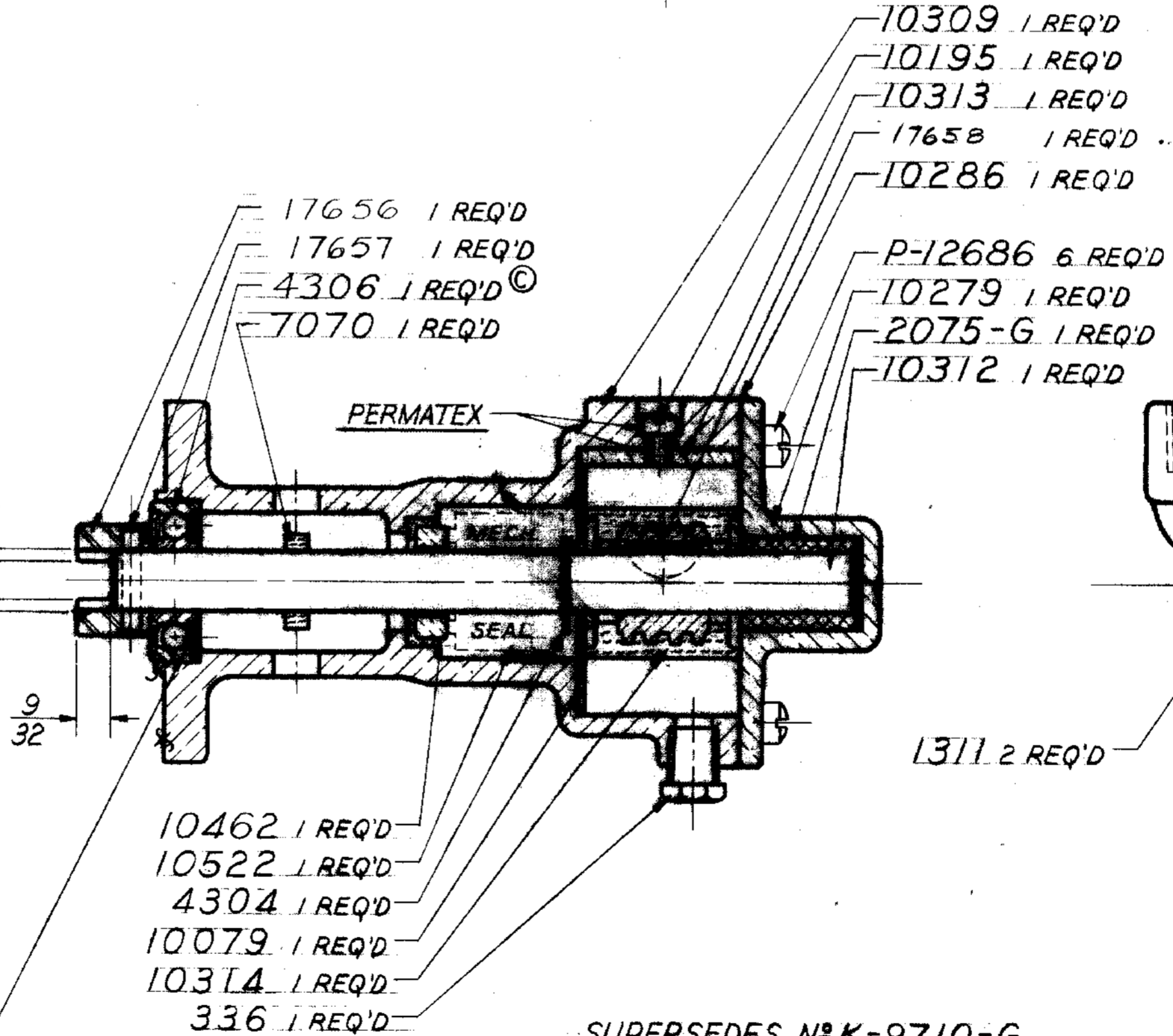
MAJOR REPAIR KIT #12245 (E)
MINOR REPAIR KIT #10424 (E)



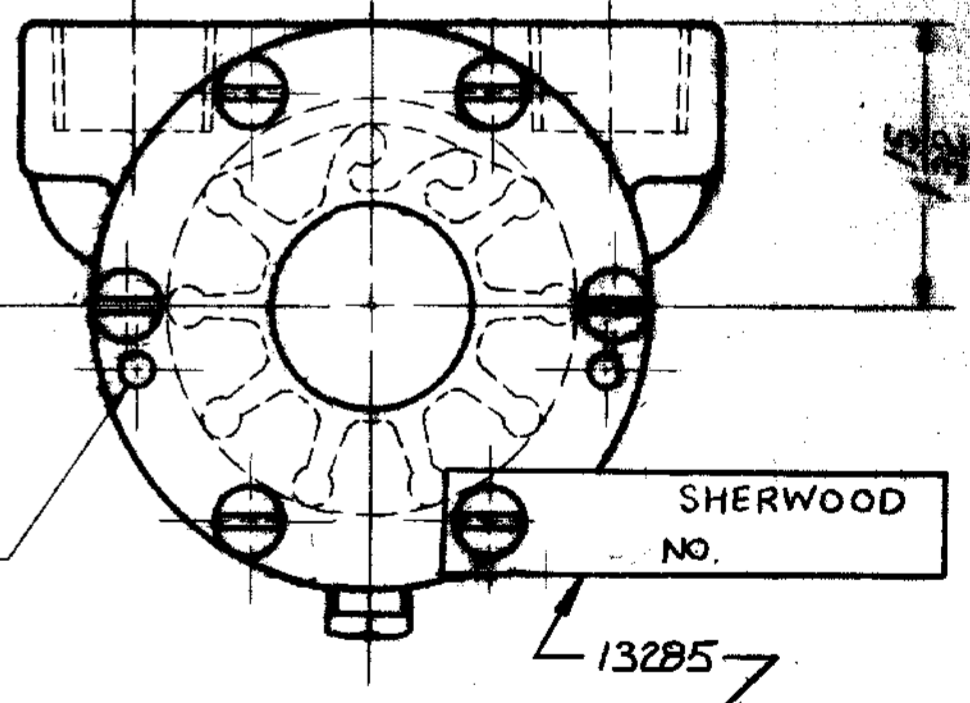
(F) FOR SERVICE:
PACKAGE THIS PUMP ASSEMBLY IN A
#17645 BOX 1 REQ'D
#17611 JIFFY BAG 1 REQ'D
#12209 LABEL 1 REQ'D



CAPACITY
4.0 G.P.M @ 1000 R.P.M.



SEALED BALL BEARING



(H) STAMP PUMP ASSEMBLY NO M-10262-G
AND DATE CODE, ATTACH WITH SCREW
MODEL K ENGINE 125

SUPERSEDES N° K-9710-G

G	NO. 343 LOCKWASHER REMOVED	RI	16-5-80
F	PACKAGING NOTE ADDED	RM	7-31-78
E	12245 & 10424 KITS REVISED	RM	11-5-76
D	MAJOR SERVICE KIT ADDED	RM	2-17-72
C	WAS N° 6236 BALL BRG.	RL	12/7/69
B	WAS N° 9499 SEAL & SEAT ASSY	KL	7/24/67
A	SERVICE M-10424 ADDED	KL	1/1/60
I	DRAWING REVISED	KB	10-16-85
H	ADDED TAG 13285		

SHERWOOD
A DIVISION OF HYPRO CORPORATION
8321 E. JEFFERSON AVE. • DETROIT, MICHIGAN 48214

TITLE: **IMPELLER PUMP ASS'Y** SEE DETAILS

SCALE: FULL

DATE: 1-22-80

DATE: 1/22/80

NO. 343 LOCKWASHER REMOVED

PLUS OR MINUS .005 ALLOWED ON FRACTIONAL DIMENSIONS. ALL HOLES AND SHARP CORNERS TO BE BURRED .005 TO .010 CORNERS AND FILLETS TO BE SHAR, UNLESS OTHERWISE SPECIFIED.

M-10262-G