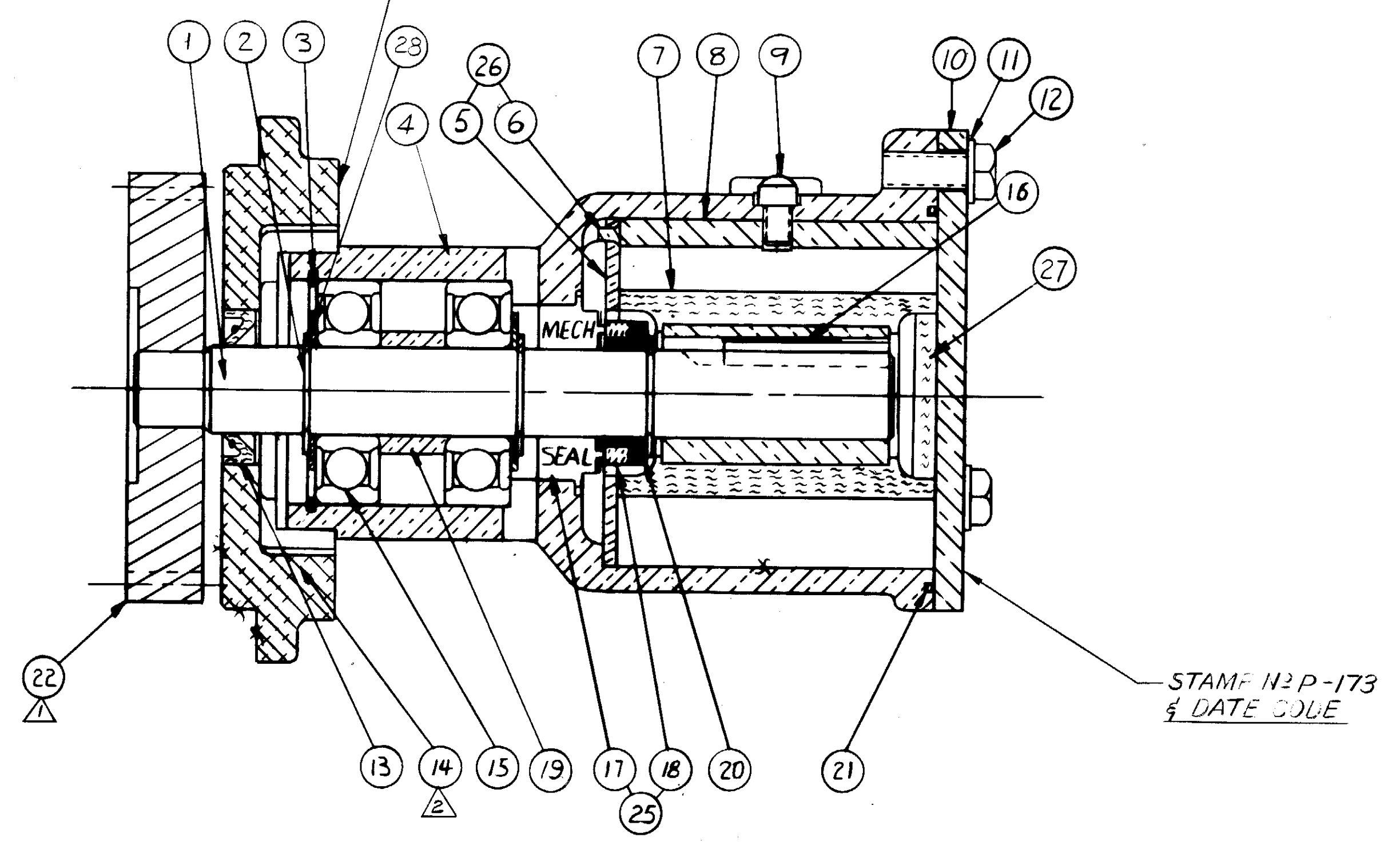
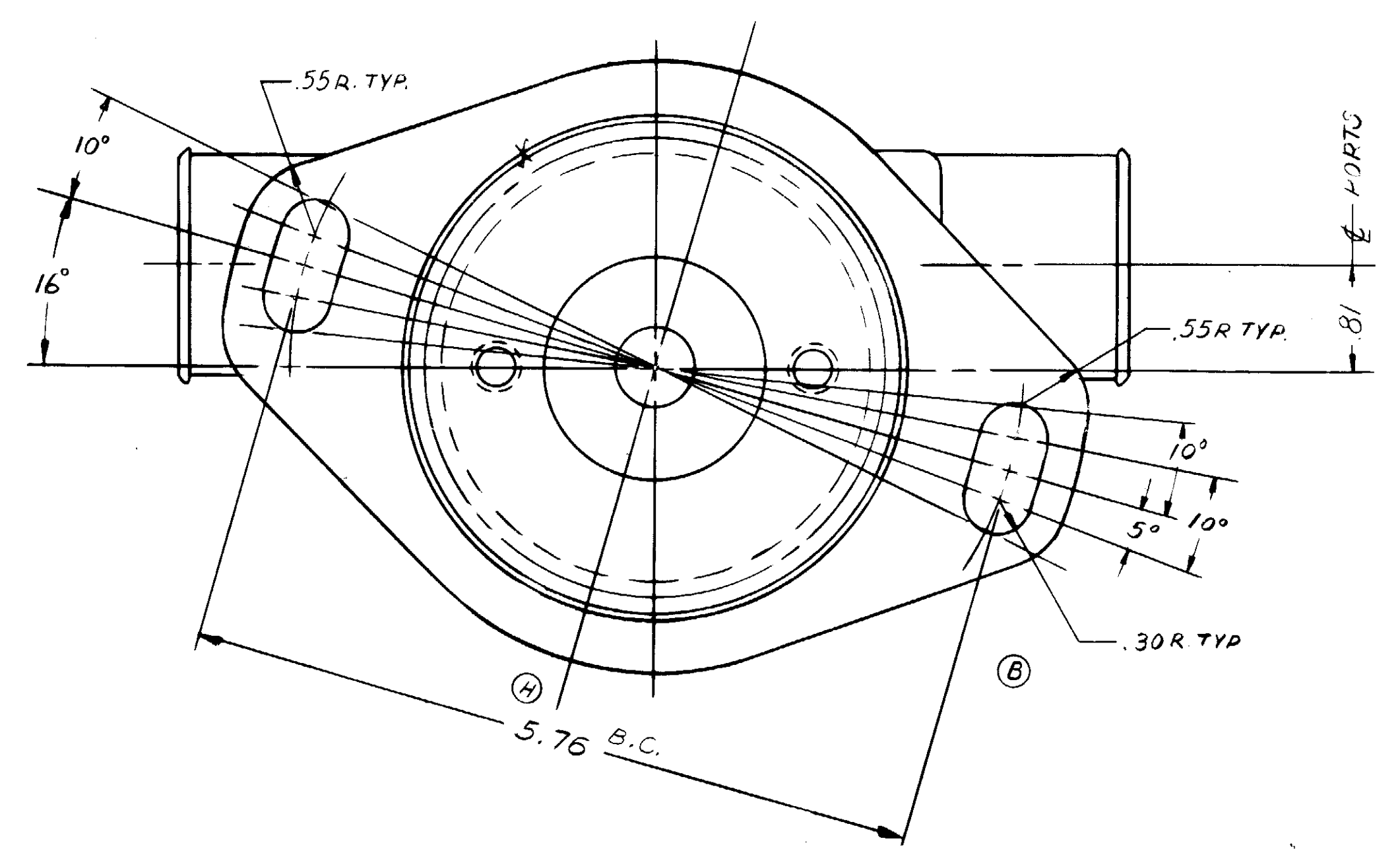
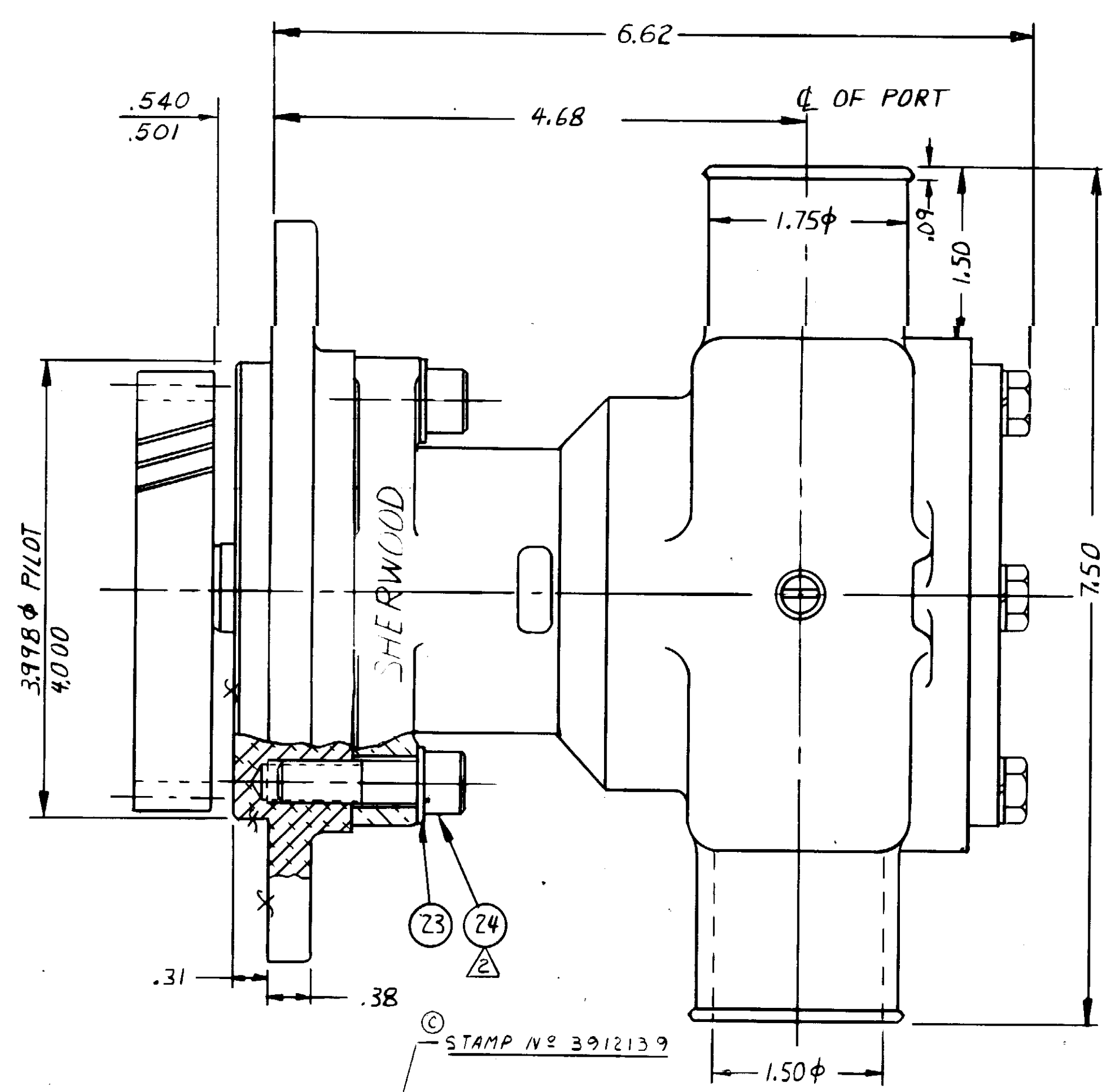


PARTS LIST			
ITEM	DESCRIPTION	REQ'D	PART NO.
1	SHAFT	1	16046
2	EXT. RET. RING	3	15952
3	INT. RET. RING	1	15942
4	HOUSING	1	18385
5	END PLATE	1	16047
6	RD HD PIN	1	18442
7	RUBBER IMPELLER	1	17000
8	CAM	1	18271
9	CAM SCREW	1	19673
10	COVER PLATE	1	15742
11	5/16 LOCK WASHER	3	15944
12	5/16 HEX. CAPSCREW	3	16029
13	LIP SEAL	1	18971
14	FLANGE MOUNTING ADAPTER	1	15975
15	BALL BEARING	2	15951
16	KEY	1	19209
17	MECH. SEAL	1	15154
18	SEAL SEAT	1	15153
19	SPACER	1	15940
20	FLAT WASHER	1	15959
21	O RING	1	15145
22	GEAR-EXT. DRIVE	1	14184
23	FLAT WASHER	2	18171
24	3/8 SDC. HD. BOLT	2	16030
25	SEAL & SEAT ASSY	SERVICE	15955
26	ENDPLATE PIN ASSY	SERVICE	15441
27	RUBBER CAP	1	19210
28	FLAT WASHER	2	19614
31	MINOR SERVICE KIT	ITEMS 7, 8, 9, 10, 11, 12, 13, 14, 15, 16, 17, 18, 19, 20, 21, 22, 23, 24, 25, 26, 27, 28	18284
32	MAJOR SERVICE KIT	ITEMS 1, 2, 3, 4, 5, 6, 7, 8, 9, 10, 11, 12, 13, 14, 15, 16, 17, 18, 19, 20, 21, 22, 23, 24, 25, 26, 27, 28	18285

NOTE (E)
 2. DEGREASE BOLTS AND HOLES PRIOR TO ASSEMBLY
 USE LOCTITE PRIMER #25556 FOLLOWED BY
 LOCTITE #262 TORQUE 3/8" BOLTS TO 18 LB-FT
 (K)



NOTE
 1. ITEM N° 22 - FURNISHED BY CUMMINS PART N° 3902175

CUMMINS # 3912139

L	N° 19673 SCREW WAS N° 12515	AVB	8/6/91
K	LOC-TITE N° 262 WAS N° 271	AVB	8/6/91
J	N° 15959 WASHER WAS 3 REQ'D	AVB	8/6/91
I	N° 19614 FLAT WASHER ADDED	AVB	8/6/91
H	5.76 CORRECTION FROM 5.66	AVB	8/6/91
G	19210 ADDED	SH	7/21/90
F	19209 WAS 15948	SH	7/21/90
E	18971 WAS 15950	SH	7/21/90
D	CUMMINS N° ADDED	KB	1-10-88
C	MOUNTING FLANGE REVISED	AVB	9/17/88
B	MODEL N° P173 WAS N° P02	AVB	8/6/91

UNLESS OTHERWISE SPECIFIED
 CAST DIMENSIONS - .02
 FILETS & RADII - .06
 FINISH STOCK - 07
 MACHINING TOLERANCE INCHES
 XX - 01 XXX - .005
 SURF. F. FINISHES
 ANGLES - 90
 CORNER BREAKS 01 MAX
 PARALLELISM 001
 FLATNESS 001
 SQUARENESS 001
 CIRCULARITY 001
 ROUNDNESS 001

SHERWOOD
 A DIVISION OF HYPRO CORPORATION
 8331 E. JEFFERSON AVE. - DETROIT, MICHIGAN 48214

DRAWN	DATE	CHECKER	DATE
ML	3/24/88	J.P.	3-3

TITLE: RUBBER IMPELLER PUMP ASSY
 MATERIAL: SEE DETAILS P173 (A)