



293 Wright St., Delavan, WI 53115

Phone: 1-800-468-7867

1-800-546-7867

Fax: 1-800-390-5351

Web Site: <http://www.simerpump.com>

OWNER'S MANUAL

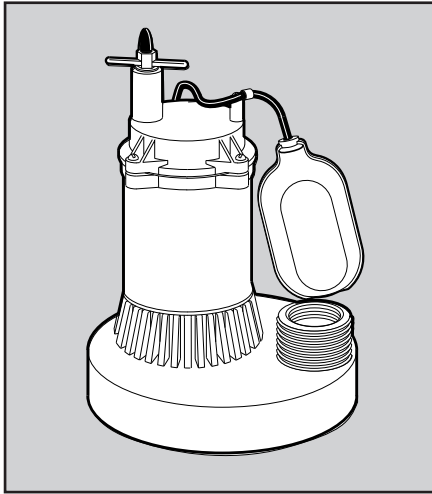
Submersible Sump Pumps

NOTICE D'UTILISATION

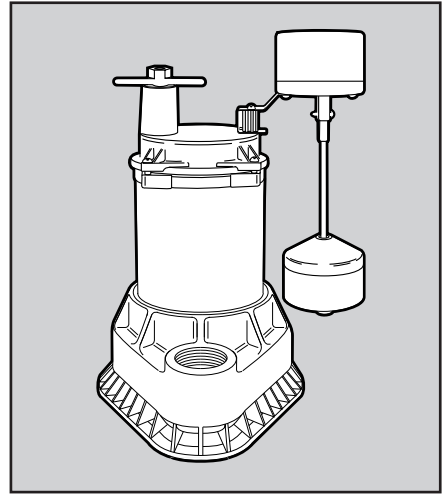
Pompes submersibles pour puisard

MANUAL DEL USUARIO

Bombas sumergibles para sumideros y efluentes



2943, 2945



2956, 2958

Installation/Operation/Parts

For further operating,
installation, or maintenance
assistance:

Call 1-800-468-7867 /

1-800-546-7867

English Pages 2-7

Installation/Fonctionnement/Pièces

Pour plus de renseignements
concernant l'utilisation,
l'installation ou l'entretien,

Composer le 1 (800) 468-7867 /

1 (800) 546-7867

Français Pages 8-12

Instalación/Operación/Piezas

Para mayor información sobre
el funcionamiento, instalación o
mantenimiento de la bomba:

Llame al 1-800-468-7867 /

1-800-546-7867

EspañolPaginas 13-19

DESCRIPTION

This Submersible Sump Pump is designed for home sumps. Unit is equipped with a 3-prong grounding-type power cord. Shaded-pole motor is oil filled and sealed for cooler running. Sleeve bearings on motor shaft never need lubrication. Automatic reset thermal protection. Not designed for use as a swimming pool drainer.

SPECIFICATIONS

Power supply required115V, 60 HZ.

Liquid Temp. Range32°F to 70°F(0°-21°C)

Individual Branch Circuit Required (min.)15 Amps

Discharge:

Plastic Models1-1/4" FNPT / 1-1/2" MNPT

Cast Iron Models1-1/2" FNPT

NOTICE: Do not reduce size of discharge pipe or hose below 1-1/4" diameter. If discharge is too small, pump will overheat and fail prematurely.

Pump water only with this pump.

NOTICE: This unit is not designed as a waterfall or fountain pump, or for applications involving salt water or brine! Use with waterfalls, fountains, salt water or brine will void warranty.

Do not use where water recirculates.

Not designed for use as a swimming pool drainer.

PERFORMANCE

GPH (LPH) AT TOTAL FEET (M) OF LIFT					
Model	HP	5 (1.5m)	10 (3m)	15 (4.6m)	No flow at height shown below
CAPACITY GALLONS(L)/HOUR					
2943	1/3	2760 (10 448)	2160 (8 176)	1410 (5 337)	20 Ft. (6.1M)
2956	1/3	2800 (10 599)	2200 (8328)	1400 (5299)	20 Ft. (6.1M)
2945	1/2	3200	2700	2000	24 Ft. (7.3M)
2958		(12 113)	(10 220)	(7 571)	

ELECTRICAL & SWITCH SPECIFICATIONS

Model	HP	Motor Full Load Amps	Individual Branch Circuit Req.(Amps)	*Switch Setting in inches (mm)	
				On	Off
2943	1/3	9.0	15	13"(330)	6"(152)
2945	1/2	5.5	15	13"(330)	6"(152)
2956	1/3	9.0	15	8"(203)	3"(102)
2958	1/2	6.0	15	8"(203)	3"(102)

GENERAL SAFETY INFORMATION

Electrically powered sump pumps normally give many years of trouble-free service when correctly installed, maintained, and used. However, unusual circumstances (interruption of power to the pump, dirt/debris in the sump, flooding that exceeds the pump's capacity, electrical or mechanical failure in the pump, etc.) may prevent your pump from functioning normally. To prevent possible water damage due to flooding, consult your retailer about a secondary AC sump pump, a DC backup sump pump, and/or a high water alarm. See the "Troubleshooting Chart" in this manual for information about common sump pump problems and remedies. For more information, see your retailer or call customer service at 1-800-468-7867.

1. Know the pump application, limitations, and potential hazards.
2. **Do not use in water with fish present. If any oil leaks out of the motor it can kill fish.**
3. Disconnect power before servicing.
4. Release all pressure within system before servicing any component.
5. Drain all water from system before servicing.
6. Secure discharge line before starting pump. An unsecured discharge line will whip, possibly causing personal injury and/or property damage.
7. Check hoses for weak or worn condition before each use, making certain that all connections are secure.
8. Periodically inspect sump, pump and system components. Keep free of debris and foreign objects. Perform routine maintenance as required.
9. Provide means of pressure relief for pumps whose discharge line can be shut-off or obstructed.
10. Personal Safety:
 - a. Wear safety glasses at all times when working with pumps.
 - b. Keep work area clean, uncluttered and properly lighted – replace all unused tools and equipment.
 - c. Keep visitors at a safe distance from work area.
 - d. Make workshop child-proof – with padlocks, master switches, and by removing starter keys.
11. When wiring an electrically driven pump, follow all electrical and safety codes that apply.
12. **This equipment is only for use on 115 volt (single phase) and is equipped with an approved 3-conductor cord and 3-prong, grounding-type plug.**

⚠ WARNING To reduce risk of electric shock, pull plug before servicing. This pump has not been investigated for use in swimming pool areas. Pump is supplied with a grounding conductor and grounding-type attachment plug. Be sure it is connected only to a properly grounded grounding-type receptacle. Where a 2-prong wall receptacle is encountered, it must be replaced with properly grounded 3-prong receptacle installed in accordance with codes and ordinances that apply.

13. All wiring should be performed by a qualified electrician.
14. Make certain power source conforms to requirements of your equipment.
15. Protect electrical cord from sharp objects, hot surfaces, oil, and chemicals. Avoid kinking cord. Replace or repair damaged or worn cords immediately.
16. Do not touch an operating motor. Modern motors can operate at high temperatures.
17. Do not handle pump or pump motor with wet hands or when standing on wet or damp surface, or in water.

⚠ WARNING Hazardous voltage can shock, burn or kill. If your basement has water or moisture on floor, do not walk on wet area until all power has been turned off. If shut-off box is in basement, call electric company or hydro authority to shut-off service to house, or call your local fire department for instructions. Remove pump and repair or replace. Failure to follow this warning can result in fatal electrical shock.

Do not lift pump by power cord.

FLOAT SWITCH INSTALLATION

Models equipped with vertical switches require some assembly. See the Switch Assembly instructions on Page 4. Models with tethered float switches are ready for use.

INSTALLATION

1. Install pump in sump pit with minimum diameter of 10" (254mm) for models equipped with vertical switches and 14" (356mm) for tethered float switch models. Sump depth should be 16" (406mm) for tethered models and 10" (254mm) for vertically switched models. Construct sump pit of tile, concrete, steel or plastic. Check local codes for approved materials and for proper installation.
2. Install pump in pit so that switch operating mechanism has maximum possible clearance.
3. Pump should not be installed on clay, earth or sand surfaces. Clean sump pit of small stones and gravel which could clog pump. Keep pump inlet screen clear.

NOTICE: Do not use ordinary pipe joint compound on plastic pipe. Pipe joint compound can attack plastics.

4. Install discharge plumbing. Use rigid plastic pipe and wrap threads with Teflon™ tape. Screw pipe into pump hand tight plus 1-1/2 turns.

⚠ CAUTION Risk of flooding. If a flexible discharge hose is used, make sure pump is secured in sump to prevent movement. Failure to secure pump may allow pump movement, switch interference and prevent pump from starting or stopping.

5. To reduce motor noise and vibrations, a short length of rubber hose (1-7/8" (47.6mm) I.D., e.g. radiator hose) can be connected into discharge line near pump using suitable clamps.
6. Install an in-line check valve or an in-pump check valve to prevent flow backwards through pump when pump shuts off.

NOTICE: If your check valve is not equipped with an air bleed hole to prevent airlocking pump, drill a 1/8" (3.2 mm) hole in discharge pipe just above where the discharge pipe screws into the pump discharge. Be sure the hole is below the waterline and the check valve to prevent air locks.

7. Power Supply: Pump is designed for 115 V., 60 Hz., operation and requires a minimum 15 amp individual branch circuit. Both pump and switch are supplied with 3-wire cord sets with grounding-type plugs. Switch plug is inserted directly into outlet and pump plug inserts into opposite end of switch plug.

⚠ WARNING Pump should always be electrically grounded to a suitable electrical ground such as a grounded water pipe or a properly grounded metallic raceway, or ground wire system. Do not cut off round ground pin.

8. If pump discharge line is exposed to outside sub-freezing atmosphere, portion of line exposed must be installed so any water remaining in pipe will drain to the outfall by gravity. Failure to do this can cause water trapped in discharge to freeze which could result in damage to pump.
9. After piping, check valve and float switch have been installed, the unit is ready for operation.
10. Check the pump operation by filling sump with water and observing pump operation through one complete cycle. For switch settings see the Electrical and Switch Specifications chart on Page 2.

⚠ WARNING Failure to make this operational check may lead to improper operation, premature failure, and flooding.

™ E.I. DuPont De Nemours and Company Corporation, Delaware.

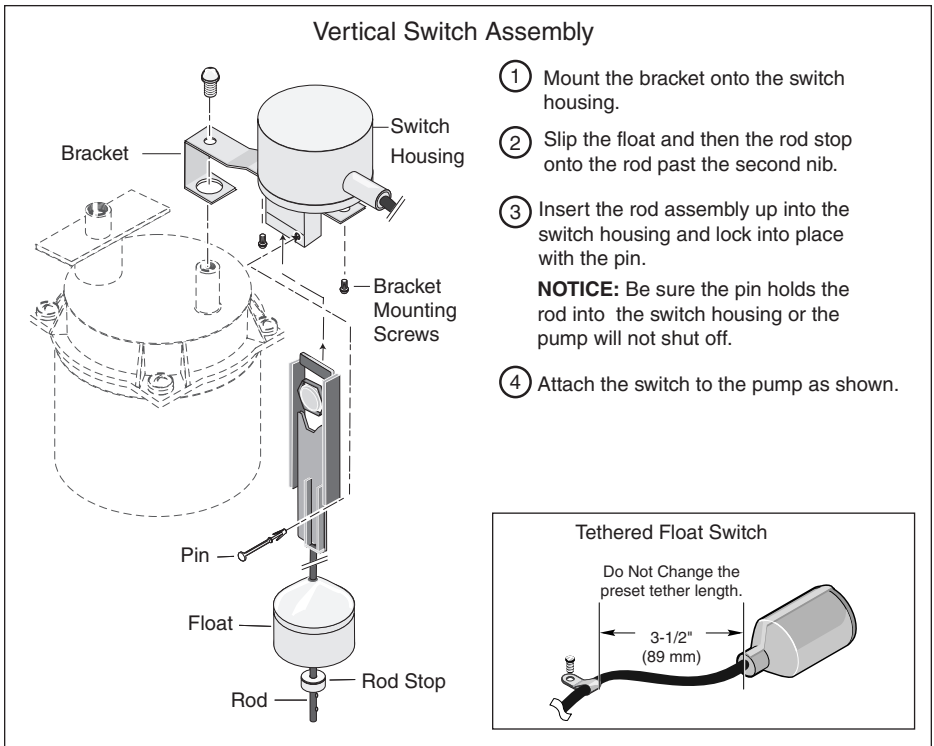
OPERATION

⚠ WARNING Risk of electric shock. Do not handle a pump or pump motor with wet hands or when standing on wet or damp surface, or in water.

1. Shaft seal depends on water for lubrication. Do not operate pump unless it is submerged in water as seal may be damaged if allowed to run dry.
2. Motor is equipped with automatic reset thermal protector. If temperature in motor should rise unduly, switch will cut off all power before damage can be done to motor. When motor has cooled sufficiently, switch will reset automatically and restart motor. If protector trips repeatedly, pump should be removed and checked as to cause of difficulty. Low voltage, long extension cords, clogged impeller, very low head or lift, or a plugged or frozen discharge pipe, etc., could cause cycling.

3. Pump will not remove all water. If operating a pump manually, and suddenly no water comes out of the discharge hose, shut off the unit immediately. The water level is probably very low and the unit has broken prime.

⚠ WARNING Risk of electric shock. Before attempting to check why unit has stopped operating, disconnect power from unit.



NOTICE: For Models 2956 and 2958, see instructions included with replacement switch, Part Number FPS17-66.

PLASTIC SERIES

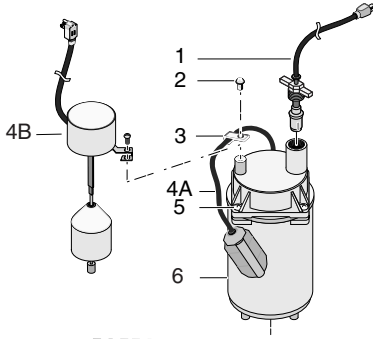
2943

2945

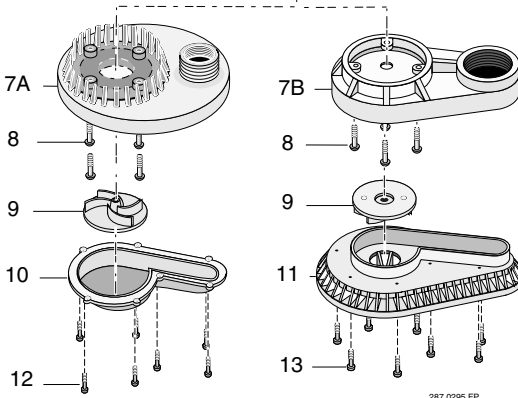
CAST IRON SERIES

2956

2958



Model	Impeller	Power Cord
2943	PS5-271P	PS117-54-TSU
2945	RP0000911A	PS117-54-TSU
2956	PS5-272P	PS117-54-TSU
2958	PS5-20P	PS117-53-TSU



287 0295 FP

Key No.	Part Description	Qty.	2943	2956
			2945	2958
1	Power Cord Assembly	1	See Chart	See Chart
2	Cord Clamp Screw	1	U30-955PS	U30-955PS
3	Float Switch Cord Clamp	1	CC0030-13	-
4A	Tethered Float Switch Assembly	1	FP18-15BD	-
4B	Vertical Float Switch Assembly	1	-	FPS17-66
5	Screw, #8-32x7/8" Hex Head	4	U30-951PS	U30-951PS
6	Motor	1	**	**
7A	Volute (Upper)	1	PS1-31P	-
7B	Volute (Upper)	1	-	PS1-24B
8	Screw, #8-32x5/8" Phillips Pan Head	4	U30-912PS	U30-912PS
9	Impeller	1	See Chart	See Chart
10	Volute (Lower)	1	PS1-30P	-
11	Baseplate	1	-	PS4-18P
12	Screw, #8-16x1/2" Lg. Pan Head	7	U30-956MG	-
13	Screws, #8-32 x 1/2" Pan Head	8	-	U30-571BT

**If motor fails, replace entire pump.

TROUBLESHOOTING CHART

SYMPTOM	PROBABLE CAUSE(S)	CORRECTIVE ACTION
Pump won't start or run.	<p>Pump is not plugged in. Blown fuse. Low line voltage.</p> <p>Defective motor. Defective float switch. Impeller.</p> <p>Float obstructed.</p>	<p>Check and see if pump is plugged in to a proper outlet. If blown, replace with fuse of proper size. If voltage under recommended minimum, check size of wiring from main switch on property. If OK, contact power company or hydro authority. Replace pump. Replace float switch. If impeller won't turn, remove lower pump body and locate source of binding. Remove obstruction.</p>
Pump starts and stops too often.	<p>Backflow of water from piping. Faulty float switch.</p>	<p>Install or replace check-valve. Replace float switch.</p>
Pump won't shut off.	<p>Defective float switch. Restricted discharge (obstacle or ice in piping). Float obstructed. Restricted intake screen.</p>	<p>Replace float switch. Remove pump and clean pump and piping.</p> <p>Remove obstruction. Remove the pump and clean the intake screen and the impeller.</p>
Pump operates but delivers little or no water.	<p>Low line voltage.</p> <p>Something caught in impeller. Worn or defective parts or plugged impeller. Check valve installed without vent hole.</p> <p>Restricted intake screen. Check valve is installed either backward or upside down.</p>	<p>If voltage under recommended minimum, check size of wiring from main switch on property. If OK, contact power company or hydro authority. Remove the pump and clean out the impeller. Clean impeller if plugged; otherwise replace pump.</p> <p>Drill a 1/16" - 1/8" (1.6mm - 3.2mm) dia. hole between pump discharge & check valve (1-2" above where the discharge pipe screws into the pump discharge and below the waterline). Remove the pump and clean out the intake screen. Be sure check valve is installed correctly.</p>

RETAIN ORIGINAL RECEIPT FOR YOUR RECORDS.

LIMITED WARRANTY

SIMER warrants to the original consumer purchaser (“Purchaser” or “You”) of its products that they are free from defects in material and workmanship for a period of twelve (12) months from the date of the original consumer purchase.

If, within twelve (12) months from the original consumer purchase, any such product shall prove to be defective, it shall be repaired or replaced at SIMER’s option, subject to the terms and conditions set forth below. The original purchase receipt and product warranty information label are required to determine warranty eligibility. Eligibility is based on purchase date of original product – not the date of replacement under warranty. The warranty is limited to repair or replacement of product only – Purchaser pays all removal, installation, labor, shipping, and incidental charges.

For parts or troubleshooting assistance, DO NOT return product to your retail store. Contact SIMER Customer Service at 1-800-468-7867 / 1-800-546-7867.

Claims made under this warranty shall be made by returning the product (except sewage pumps, see below) to the retail outlet where it was purchased immediately after the discovery of any alleged defect. SIMER will subsequently take corrective action as promptly as reasonably possible. No requests for service will be accepted if received more than 30 days after the warranty expires.

SEWAGE PUMPS

DO NOT return a sewage pump (that has been installed) to your retail store. Contact SIMER Customer Service. Sewage pumps that have seen service and been removed carry a contamination hazard with them.

If your sewage pump has failed:

- Wear rubber gloves when handling the pump;
- For warranty purposes, return the pump’s cord tag and original receipt of purchase to the retail store;
- Dispose of the pump according to local disposal ordinances.

Exceptions to the Twelve (12) Month Limited Warranty

Product	Warranty Period
BW85P, CM10, CMK, M40, M40P	90 days
2300, 2310, 2330, 2520ULST, 2943, 2955, 2956, 2957, 2960, 5023SS, A5500	2 Years
4” Submersible Well Pumps, 2945, 2958, 2975PC, 2985, 3075SS, 3983, 3984	3 Years
Pre-Charge Water System Tank, 3985, 3986	5 Years
3963, 3988, 3995, 3997	Lifetime

General Terms and Conditions

You must pay all labor and shipping charges necessary to replace product covered by this warranty. This warranty does not apply to the following: (1) acts of God; (2) products which, in SIMER’s sole judgement, have been subject to negligence, abuse, accident, misapplication, tampering, or alteration; (3) failures due to improper installation, operation, maintenance or storage; (4) atypical or unapproved application, use or service; (5) failures caused by corrosion, rust or other foreign materials in the system, or operation at pressures in excess of recommended maximums.

This warranty sets forth SIMER’s sole obligation and purchaser’s exclusive remedy for defective products.

SIMER SHALL NOT BE LIABLE FOR ANY CONSEQUENTIAL, INCIDENTAL, OR CONTINGENT DAMAGES WHATSOEVER. THE FOREGOING WARRANTIES ARE EXCLUSIVE AND IN LIEU OF ALL OTHER EXPRESS AND IMPLIED WARRANTIES, INCLUDING BUT NOT LIMITED TO THE IMPLIED WARRANTIES OF MERCHANTABILITY AND FITNESS FOR A PARTICULAR PURPOSE. THE FOREGOING WARRANTIES SHALL NOT EXTEND BEYOND THE DURATION PROVIDED HEREIN.

Some states do not allow the exclusion or limitation of incidental or consequential damages or limitations on how long an implied warranty lasts, so the above limitations or exclusions may not apply to You. This warranty gives You specific legal rights and You may also have other rights which vary from state to state.

SIMER • 293 Wright St., Delavan, WI U.S.A. 53115
Phone: 1-800-468-7867 / 1-800-546-7867 • Fax: 1-800-390-5351
Web Site: <http://www.simerpumps.com>

DESCRIPTION

Cette pompe de puisard submersible est conçue pour les puisards domestiques. Elle est munie d'une fiche à trois broches dont une de mise à la terre. Le moteur à bague de déphasage est rempli d'huile et étanche, ce qui lui permet de fonctionner en chauffant moins. Les paliers de l'arbre du moteur ne requièrent aucun graissage. La pompe comporte également une protection contre les surcharges thermiques. Elle n'est pas conçue pour vider les piscines.

CARACTÉRISTIQUES

Courant d'alimentation requis115 V, 60 Hz

Gammes de températures

du liquide.....de 0 à -21 °C (32 °F à 70 °F)

Circuit de dérivation individuel requis

(minimum).....15 ampères

Refolement:

Modèles Plastiques...1-1/4 po FNPT / 1-1/2 po MNPT

Modèles en Fonte.....1-1/2 po FNPT

REMARQUE : S'assurer que le diamètre du tuyau de refolement est d'au moins 3,2 cm. Si le refolement est trop petit, il y aura surchauffement et panne prématurée de la pompe.

Ne pomper que de l'eau avec cette pompe.

REMARQUE : Cette pompe n'est pas conçue pour être utilisée en tant que pompe de fontaine ou de chute d'eau ni dans des eaux salées ou de saumure! Son utilisation avec une chute d'eau, une fontaine, de l'eau salée ou de saumure annulera la garantie.

Ne pas utiliser où de l'eau recircule.

Cette pompe n'est pas conçue pour vider les piscines.

RENDEMENT

LITRES PAR HEURE À LA HAUTEUR TOTALE DE REFOULEMENT EN METRES					
Modèle	Puiss.	1,5 m	3 m	4,6 m	Aucun débit à la hauteur suivante
		(5 pi)	(10 pi)	(15 pi)	
VOLUME LITRES (GL)/HEURE					
2943	1/3	10 448 (2760)	8 176 (2160)	5 337 (1410)	6,1 m (20 pi)
2956	1/3	10 599 (2800)	8 328 (2200)	5 299 (1400)	6,1 m (20 pi)
2945	1/2	12 113 (3200)	10 220 (2700)	7 571 (2000)	7,3 m (24 pi)
2958					

CARACTÉRISTIQUES ÉLECTRIQUES ET DE COMMUTATION

Modèle	Puiss.	Charge complète moteur Amp	Circuit de dérivation individuel requis en ampères	Réglage de l'interrupteur en mm (po)	
				Marche	Arrêt
2943	1/3	9,0	15	330 (13)	152 (6)
2945	1/2	5,5	15	330 (13)	152 (6)
2956	1/3	9,0	15	203 (8)	76 (3)
2958	1/2	6,0	15	203 (8)	76 (3)

RENSEIGNEMENTS CONCERNANT LES CONSIGNES DE SÉCURITÉ GÉNÉRALES

Si elle est bien installée, bien entretenue et bien utilisée, une électropompe assure de nombreuses années de service sans entretien. Toutefois, toutes circonstances inhabituelles (interruption du courant alimentant la pompe, saletés ou débris dans le puisard, débits de crue dépassant la capacité de la pompe, panes électriques ou mécaniques de la pompe, etc.) peuvent empêcher la pompe de fonctionner normalement. Pour empêcher les dégâts causés par l'eau suite à une inondation, s'adresser au détaillant sur la possibilité de poser une deuxième pompe de puisard fonctionnant sur le courant alternatif ou une pompe de secours fonctionnant sur le courant continu et/ou une alarme de niveau élevé d'eau. Se reporter au «Tableau de recherche des pannes» de ce Manuel pour plus de renseignements concernant les problèmes courants des pompes de puisard et leurs remèdes. Pour de plus amples renseignements, s'adresser au détaillant ou appeler le service à la clientèle en composant le 1 800 468-7867.

1. Avant tout, il faut connaître les applications de la pompe, ces limites et les dangers potentiels que présente son utilisation.
2. **Ne pas utiliser pour pomper de l'eau dans laquelle se trouvent des poissons. Une fuite d'huile provenant du moteur pourrait tuer les poissons.**
3. Avant d'intervenir sur la pompe, couper le courant.
4. Dissiper toute la pression du circuit d'eau avant d'intervenir sur un des éléments de la pompe.
5. Vidanger l'eau du circuit avant d'intervenir sur la pompe.
6. Bien immobiliser la canalisation de refolement avant de faire fonctionner la pompe. Une canalisation de refolement non immobilisée risque de se déplacer comme un fouet et de causer des blessures corporelles et/ou des dommages matériels.
7. Avant chaque utilisation, s'assurer que les tuyaux souples ne comportent pas de points faibles ni de parties usées et que tous les raccords sont bien serrés.
8. Périodiquement, inspecter la pompe et tous les éléments de l'ensemble. Procéder à un entretien périodique selon le besoin.
9. Prévoir un moyen de dissiper la pression des pompes dont la canalisation de refolement peut être fermée ou obstruée.
10. Sécurité personnelle :
 - a. Lorsque l'on intervient sur une pompe, toujours porter des lunettes de sécurité.
 - b. Toujours garder la zone de travail propre, dégagée et bien éclairée – Enlever tous les outils et tout l'équipement inutiles.
 - c. Les visiteurs doivent se tenir à une distance sécuritaire de la zone de travail.
 - d. Poser des cadenas pour s'assurer que les enfants ne pourront pas pénétrer dans l'atelier de travail. Poser aussi un interrupteur général et enlever les clés des démarreurs.
11. Lorsque l'on câble une pompe électrique, observer tous les codes de sécurité et de l'électricité applicables.
12. **Cet équipement ne fonctionne que sur le courant 115 volts (monophasé) et est muni d'un cordon d'alimentation approuvé à 3 conducteurs et d'une fiche à 3 broches dont une de mise à la terre.**

⚠ AVERTISSEMENT Avant d'intervenir sur la pompe et pour minimiser les risques de chocs électriques, débrancher la pompe de la prise de courant. Aucune étude n'a été faite pour savoir si cette pompe pouvait être utilisée aux alentours des piscines. Cette pompe est livrée avec un conducteur et une fiche comportant une broche de mise à la terre. Ne brancher cette fiche que dans une prise de courant adéquatement mise à la terre. Au cas où l'installation ne comporterait que des prises de courant à 2 trous, remplacer la prise dans laquelle la fiche sera branchée par une prise de courant à 3 trous adéquatement mise à la terre et posée conformément aux Codes et aux décrets applicables.

13. Tout le câblage doit être exécuté par un électricien qualifié.
14. S'assurer que la source du courant est conforme aux caractéristiques de l'équipement.
15. Protéger le cordon électrique contre les objets tranchants, les surfaces chaudes, l'huile et les produits chimiques. Éviter de nouer le cordon. Remplacer immédiatement le cordon s'il est endommagé ou usé.
16. Ne pas toucher le moteur de la pompe pendant qu'il fonctionne. Les moteurs peuvent fonctionner par les températures élevées.
17. Ne pas manipuler la pompe ni le moteur de la pompe lorsqu'on a les mains humides ou lorsqu'on se tient debout sur une surface mouillée, humide ou dans l'eau.

⚠ AVERTISSEMENT Tension dangereuse. Risque de secousses, de brûlures, voire de mort. Si le sol du sous-sol est humide ou couvert d'eau, ne pas marcher sur cette surface humide tant que toute l'alimentation en courant électrique n'a pas été interrompue. Si le sectionneur principal se trouve au sous-sol, appeler la compagnie qui fournit l'électricité pour lui demander d'interrompre le service parvenant à la maison ou appeler le service d'incendie local pour plus de renseignements. Déposer la pompe, la réparer ou la remplacer. On risque d'être mortellement électrocuté si l'on n'observe pas cet avertissement. Ne pas lever la pompe par son cordon électrique.

INSTALLATION DE L'INTERRUPTEUR À FLOTTEUR

Certains modèles équipés d'un interrupteur vertical nécessitent un peu de montage. Se reporter à la page 10 pour les instructions concernant l'interrupteur. Les modèles équipés d'interrupteurs à flotteur à tige sont prêts à être utilisés.

INSTALLATION

1. Dans le cas de modèles équipés d'un interrupteur vertical, installer la pompe dans un puisard ayant un diamètre minimum de 25,4 cm (10 pouces) et dans un puisard ayant un diamètre minimum de 35,6 cm (14 pouces) dans le cas des pompes équipées d'un interrupteur à flotteur à cordon. Le puisard doit avoir une profondeur minimum de 40,6 cm (16 po) dans le cas des modèles à cordon et de 25,4 cm (10 po) dans le cas des modèles à interrupteur à flotteur vertical. Le puisard peut être construit avec un tuyau en ciment, du béton, en acier ou du plastique. Consulter les codes municipaux pour connaître le matériau approuvé et pour procéder adéquatement à l'installation.
2. Installer la pompe dans le puisard de façon que le mécanisme actionnant l'interrupteur puisse avant le plus grand dégagement possible.
3. Il ne faut pas poser la pompe sur une surface en argile, en terre ou sablonneuse. Enlever les petites

pierres et le gravier du puisard qui risqueraient de boucher la pompe. La crépine d'admission d'eau de la pompe doit toujours être dégagée.

NOTA : Ne pas utiliser de pâte à joint ordinaire pour tuyaux filetés sur les tuyaux en plastique car cette pâte attaque les plastiques.

4. Poser la tuyauterie de refoulement. Utiliser des tuyaux en plastique rigide et envelopper les filets de ruban d'étanchéité en téflon. Visser bien serré le tuyau à la main dans la pompe, puis le visser de 1-1/2 tour supplémentaire.

⚠ ATTENTION Risque d'inondation. Si l'on utilise un tuyau de refoulement souple, s'assurer que la pompe est bien immobilisée dans le puisard pour empêcher qu'elle se déplace. Si la pompe n'est pas bien immobilisée, elle risque de se déplacer, l'interrupteur risque de se coincer et d'empêcher la pompe de démarrer ou de s'arrêter.

5. Pour minimiser le bruit du moteur et les vibrations, un petit morceau de tuyau en caoutchouc (de 4,76 cm [1-7/8 po] de dia. int., une durite de radiateur, par exemple) peut être posé sur la conduite de refoulement à l'aide de colliers, près de la pompe.
6. Poser le clapet antiretour en ligne ou un clapet antiretour logé dans la pompe pour empêcher l'eau de retomber dans la pompe lorsqu'elle est arrêtée.

NOTA : Si le clapet de non-retour ne comporte pas un trou de purge d'air pour empêcher les bouchons d'air dans la pompe, percer un trou de 3,2 mm (1/8 de po) dans le tuyau de refoulement, juste au-dessus où le tuyau de refoulement se visse dans le refoulement de la pompe. S'assurer que le trou est sous le niveau de l'eau et le clapet de non-retour pour empêcher la formation de bouchons d'air.

7. Courant électrique : La pompe est conçue pour fonctionner sur le courant électrique de 115 V, 60 Hz, et elle doit être branchée sur un circuit de dérivation individuel d'au moins 15 ampères. La pompe et l'interrupteur sont livrés avec des cordons électriques à 3 conducteurs et des fiches avec broches de terre. La fiche de l'interrupteur se branche directement dans la prise de courant et la fiche du cordon de la pompe se branche à l'arrière de la fiche de l'interrupteur.

⚠ AVERTISSEMENT La pompe doit toujours être raccordée à la terre, sur un tuyau d'eau mis à la terre, une canalisation métallique adéquatement mise à la terre ou un circuit électrique adéquatement mis à la terre, par exemple. Ne jamais couper la broche ronde de mise à la terre de la fiche.

8. Si la conduite de refoulement de la pompe est exposée aux températures de congélation extérieures, la partie exposée doit être installée de façon que l'eau restant dans le tuyau puisse se vidanger en retombant par gravité. Si l'on ne respecte pas cette recommandation, l'eau emprisonnée dans la conduite de refoulement risque de geler et la pompe risque d'être endommagée.
9. Après avoir installé la tuyauterie, le clapet antiretour et l'interrupteur à flotteur, la pompe est prête à fonctionner.
10. Vérifier le fonctionnement de la pompe en remplissant le puisard d'eau, puis observer le fonctionnement de la pompe sur un cycle complet. Pour connaître les réglages de l'interrupteur, se reporter au tableau de la page 8 intitulé « Caractéristiques électriques et de l'interrupteur ».

TM E.I. DuPont De Nemours and Company Corporation, Delaware.

⚠ AVERTISSEMENT Ne pas procéder à cette vérification de fonctionnement si le risque de causer un mauvais fonctionnement, une panne prématurée, voire une inondation.

FUNCTIONNEMENT

⚠ AVERTISSEMENT Risque de secousses électriques. Ne pas toucher à la pompe ni au moteur de la pompe lorsqu'on a les mains humides ou lorsqu'on se tient debout sur une surface mouillée, humide ou dans l'eau.

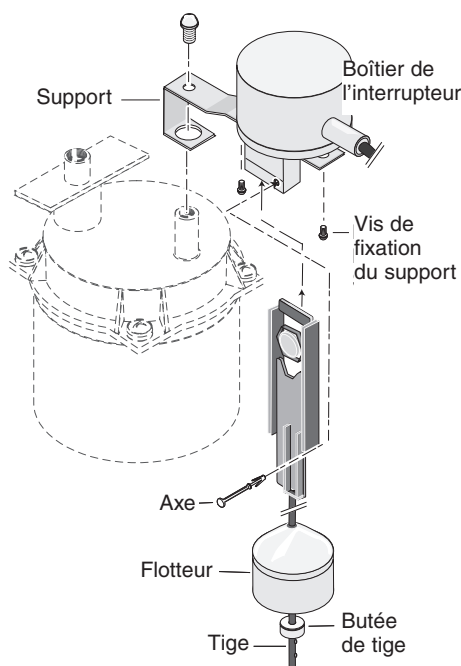
1. Le joint de l'arbre dépend de l'eau pour son graissage. Ne pas utiliser la pompe si elle n'est pas immergée dans l'eau, sinon son joint sera endommagé si la pompe fonctionne à sec.
2. Le moteur est équipé d'un protecteur thermique à réarmement automatique. Si la température devait s'élever anormalement, le disjoncteur interrompra automatiquement l'arrivée de courant avant que le moteur soit endommagé. Lorsque le moteur aura suffisamment refroidi, le disjoncteur se réarmera automatiquement et le moteur redémarrera. Si le protecteur se déclenche constamment, sortir la pompe du puisard et en déterminer la cause. Une basse tension, des cordons prolongateurs trop

longs, un impulseur bouché, une hauteur de refoulement très basse ou un tuyau de refoulement bouché ou gelé, etc. risquent de causer un fonctionnement intermittent.

3. La pompe n'aspire pas toute l'eau. Si on fait fonctionner la pompe manuellement, et que brusquement l'eau ne coule plus par son tuyau de refoulement, arrêter immédiatement la pompe. Le niveau de l'eau est probablement très bas et la pompe s'est désamorcée.

⚠ AVERTISSEMENT Risque de chocs électriques. Avant de vérifier pourquoi cette pompe a cessé de fonctionner, interrompre le courant parvenant à la pompe.

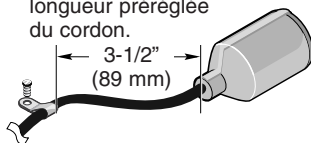
Interrupteur vertical



- ① Monter le support dans le boîtier de l'interrupteur.
 - ② Glisser le flotteur, puis la butée sur la tige après la deuxième pointe.
 - ③ Introduire la tige dans le boîtier de l'interrupteur, puis le verrouiller en place avec l'axe.
- NOTA :** S'assurer que l'axe retient bien la tige dans le boîtier de l'interrupteur, sinon la pompe ne s'arrêtera pas.
- ④ Attacher l'interrupteur sur la pompe, comme il est illustré.

Interrupteur à flotteur à cordon

Ne pas modifier la longueur prééglée du cordon.



NOTA : Pour les modèles 2956 et 2958, se reporter aux instructions incluses avec l'interrupteur de rechange, numéro de pièce FPS17-66.

MODÈLES PLASTIQUES

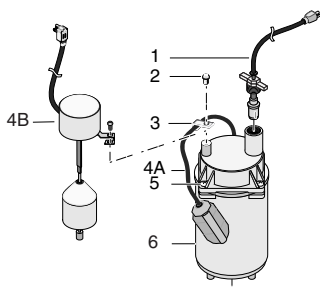
2943

2945

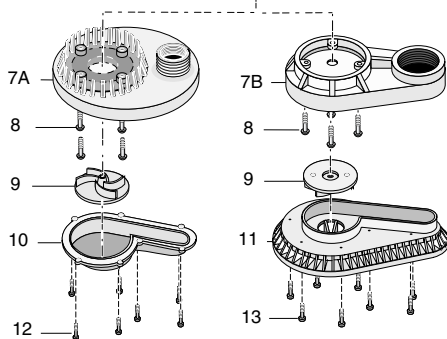
MODÈLES EN FONTE

2956

2958



Modèle	Impulseur	Cordon d'alimentation
2943	PS5-271P	PS117-54-TSU
2945	RP0000911A	PS117-54-TSU
2956	PS5-272P	PS117-54-TSU
2958	PS5-20P	PS117-53-TSU



287 0295 FP

Réf.	Désignation	Qté	2943 2945	2956 2958
1	Ensemble de cordon électrique	1	Voir tableau	Voir tableau
2	Vis à tête de collier cordon	1	U30-955PS	U30-955PS
3	Collier cordon de interrupteur à flotteur	1	CC0030-13	-
4A	Interrupteur à flotteur à cordon	1	FP18-15BD	-
4B	Interrupteur à flotteur vertical	1	-	FPS17-66
5	Vis à tête hexagonale n° 8-32 x 7/8 de pouce	4	U30-951PS	U30-951PS
6	Moteur	1	**	**
7A	Volute (supérieure)	1	PS1-31P	-
7B	Volute (supérieure)	1	-	PS1-24B
8	Vis à tête cylindrique à empreinte cruciforme n° 8-32 x 5/8 de pouce	4	U30-912PS	U30-912PS
9	Impulseur	1	Voir tableau	Voir tableau
10	Volute (inférieure)	1	PS1-30P	-
11	Plaque de base	-	-	PS4-18P
12	Vis à tête cylindrique n° 8-16 x 1/2 po de long	7	U30-956MG	-
13	Vis à tête cylindrique à empreinte cruciforme n° 8-32 x 1/2 de pouce	8	-	U30-571BT

** Si le moteur tombe en panne. Replacer la pompe.

LOCALISATION DES PANNES

Symptôme	Cause(s) probable(s)	Mesure corrective
La pompe ne démarre pas ou ne tourne pas.	La pompe n'est pas branchée. Niveau d'eau trop bas. Fusible fondu. Basse tension de la ligne. Moteur défectueux. Interrupteur du moteur défectueux. Roue motrice. Entrave trop longue. Obstruction du flotteur.	S'assurer que la pompe est branchée dans une prise de courant adéquate. L'interrupteur de la pompe ne se déclenche pas si l'eau ne recouvre pas la partie supérieure de la pompe. Si le fusible est fondu, remplacer par le calibre qui convient. Si la tension est au-dessous du minimum recommandé, vérifier la force du câblage provenant de l'interrupteur général de l'habitation. S'il n'y a pas de problème, contacter la Compagnie d'électricité ou les services hydro-électriques. Remplacer la pompe. Remplacer l'interrupteur du moteur. Si la roue refuse de tourner, déposer la partie inférieure de la pompe et cherche la cause du blocage. Raccourcir l'entrave. Dégager le mouvement du flotteur.
La pompe démarre et s'arrête trop souvent.	Reflux du liquide dans la pompe. Interrupteur du flotteur défectueux.	Installer un clapet de retenue. Remplacer l'interrupteur du flotteur.
La pompe refuse de s'arrêter.	Interrupteur du flotteur défectueux. Diminution du refoulement (obstruction ou glace dans la tuyauterie) Entrave trop longue. Obstruction du flotteur. La crépine d'aspiration est obstruée.	Remplacer l'interrupteur du flotteur. Déposer la pompe et nettoyer la pompe et la canalisation. Raccourcir l'entrave. Dégager le mouvement du flotteur. Déposer la pompe et nettoyer la crépine d'aspiration ainsi que l'impulseur.
La pompe fonctionne mais elle ne délivre pas ou peu d'eau.	Basse tension de la ligne. Quelque chose bloque la rouemotrice. Pièces usées ou défectueuses, ou roue motrice obstruée. Clapet de retenue installé sansorifice de ventilation. La crépine d'aspiration est obstruée. Le clapet antiretour est installé à l'envers.	Si la tension est au-dessous du minimum recommandé, vérifier la force du câblage provenant de l'interrupteur général de l'habitation. S'il n'y a pas de problème, contacter la Compagnie d'électricité. Démonter la pompe et nettoyer l'impulseur. Nettoyer la roue motrice si elle est obstruée ; autrement, remplacer la pompe. Percer un trou de 1,6 à 3,2 mm (de 1/16 à 1/8 po) de diamètre entre le refoulement de la pompe et le clapet de retenue (Entre 2,5 et 5 cm (1 à 2 po) au-dessus des filets du tuyau de refoulement qui se visse dans le refoulement de la pompe, et sous le niveau de l'eau. Déposer la pompe et nettoyer la crépine d'aspiration ainsi que l'impulseur. S'assurer que le clapet antiretour est installé correctement.

CONSERVER L'ORIGINAL DU REÇU POUR TOUTE RÉFÉRENCE ULTÉRIEURE.**GARANTIE LIMITÉE**

SIMER garantit à l'acheteur/au consommateur d'origine (l'Acheteur) que ses produits sont exempts de tout vice de matériau et de fabrication. Cette garantie est valable pendant douze (12) mois à partir de la date d'achat d'origine.

Si, dans les douze (12) mois suivant la date d'achat d'origine, un produit se révèle défectueux, il sera réparé ou remplacé, à la discrétion de SIMER, conformément aux modalités et conditions exposées ci-dessous. Le reçu de l'achat d'origine et l'étiquette d'information sur la garantie sont requis pour déterminer la recevabilité de la réclamation au titre de la garantie. La recevabilité de la réclamation se base sur la date de l'achat d'origine du produit, et non sur la date d'un éventuel remplacement sous garantie. La garantie est limitée à la réparation ou au remplacement du produit uniquement. L'Acheteur assume les frais de retrait, d'installation, de transport et tous les frais accessoires.

Pour obtenir des pièces ou de l'aide technique, NE PAS retourner le produit au détaillant. Contacter le service à la clientèle de SIMER au 1-800-468-7867 / 1-800-546-7867.

Les réclamations au titre de cette garantie doivent être effectuées en retournant le produit (à l'exception des pompes d'eau d'égout, voir ci-dessous) au détaillant où il a été acheté, et ce, immédiatement après la découverte de la défaillance supposée. SIMER prendra les mesures correctives nécessaires dans un délai rapide et raisonnable. Aucune demande de réparation ne sera acceptée plus de 30 jours après l'expiration de la garantie.

POMPES D'EAUX D'ÉGOUT

NE PAS RETOURNER une pompe d'eaux d'égout (qui a été installée) au détaillant. Communiquer avec le service à la clientèle de SIMER. Les pompes d'eaux d'égout qui ont été utilisées, puis retirées présentent un risque de contamination.

En cas de défaillance de la pompe d'eaux d'égout :

- Porter des gants en caoutchouc pour manipuler la pompe.
- À des fins de garantie, retourner l'étiquette figurant sur le cordon de la pompe et l'original du reçu au détaillant.
- Mettre la pompe au rebut conformément à la réglementation locale.

Exceptions à la garantie limitée de douze (12) mois

Produit	Période de garantie
BW85P, CM10, CMK, M40, M40P	90 jours
2300, 2310, 2330, 2520ULST, 2943, 2955, 2956, 2957, 2960, 5023SS, A5500	2 ans
Pompe pour puits submersibles de 4 pouces, 2945, 2958, 2975PC, 2985, 3075SS, 3983, 3984	3 ans
Réservoir préchargé de système d'eau, 3985, 3986,	5 ans
3963, 3988, 3995, 3997	À vie

Modalités et conditions générales

L'Acheteur doit payer tous les frais de main d'œuvre et de transport nécessaires au remplacement du produit garanti couvert par cette garantie. Cette garantie ne s'applique pas à ce qui suit : (1) Les catastrophes naturelles; (2) Les produits qui, selon SIMER, ont fait l'objet d'une négligence, d'une utilisation abusive, d'un accident, d'une mauvaise application ou d'une altération; (3) Les défaillances dues à une installation, une utilisation, un entretien ou un entreposage inappropriés; (4) Une application, une utilisation ou une réparation atypique ou non approuvée; (5) Les défaillances causées par la corrosion, la rouille ou d'autres matériaux étrangers au système, ou par une utilisation à une pression supérieure au maximum recommandé.

Cette garantie établit la responsabilité unique de SIMER et le recours exclusif de l'Acheteur en cas de produit défectueux.

SIMER NE POURRA ÊTRE TENUE RESPONSABLE DE TOUT DOMMAGE INDIRECT OU CONSÉCUTIF QUEL QU'IL SOIT.

LES PRÉSENTES GARANTIES SONT EXCLUSIVES ET REMPLACENT TOUTE AUTRE GARANTIE EXPRESSE OU IMPLICITE, Y COMPRIS, MAIS SANS S'Y LIMITER, CELLE DE QUALITÉ MARCHANDE OU D'APTITUDE DU PRODUIT À UN EMPLOI PARTICULIER. LES PRÉSENTES GARANTIES NE PEUVENT SE PROLONGER AU-DELÀ DE LA PÉRIODE DE GARANTIE INDIQUÉE ICI.

Certains États ne permettent pas l'exclusion ou la limitation des dommages indirects ou consécutifs, ni les limitations relatives à la durée des garanties implicites. Par conséquent, il se peut que les limitations ou les exclusions ci-dessus ne s'appliquent pas. Cette garantie procure des droits juridiques précis à l'Acheteur. Cependant, il est possible de bénéficier d'autres droits, qui varient selon l'État.

SIMER • 293 Wright St., Delavan, WI U.S.A. 53115

Téléphone : 1 800 468-7867 / 1 800 546-7867 • Télécopieur : 1 800 390-5351

Courriel : info@simerpumps.com • Site Web : http://www.simerpumps.com

DESCRIPCION

Esta Bomba Sumergible de Sumidero ha sido diseñada para sumideros domésticos. La unidad viene equipada con un cordón eléctrico de tipo puesta a tierra, con tres puntas. El motor monofásico de inducción está lleno de aceite y viene cerrado herméticamente para una operación más fría. Los cojinetes de manguito en el eje del motor nunca necesitan lubricación. Protección de reposición térmica automática. No se ha diseñado para usar como bomba de desagüe para piscinas de natación.

ESPECIFICACIONES

Fuente de alimentación115 V, 60 Hz

Gama de la Temperatura

del Líquido.....0°-21°C (32°F a 70°F)

Requiere un ramal individual (mínimo).....15 Amps

Tubería de Descarga:

Modelo de Plastico1-1/4" FNPT / 1-1/2" FNPT

Modelo de Hierro Forjado.....1-1/2" FNPT

AVISO: No reduzca el tamaño de la tubería o de la manguera de descarga a un diámetro menor de 1-1/4".

Si la descarga es demasiado pequeña, la bomba se recalentará y fallara prematuramente.

Bombear solamente agua con esta bomba.

AVISO: Este aparato no está diseñado como bomba de cascada o fuente, ni para aplicaciones con agua salada o de mar. El uso con cascadas, fuentes, agua salada o de mar anulará la garantía.

No usar en donde hay recirculación de agua.

No ha sido diseñado para usar como desagüador de piscinas de natación.

RENDIMIENTO

GPH (LPH) A ALTURA TOTAL EN PIES (M)					
Modelo	HP	1,5 m (5 pi)	3 m (10 pi)	4,6 m (15 pi)	Sin caudal en al altura indicada abajo
CAPACIDAD EN GALONES (l) POR HORA					
2943	1/3	10 448 (2760)	8 176 (2160)	5 337 (1410)	6,1 m (20 pi)
2956	1/3	10 599 (2800)	8 328 (2200)	5 299 (1400)	6,1 m (20 pi)
2945 2958	1/2	12 113 (3200)	10 220 (2700)	7 571 (2000)	7,3 m (24 pi)

ESPECIFICACIONES ELECTRICAS

Y DEL INTERRUPTOR

Modelo	HP	Amperios con el motor a plena carga	Require un ramal individual (amperios)	Ajuste del interruptor en pulgadas (mm)	
				Encendido	Apagado
2943	1/3	9,0	15	330 (13)	152 (6)
2945	1/2	5,5	15	330 (13)	152 (6)
2956	1/3	9,0	15	203 (8)	76 (3)
2958	1/2	6,0	15	203 (8)	76 (3)

INFORMACION GENERAL

SOBRE SEGURIDAD

Las bombas de sumidero eléctricas por lo regular duran muchos años sin sufrir problemas de servicio, cuando son instaladas, mantenidas y usadas correctamente. Sin embargo, las situaciones inusuales (interrupción del suministro eléctrico que va a la bomba, tierra o suciedad en el sumidero, inundación superior a la capacidad de la bomba, fallas eléctricas y mecánicas, etc.), pueden evitar que su bomba funcione como acostumbra. Para evitar posibles daños ocasionados por inundación de agua, consulte a su representante de ventas sobre la instalación de una bomba de sumidero con CA secundaria, una bomba de sumidero de respaldo con CD, y/o una alarma de alto nivel de agua. Consulte la "Tabla de solución de problemas" contenida en este manual para información sobre problemas comunes de la bomba de sumidero y soluciones. Para mayor información, visite a su representante de ventas o llame al Departamento de Servicio al Cliente 1-800-468-7867.

1. Infórmese sobre la aplicación, limitaciones y posibles riesgos de la bomba.
2. **No usar en agua en donde haya peces. Si hay una fuga de aceite del motor puede matar a los peces.**
3. Desconecte la energía eléctrica antes de efectuar reparaciones.
4. Alivie toda la presión dentro del sistema antes de reparar cualquier componente.
5. Drene toda el agua del sistema antes de efectuar reparaciones.
6. Asegure bien la tubería de descarga antes de poner en marcha la bomba. Una tubería de descarga que no esté bien segura puede moverse y causar lesiones personales y/o daños materiales.
7. Antes de cada uso, verifique si las mangueras están débiles o gastadas, asegurándose de que todas las conexiones estén firmes.
8. Inspeccione periódicamente el sumidero, la bomba y los componentes del sistema. Manténgala limpia de basuras y objetos extraños. Realice el mantenimiento de rutina como sea necesario.
9. Provea un medio de alivio de la presión para aquellas bombas cuya tubería de descarga puede bloquearse u obstruirse.
10. Seguridad Personal:
 - a. Use lentes protectores en todo momento cuando trabaje en la bomba.
 - b. Mantenga el lugar de trabajo limpio, despejado y debidamente iluminado - guarde todas herramientas y el equipo que no se use.
 - c. Mantenga a los visitantes a una distancia segura del lugar de trabajo.
 - d. Asegúrese de que su taller sea a prueba de niños - con candados, interruptores maestros y sacando las llaves del arrancador.
11. Cuando instale el cableado de una bomba accionada eléctricamente, siga todos los códigos eléctricos y de seguridad que correspondan.
12. **Esta bomba solamente se puede usar con corriente de 115 voltios (monofásica) y está equipado con un cordón aprobado de 3 conductores y 3 clavijas, del tipo de puesta a tierra.**

⚠ ADVERTENCIA Para reducir el riesgo de choque eléctrico, desenchufe la bomba antes de repararla. No se ha comprobado aún si esta bomba pueda ser usada en albercas. La bomba es suministrada con un conductor de puesta a tierra y un enchufe del tipo de puesta a tierra. Asegúrese de que sea conectado solamente a un tomacorriente puesto a tierra, del tipo de puesta a tierra.

- Si el tomacorriente mural es del tipo para 2 clavijas, éste debe ser reemplazado por un tomacorriente de 3 clavijas e instalado de acuerdo con los códigos y reglamentos que correspondan.
13. Todo el cableado debe ser efectuado por un electricista calificado.
 14. Asegúrese de que la fuente de alimentación cumple con los requisitos de su equipo.
 15. Proteja el cordón eléctrico contra objetos afilados, superficies calientes, aceite y productos químicos. Evite que se enrede. Reemplace o repare inmediatamente un cordón que esté dañado o gastado.
 16. No toque un motor cuando esté funcionando. Los motores pueden funcionar a temperaturas altas.
 17. No manipule la bomba o el motor de la bomba con las manos mojadas o cuando esté parado en suelo húmedo o mojado o en el agua.

⚠ ADVERTENCIA Tensión peligrosa. Puede causar choques eléctricos, quemaduras o muerte. Si su sótano tiene agua o humedad en el piso, no camine en el lugar mojado hasta que no haya cortado toda la energía eléctrica. Si la llave de paso está en el sótano, llame a la compañía eléctrica o a la compañía de electricidad para cortar el servicio a su casa o llame al departamento de bomberos de su localidad para solicitar instrucciones. Saque la bomba y repárela o reemplácela. El incumplimiento de esta advertencia puede resultar en un choque eléctrico mortal. No levante la bomba por medio del cordón de corriente.

INSTALACION DEL INTERRUPTOR DE FLOTADOR

Los modelos que están equipados con interruptores de flotador verticales necesitan una pequeña labor de montaje. Consulte las instrucciones del Ensamblaje del Interruptor en la página 16. Los modelos con conmutador a flotador anclado están listos para su uso.

INSTALACION

1. Instale la bomba en un foso de recogida con un diámetro mínimo de 10" (254 mm.) para los modelos con interruptores verticales y de 14" (356 mm.) para los modelos con interruptor de flotador anclado. La profundidad del sumidero debe ser de 16" (406 mm.) para los modelos anclados y de 10" (254 mm.) para los modelos con interruptores verticales. Construya el foso de recogida de losetas, hormigón, acero o plástico. Confirme los materiales aprobados y la instalación adecuada requeridos por las normas locales.
2. Instale la bomba en el pozo de manera que el mecanismo de operación del interruptor tenga el mayor juego posible.
3. La bomba no debe ser instalada en arcilla, tierra o superficies arenosas. Saque las piedritas y arenillas que puedan haber en el pozo del sumidero pues pueden obstruir la bomba. Mantenga limpio el filtro de admisión de la bomba.

AVISO: No use obturador de juntas de tubería en las tuberías de plástico. El obturador de juntas de tubería puede dañar el plástico.

4. Instale la tubería de descarga. Use tuberías de plástico rígido y envuelva las roscas con cinta de Teflón™. Enrosque la tubería en la bomba a mano, y después apriétela 1-1/2 vueltas.

⚠ CUIDADO Riesgo de inundación. Si se usa una manguera de descarga flexible, asegúrese de que la bomba esté bien inmobilizada para que no pueda moverse dentro del sumidero. Si la bomba no está bien firme puede moverse y causar interferencia con el interruptor e impedir que la bomba se ponga en marcha o se detenga.

5. Para reducir el ruido y las vibraciones del motor, se puede conectar un pedazo corto de manguera de goma de un diámetro exterior de 47,6 mm (1 7/8"), (por ej. manguera de radiador) a la tubería de descarga cerca de la bomba, utilizando abrazaderas convenientes.
6. Instale una válvula de retención en la línea o una válvula de retención dentro de la bomba para evitar que el flujo retroceda a través de la bomba cuando la bomba está apagada.

AVISO: Si su válvula de retención no viene equipada con un orificio de purga de aire para impedir la creación de bolsas de aire en la bomba, perforo un orificio de 1/8" (3.2 mm) en la tubería de descarga, justo por encima del punto en que la tubería de descarga se atornilla a la descarga de la bomba. Verifique que el orificio quede debajo de la línea de agua y de la válvula de retención para impedir la creación de bolsas de aire.

7. Fuente de Alimentación: La bomba está diseñada para funcionar con corriente de 115 V., 60 Hz. y requiere un ramal individual mínimo de 15 amps. Tanto la bomba como el interruptor vienen con juegos de cordones de 3 conductores con enchufes del tipo de puesta a tierra. El enchufe del interruptor se enchufa directamente en el tomacorriente y el enchufe de la bomba se enchufa en el extremo opuesto del enchufe del interruptor.

⚠ ADVERTENCIA La bomba siempre debe ser puesta a tierra en una tierra eléctrica adecuada tales como una tubería en el agua que esté puesta a tierra o un conducto metálico debidamente puesto a tierra o un sistema de alambre de puesta a tierra. No corte la clavija redonda de puesta a tierra.

8. Si la tubería de descarga de la bomba está expuesta a temperaturas exteriores inferiores al punto de congelación, la porción expuesta de la tubería debe ser instalada de manera que toda agua que quede en la tubería se drene por gravedad hacia la descarga. El incumplimiento de esto puede causar que el agua atrapada en la tubería de descarga se congele, lo cual podría resultar en daño para la bomba.
9. Después de haber instalado la tubería, la válvula de retención y el conmutador a flotador, la unidad está lista para funcionar.
10. Verifique el funcionamiento de la bomba llenando el sumidero con agua y observando el funcionamiento de la bomba por un ciclo completo. Para las graduaciones del interruptor, consulte el gráfico de "Especificaciones Eléctricas y del Interruptor" que aparece en la página 14.

⚠ ADVERTENCIA El incumplimiento de esta verificación del funcionamiento puede resultar en funcionamiento impropio, falla prematura e inundación.

™ E. I. DuPont De Nemours and Company Corporation, Delaware.

FUNCIONAMIENTO

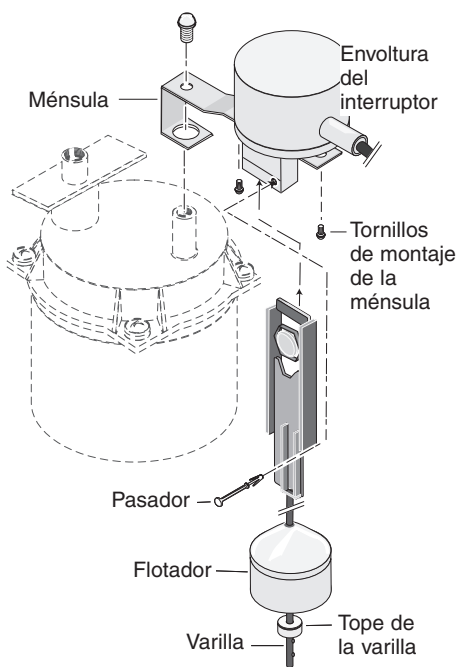
⚠ ADVERTENCIA **Riesgo de choque eléctrico. No manipule la bomba o el motor de la bomba con las manos mojadas o cuando esté parado en suelo húmedo, mojado o en el agua.**

1. La junta del eje depende del agua para su lubricación. No haga funcionar la bomba a menos que esté sumergida en agua ya que la junta puede dañarse si se hace trabajar en seco.
2. El motor está equipado con un protector contra sobrecargas térmicas de reposición automática. Si la temperatura en el motor se eleva indebidamente, el interruptor puede cortar toda la energía antes de que se produzca daño al motor. Cuando el motor se ha enfriado suficientemente, el interruptor se reposicionará automáticamente y el motor volverá a ponerse en marcha. Si el protector se desengancha en forma continua, la bomba debe ser sacada y revisada para verificar cual es el problema. Baja tensión, cables de alargue largos, impulsor atascado, muy baja altura de aspiración o elevación o una tubería de descarga tapada o congelada, etc. pueden hacer que se pase por el ciclo.

3. La bomba no saca toda el agua. La bomba no aspirará toda el agua. Si se está operando la bomba en forma manual y de repente no sale agua de la manguera de descarga, apague la unidad inmediatamente. Probablemente el nivel del agua es muy bajo y la unidad ha dejado de cebar.

⚠ ADVERTENCIA **Riesgo de choque eléctrico. Antes de intentar revisar porque la bomba ha dejado de funcionar, desconecte la energía eléctrica.**

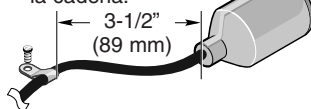
Unidad del interruptor vertical



- ① Coloque la ménsula sobre la envoltura del interruptor
- ② Deslice el flotador y luego el tope de vara por la vara pasando el segundo pico.
- ③ Introduzca la unidad de la varilla dentro de la envoltura del interruptor y trábela en posición con el pasador. **AVISO:** Asegúrese de que el pasador sostenga la varilla dentro de la envoltura del interruptor, de lo contrario la bomba no se apagará.
- ④ Fije el interruptor en la bomba según se ilustra.

Interruptor de flotador anclado

No cambie el largo predeterminado de la cadena.



AVISO: Para los Modelos 2956 y 2958, consulte las instrucciones incluidas con el interruptor de repuesto, Repuesto No. FPS17-66.

SERIE DE PLASTICO

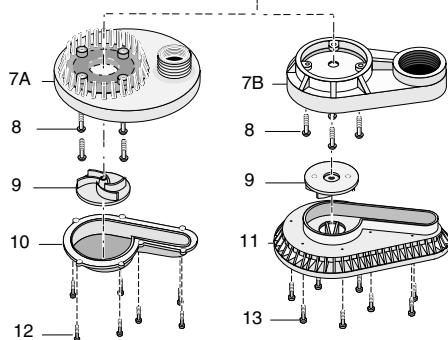
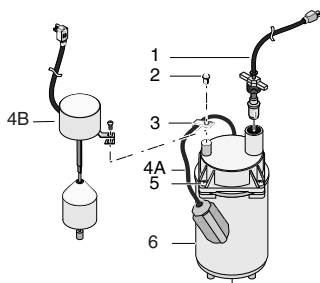
2943

2945

SERIES DE HIERRO FORJADO

2956

2958



287 0295 FP

Modelo	Impulsor	Cable de corriente
2943	PS5-271P	PS117-54-TSU
2945	RP0000911A	PS117-54-TSU
2956	PS5-272P	PS117-54-TSU
2958	PS5-20P	PS117-53-TSU

Ref.	Descripción	Cant.	2943 2945	2956 2958
1	Ensamblaje de cordón de corriente	1	Ver la tabla	Ver la tabla
2	Tornillo de abrazadera de cordón	1	U30-955PS	U30-955PS
3	Abrazadera de cordón del conmutador flotación	1	CC0030-13	-
4A	Unidad del interruptor de flotador anclado	1	FP18-15BD	-
4B	Unidad del interruptor de flotador vertical	1	-	FPS17-66
5	Tornillo, cabeza hexagonal, #8-32x7/8"	4	U30-951PS	U30-951PS
6	Motor	1	**	**
7A	Voluta (superior)	1	PS1-31P	-
7B	Voluta (superior)	1	-	PS1-24B
8	Tornillo, cabeza de cono achatado Phillips, #8-32x5/8"	4	U30-912PS	U30-912PS
9	Impulsor	1	Ver la tabla	Ver la tabla
10	Voluta (inferior)	1	PS1-30P	-
11	Placa de asiento	1	-	PS4-18P
12	Tornillo, cabeza grande de cono achatado, #8-16x1/2"	7	U30-956MG	-
13	Tornillo, cabeza de cono achatado, #8-32x1/2"	8	-	U30-571BT

**Si el motor está defectuoso. Reemplace la bomba.

GUÍA PARA LA RESOLUCIÓN DE PROBLEMAS

SÍNTOMA	CAUSA PROBABLE	MEDIDA CORRECTIVA
La bomba no arranca ni funciona.	La bomba no está enchufada. El nivel de agua está demasiado bajo. Un fusible se ha quemado. El voltaje de línea es demasiado bajo. El motor está defectuoso. El interruptor del flotante está defectuoso. El rodete no gira. El brazo del flotador es demasiado largo. El movimiento del flotante está obstruido.	Verifique que la bomba esté enchufada en un tomacorriente adecuado. El interruptor de la bomba no se conecta a menos que el agua cubra la parte superior de la bomba. Si el fusible está quemado, sustitúyalo con un fusible de la capacidad correcta. Si el voltaje está por debajo del mínimo recomendado verifique en el edificio el diámetro del alambre desde el interruptor principal. Si es el correcto, comuníquese con la empresa de electricidad o la autoridad hidroeléctrica. Reemplace la bomba. Reemplace el interruptor del flotante. Si el rodete no gira, saque el cuerpo inferior de la bomba y ubique el lugar donde el rodete se trava. Acorte el brazo del flotante. Retire las obstrucciones.
La bomba se pone en marcha y se detiene con demasiada frecuencia.	Hay retroceso de agua de la tubería. El interruptor del flotante está fallado.	Instale una válvula de retención. Reemplace el interruptor del flotante.
La bomba no se desconecta.	Interruptor defectuoso del flotante. Descarga obstruida (obstáculos o hielo en las tuberías). El brazo del flotante es demasiado largo. El movimiento del flotante está obstruido. Tamiz de admisión restringido.	Reemplace el interruptor del flotante. Retire la bomba y limpie la bomba y la tubería. Acorte el brazo del flotante. Retire las obstrucciones. Saque la bomba y limpie el tamiz de admisión y el impulsor.
La bomba funciona pero el caudal es reducido o nulo.	El voltaje de línea es baja. Algo se ha quedado trabado en el rodete. El rodete tiene piezas desgastadas o defectuosas. Válvula de retención instalada sin el orificio de purga. Tamiz de admisión restringido. Verifique que la válvula no esté instalada hacia atrás o invertida.	Si el voltaje es inferior al mínimo recomendado, verifique el diámetro del alambre que va desde el interruptor principal en el edificio. Si es el correcto comuníquese con la empresa de electricidad. Saque la bomba y limpie el impulsor. Limpie el rodete si está taponado, en caso contrario reemplace la bomba. Perfore un agujero de 1/16 a 1/8 pulg. (1,6 a 2 mm) de diámetro entre la descarga de la bomba y la válvula de retención (1-2" por encima del punto en que la tubería de descarga se atornilla a la descarga de la bomba y por debajo de la línea de agua). Saque la bomba y limpie el tamiz de admisión. Asegúrese de que la válvula de retención esté debidamente instalada.

GUARDE EL RECIBO ORIGINAL PARA CUALQUIER REFERENCIA POSTERIOR.

GARANTÍA LIMITADA

SIMER le garantiza al comprador consumidor original (el "Comprador" o "Usted") de sus productos, que éstos estarán libres de defectos en materiales y en mano de obra por un período de doce (12) meses, a partir de la fecha de la compra original del consumidor.

Si dentro de los doce (12) meses a partir de la fecha de la compra inicial del consumidor, se comprueba que cualquiera de esos productos es defectuoso, éste será reparado o reemplazado, a la discreción de SIMER, sujeto a los términos y a las condiciones indicadas a continuación. Se necesitará su recibo de compra original y la etiqueta de información sobre la garantía del producto, para determinar la admisibilidad de la garantía. La admisibilidad se basa en la fecha de compra del producto original - no en la fecha de reemplazo bajo la garantía. La garantía está limitada a la reparación o el reemplazo del producto solamente - El comprador pagará todos los costos de remoción, instalación, mano de obra y envío necesarios, así como todo costo adicional asociado.

Si necesita piezas o resolución de problemas, NO regrese el producto a la tienda minorista. Llame el Servicio a la Clientela de SIMER al 1-800-468-7867 / 1-800-546-7867.

Las reclamaciones bajo esta garantía se deberán realizar mediante la devolución del producto (excepto en el caso de las bombas cloacales, ver a continuación) a la tienda minorista en donde se haya adquirido, inmediatamente después de haber descubierto un supuesto defecto. SIMER entonces tomará la medida correctiva tan pronto como sea razonablemente posible. No se aceptarán solicitudes de servicio, si se reciben más de 30 días después del vencimiento de esta garantía.

BOMBAS CLOCALES

NO devuelva una bomba cloacal (que se haya instalado) a su tienda minorista. Comuníquese con el Departamento de Atención al Cliente de SIMER. Las bombas cloacales que hayan estado en servicio y se hayan removido pueden representar un peligro de contaminación.

Si su bomba cloacal ha fallado:

- Use guantes de caucho cuando manipule la bomba;
- Para los fines de la garantía, devuelva la etiqueta del cordón de la bomba y el recibo de compra original a la tienda minorista;
- Descarte la bomba cumpliendo con todas las normas locales que correspondan para su eliminación.

Excepciones para la Garantía Limitada de Doce (12) Meses

Producto	Período de garantía
BW85P, CM10, CMK, M40, M40P	90 días
2300, 2310, 2330, 2520ULST, 2943, 2955, 2956, 2957, 2960, 5023SS, A5500	2 años
Bombas de pozo sumergibles de 4", 2945, 2958, 2975PC, 2985, 3075SS, 3983, 3984	3 años
Tanque precargado del sistema de agua, 3985, 3986	5 años
3963, 3988, 3995, 3997	De por vida

Términos y condiciones generales

Usted deberá pagar por todos los gastos de mano de obra y de envío necesarios para reemplazar el producto cubierto por esta garantía. Esta garantía no se aplicará en las siguientes situaciones: (1) caso de fuerza mayor (2) productos que, a sólo juicio de SIMER hayan sido sometidos a negligencia, abuso, accidente, mala aplicación, manejo indebido o alteraciones; (3) fallas debido a instalación, operación, mantenimiento o almacenamiento inadecuados; (4) aplicaciones, usos o servicios que no sean normales o aprobados; (5) fallas provocadas por corrosión, herrumbre u otros materiales extraños en el sistema, o una operación a presiones que excedan los máximos recomendados.

Esta garantía establece la única obligación de SIMER y el recurso exclusivo del Comprador con respecto a los productos defectuosos.

SIMER NO SE HARÁ RESPONSABLE DE NINGÚN DAÑO CONSECUENTE, INCIDENTAL O CONTINGENTE.

LAS GARANTÍAS QUE ANTECEDEN SON EXCLUSIVAS Y REEMPLAZAN TODA OTRA GARANTÍA EXPLÍCITA O IMPLÍCITA, INCLUYENDO PERO SIN LIMITARSE A LAS GARANTÍAS IMPLÍCITAS DE COMERCIABILIDAD E IDONEIDAD PARA UN FIN ESPECÍFICO. LAS GARANTÍAS QUE ANTECEDEN NO SE EXTENDERÁN MÁS ALLÁ DE LA DURACIÓN PROVISTA EN LA PRESENTE.

Algunos Estados no permiten la exclusión o limitación de daños incidentales o consecuentes o de limitaciones de tiempo sobre garantías implícitas, de modo que es posible que las limitaciones o exclusiones que preceden no correspondan en su caso. Esta garantía le otorga derechos legales específicos y es posible que Usted también tenga otros derechos que pueden variar de un Estado al otro.

SIMER • 293 Wright St., Delavan, WI U.S.A. 53115

Teléfono: 1-800-468-7867 / 1-800-546-7867 • Fax: 1-800-390-5351

E-Mail: info@simerpumps.com • Sitio Web: http://www.simerpumps.com

